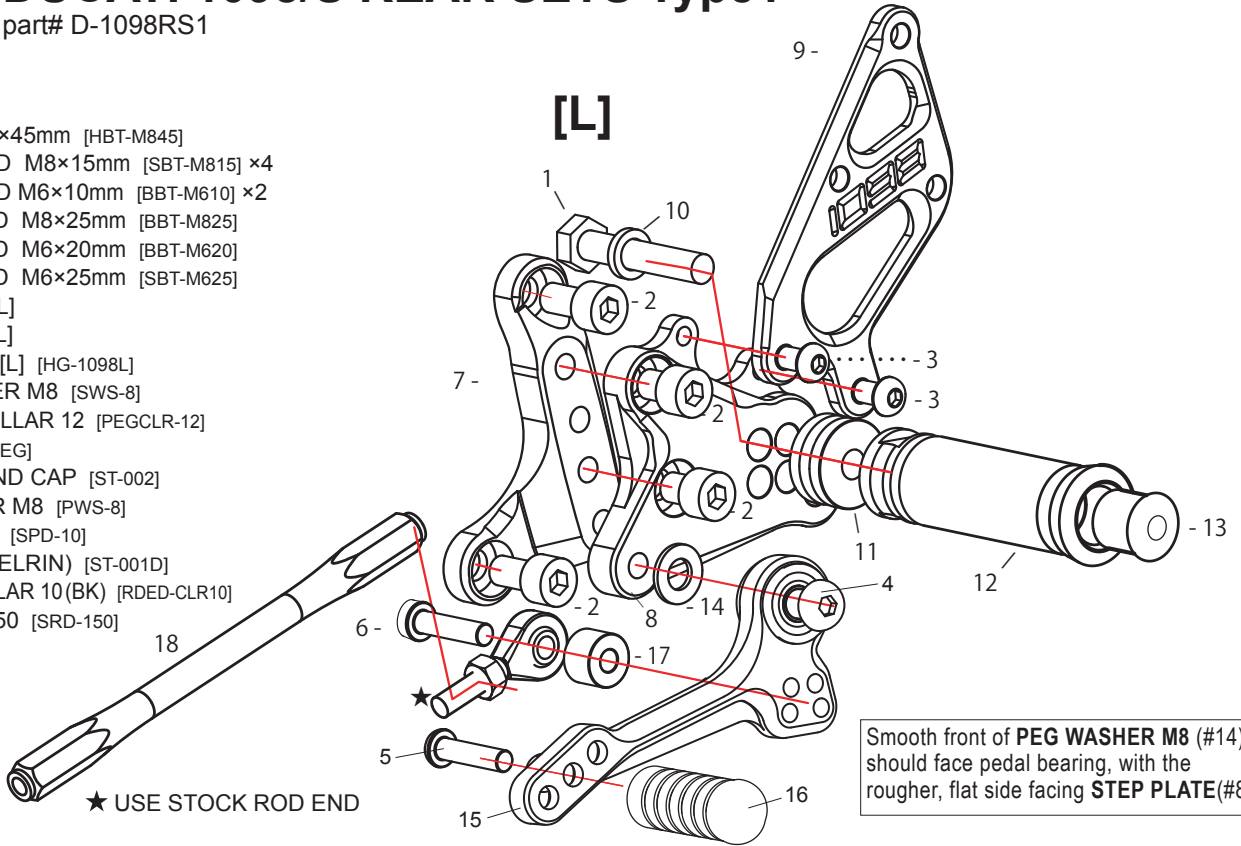


DUCATI 1098/S REAR SETS Type1

part# D-1098RS1

[L]-SIDE

1. HEX BOLT M8×45mm [HBT-M845]
2. SOCKET HEAD M8×15mm [SBT-M815] ×4
3. BUTTON HEAD M6×10mm [BBT-M610] ×2
4. BUTTON HEAD M8×25mm [BBT-M825]
5. BUTTON HEAD M6×20mm [BBT-M620]
6. SOCKET HEAD M6×25mm [SBT-M625]
7. BASE PLATE [L]
8. STEP PLATE [L]
9. HEEL GUARD [L] [HG-1098L]
10. SPLIT WASHER M8 [SWS-8]
11. FOOT PEG COLLAR 12 [PEGCLR-12]
12. FOOT PEG [PEG]
13. FOOT PEG END CAP [ST-002]
14. PEG WASHER M8 [PWS-8]
15. SHIFT PEDAL [SPD-10]
16. PEDAL TIP (DELRIN) [ST-001D]
17. ROD END COLLAR 10 (BK) [RDED-CLR10]
18. SHIFT ROD 150 [SRD-150]

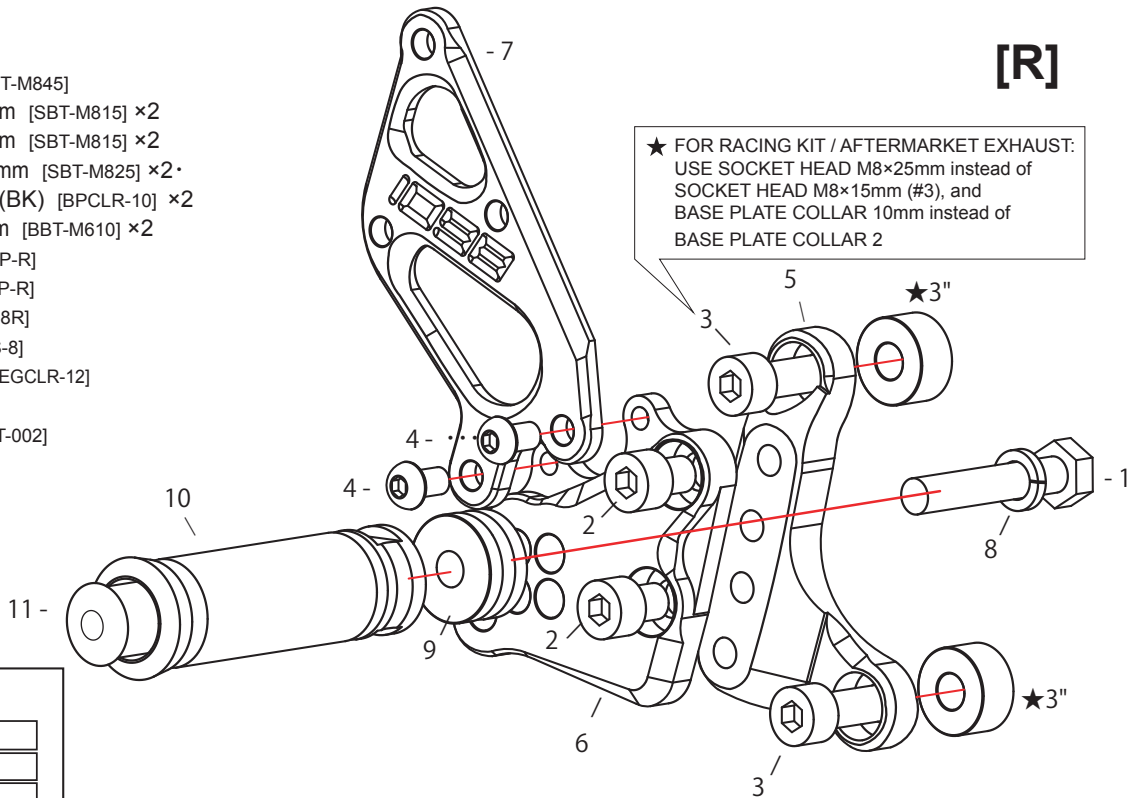


★ USE STOCK ROD END

Smooth front of PEG WASHER M8 (#14) should face pedal bearing, with the rougher, flat side facing STEP PLATE(#8).

[R]-SIDE

1. HEX BOLT M8×45mm [HBT-M845]
2. SOCKET HEAD M8×15mm [SBT-M815] ×2
3. SOCKET HEAD M8×15mm [SBT-M815] ×2
- ★3" (SOCKET HEAD M8×25mm [SBT-M825] ×2 · BASE PLATE COLLAR 10 (BK) [BPCLR-10] ×2
4. BUTTON HEAD M6×10mm [BBT-M610] ×2
5. BASE PLATE [R] [D-1098BP-R]
6. STEP PLATE [R] [D-1098SP-R]
7. HEEL GUARD [R] [HG-1098R]
8. SPLIT WASHER M8 [SWS-8]
9. FOOT PEG COLLAR 12 [PEGCLR-12]
10. FOOT PEG [PEG]
11. FOOT PEG END CAP [ST-002]



★ FOR RACING KIT / AFTERMARKET EXHAUST: USE SOCKET HEAD M8×25mm instead of SOCKET HEAD M8×15mm (#3), and BASE PLATE COLLAR 10mm instead of BASE PLATE COLLAR 2

10 ADJUSTABLE POSITIONS

1	0mm	0mm
2	5mm Forward	15mm Up
3	10mm Forward	5mm Up
4	10mm Forward	15mm Up
5	15mm Forward	20mm Up
6	15mm Forward	30mm Up
7	20mm Forward	5mm Up
8	20mm Forward	15mm Up
9	25mm Forward	20mm Up
10	25mm Forward	30mm Up