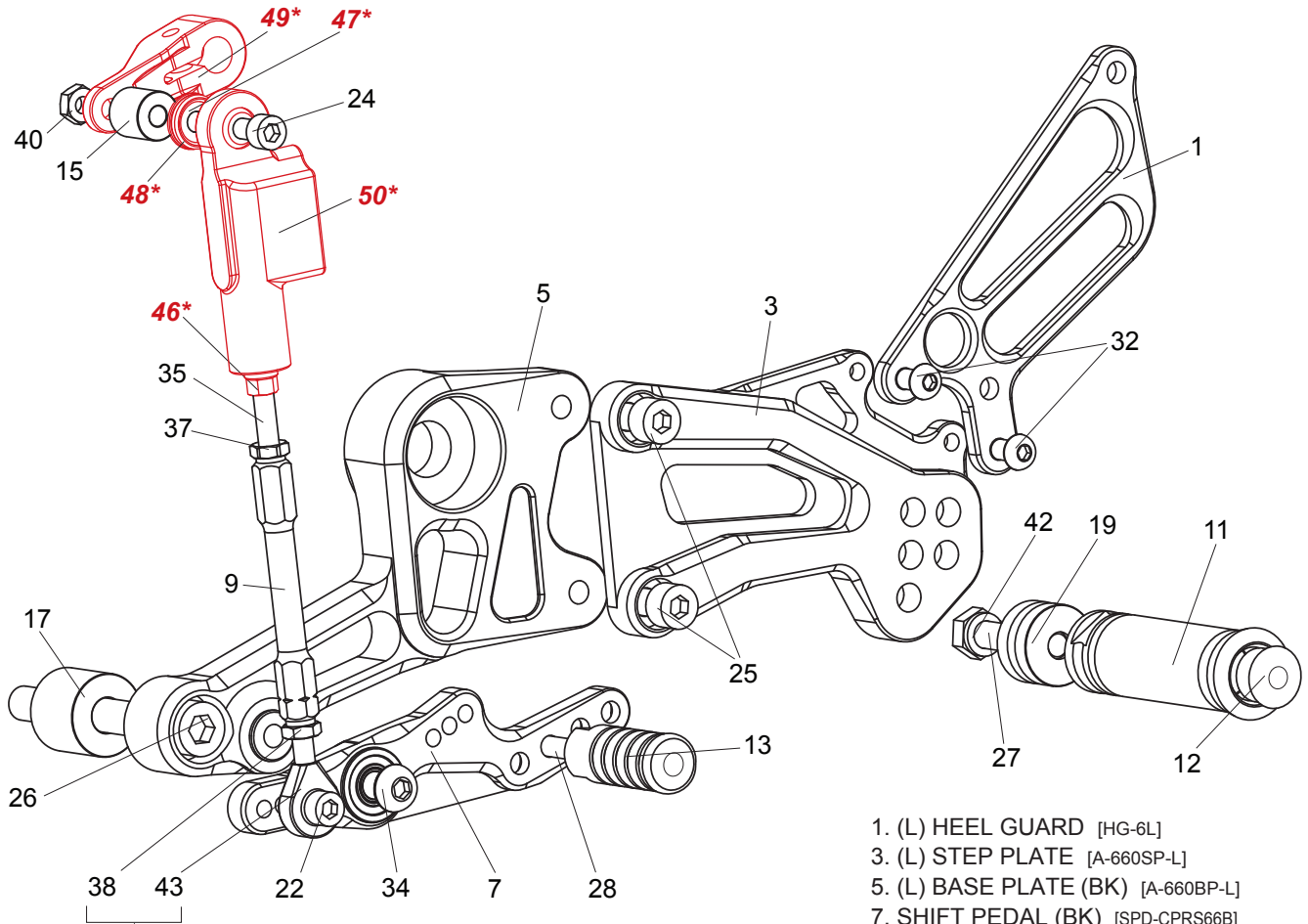
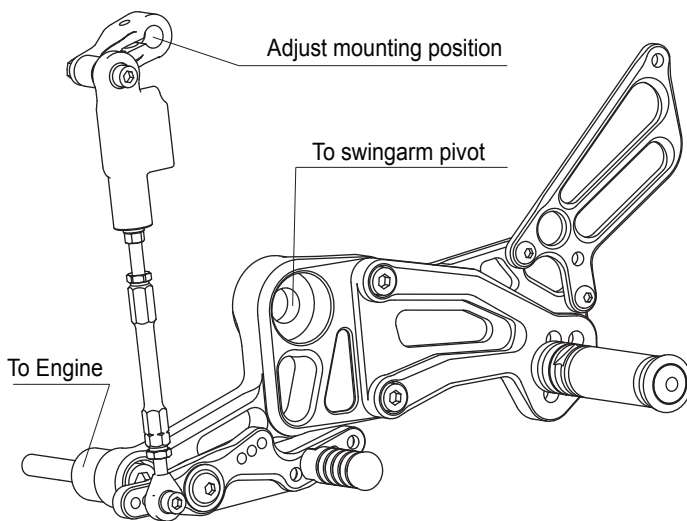


part# A-660SRS



Left-hand threaded -
Turn Right to loosen.



1. (L) HEEL GUARD [HG-6L]
3. (L) STEP PLATE [A-660SP-L]
5. (L) BASE PLATE (BK) [A-660BP-L]
7. SHIFT PEDAL (BK) [SPD-CPRS66B]
9. SHIFT ROD 80 (BK) [SRD-80B]
11. FOOT PEG [PEG]
12. FOOT PEG END CAP [ST-002]
13. PEDAL TIP (DELRIN) [ST-001D18]
15. COLLAR 15-6 (BK) [CLR-15-6]
17. COLLAR 22-10 (BK) [CLR-22-10]
19. PEG COLLAR 15 [PEGCLR-15]
22. SOCKET HEAD M6 x 18mm [SBT-M618]
24. SOCKET HEAD M6 x 40mm [SBT-M640]
25. SOCKET HEAD M8 x 15mm [SBT-M815] x 2
26. SOCKET HEAD M10 x 85mm (P-1.5) [SBT-M1085-15]
27. HEX HEAD M8 x 40mm [HBT-M840]
28. LOW SOCKET HEAD M6 x 20mm [LSBT-M620]
32. BUTTON HEAD M6 x 10mm [BBT-M610] x 2
34. BUTTON HEAD M8 x 25mm [BBT-M825]
35. STUD M6 [STUD-M6]
37. JAM NUT M6 [JNT-6]
38. REVERSE JAM NUT M6 [JNT-6L]
40. LOCK NUT M6 [LNT-6]
42. SPLIT WASHER M8 [SWS-8]
43. REVERSE MALE ROD END M6 [RDED-M6L]

*** STOCK APRILIA PARTS:**

- 46. NUT
- 47. COLLAR
- 48. O-RING
- 49. SHIFT ARM
- 50. SHIFTER SWITCH