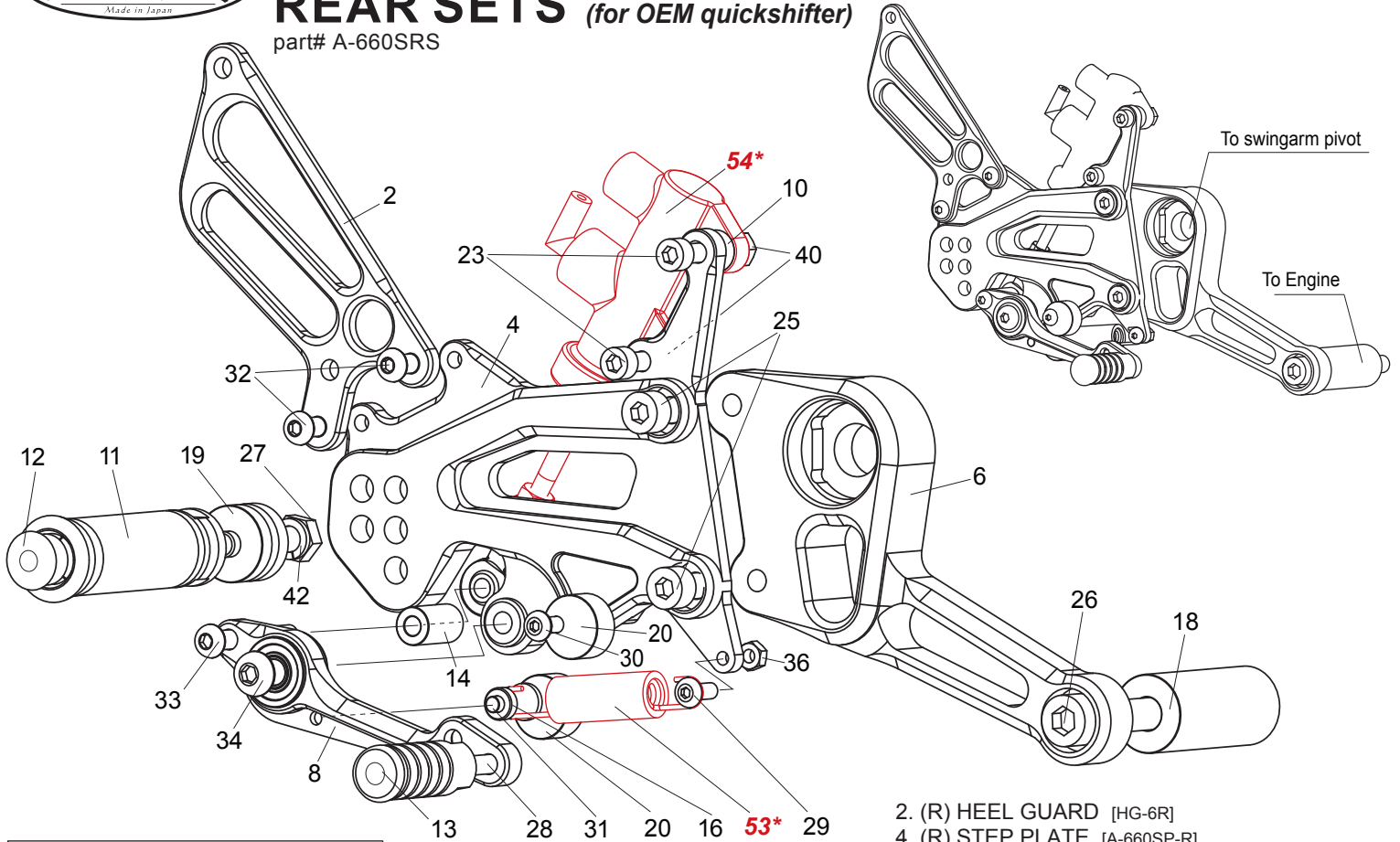
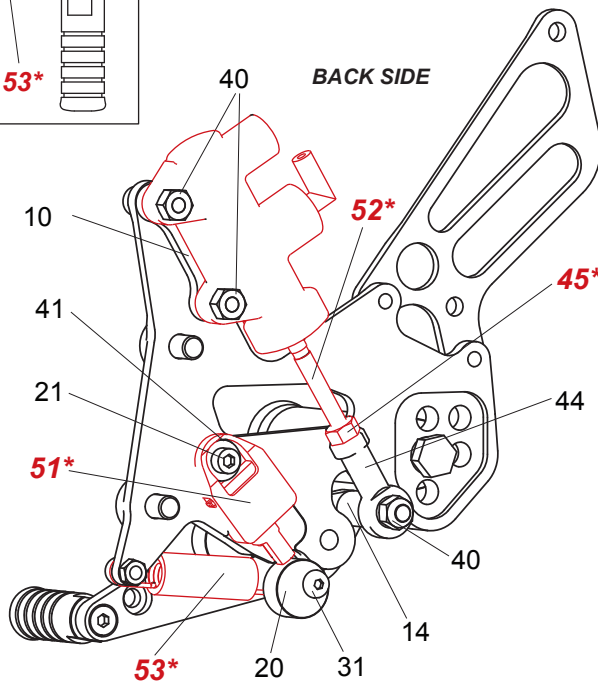
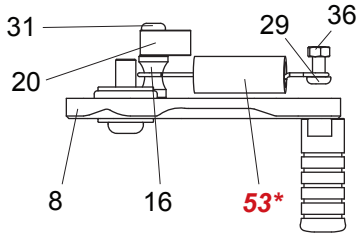


part# A-660SRS



**BRAKE - TOP VIEW**



- 2. (R) HEEL GUARD [HG-6R]
- 4. (R) STEP PLATE [A-660SP-R]
- 6. (R) BASE PLATE (BK) [A-660BP-R]
- 8. BRAKE PEDAL [BPD-BPSS195]
- 10. STAY (BK) [STAY-6L40T5]
- 11. FOOT PEG [PEG]
- 12. FOOT PEG END CAP [ST-002]
- 13. PEDAL TIP (DELRIN) [ST-001D18]
- 14. COLLAR 20-6 (BK) [CLR-20-6]
- 16. COLLAR 17 (SPRING HOOK)
- 18. COLLAR 57-10 (BK) [CLR-57-10]
- 19. PEG COLLAR 15 [PEGCLR-15]
- 20. PEDAL STOPPER 10 (DELRIN) [BPD-STOPPER-10] x 2
- 21. SOCKET HEAD M5 x 10mm [SBT-M510]
- 23. SOCKET HEAD M6 x 25mm [SBT-M625] x 2
- 25. SOCKET HEAD M8 x 15mm [SBT-M815] x 2
- 26. SOCKET HEAD M10 x 85mm (P-1.5) [SBT-M1085-15]
- 27. HEX HEAD M8 x 40mm [HBT-M840]
- 28. LOW SOCKET HEAD M6 x 20mm [LSBT-M620]
- 29. BUTTON HEAD M5 x 12mm [BBT-M512]
- 30. BUTTON HEAD M5 x 20mm [BBT-M520]
- 31. BUTTON HEAD M5 x 30mm [BBT-M530]
- 32. BUTTON HEAD M6 x 10mm [BBT-M610] x 2
- 33. BUTTON HEAD M6 x 45mm [BBT-M645]
- 34. BUTTON HEAD M8 x 25mm [BBT-M825]
- 36. NUT M5 [NUT-5]
- 40. LOCK NUT M6 [LNT-6] x 3
- 41. M5 WASHER L [WS-5L]
- 42. SPLIT WASHER M8 [SWS-8]
- 44. FEMALE ROD END M6 [RDED-F6]

**\* STOCK APRILIA PARTS:**

- 45. NUT
- 51. BRAKE SWITCH
- 52. ROD
- 53. SPRING
- 54. MASTER CYLINDER