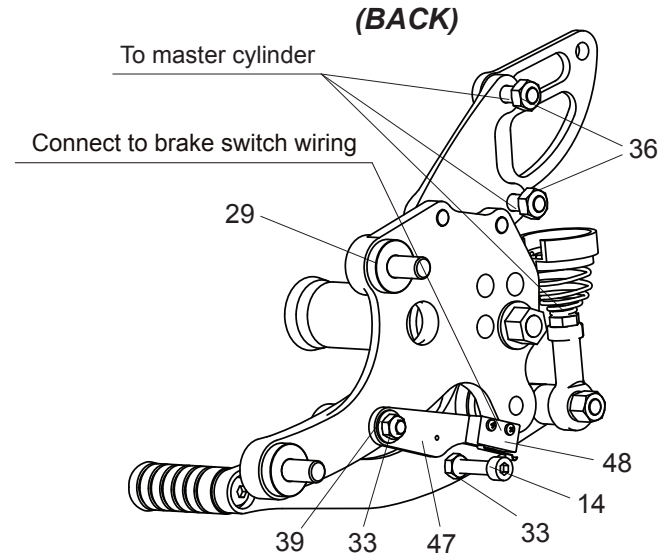
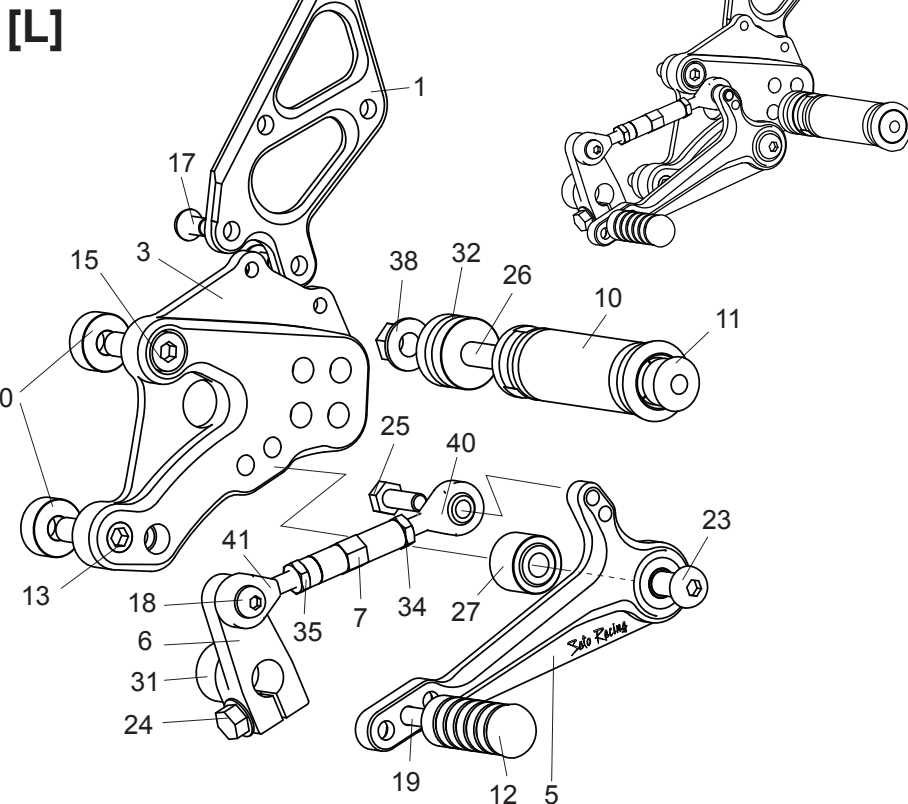
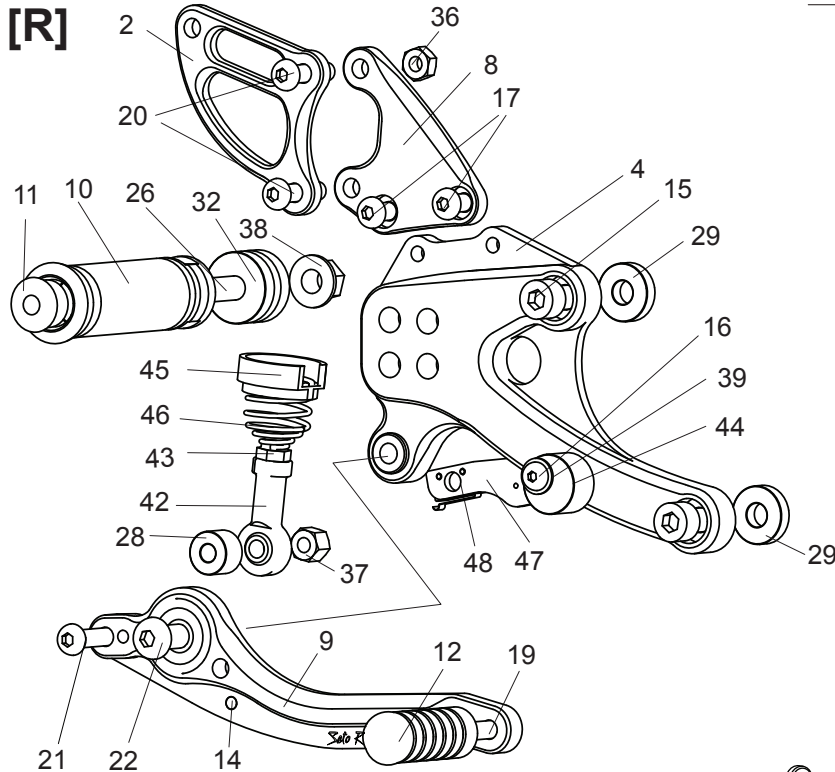


BMW RnineT / Pure ('17-) REAR SETS

part# BMW-R9TPRS (version1 design spec)



1. (L) HEEL GUARD [HG-19L]
2. (R) HEEL GUARD [HG-22R]
3. (L) STEP PLATE [BMW-R9TPSP-L]
4. (R) STEP PLATE [BMW-R9TRASP-R]
5. SHIFT PEDAL [SPD-SCP70]
6. SHIFT ARM (BK) [CA-7]
7. SHIFT ROD 40 (BK) [SRD-40B]
8. MASTER STAY [BMW-R9TRAMS]
9. BRAKE PEDAL [[BPD-165-30]
10. FOOT PEG [PEG] x 2
11. FOOT PEG END CAP [ST-002] x 2
12. PEDAL TIP (DELRIN) [ST-001D18] x 2
13. NARROW SOCKET HEAD M8x25mm [SBT-M825S]
14. SOCKET HEAD M5x25mm [SBT-M525]
15. SOCKET HEAD M8x25mm [SBT-M825] x 3
16. BUTTON HEAD M5 x 35mm [BBT-M535]
17. BUTTON HEAD M6 x 10mm [BBT-M610] x 4
18. BUTTON HEAD M6 x 18mm [BBT-M618]
19. BUTTON HEAD M6 x 20mm [BBT-M620] x 2
20. BUTTON HEAD M6 x 25mm [BBT-M625]
21. BUTTON HEAD M6 x 35mm [BBT-M635]
22. BUTTON HEAD M8 x 25mm [BBT-M825]
23. BUTTON HEAD M8 x 40mm [BBT-M840]
24. FLANGE HEAD M6 x 20mm [FGBT-M620]
25. HEX HEAD M6 x 18mm [HBT-M618]
26. STUD BOLT M8 x 50mm [STBT-50] x 2
27. BEARING COLLAR 15 (BK) [PEGBGCLR-15SB]
28. ROD END COLLAR 10 (BK) [RDED-CLR10]
29. BASE PLATE COLLAR 5 (BK) [BPCLR-5] x 2
30. BASE PLATE COLLAR 8 (BK) [BPCLR-8] x 2
31. SHIFT SPINDLE SPACER (BK)
32. PEG COLLAR 15 [PEGCLR-15] x 2
33. NUT M5 [NUT-5] x 2
34. JAM NUT M6 [JNT-6]
35. REVERSE JAM NUT M6 [JNT-6L]
36. NUT M6 [NUT-6] x 2
37. LOCK NUT M6 [LNT-6]
38. FLANGE NUT M8 [FNT-6] x 2
39. WASHER M5 [WS-5] x 2
40. MALE ROD END M6 [RDEM-M6]
41. REVERSE MALE ROD END M6 [RDEM-M6L]
42. FEMALE ROD END M6 [RDED-F6]
43. SPRING SEAT M6 [NUT-SPS6]
44. PEDAL STOPPER 12.5 (DELRIN) [BPD-STOPPER]
45. RETURN SPRING COLLAR b [RS-RSCLR2]
46. RETURN SPRING 20 [RS-RSP2]
47. SWITCH BASE [BSW-R9TSB]
48. MICROSWITCH [BSW-MSWR9T]