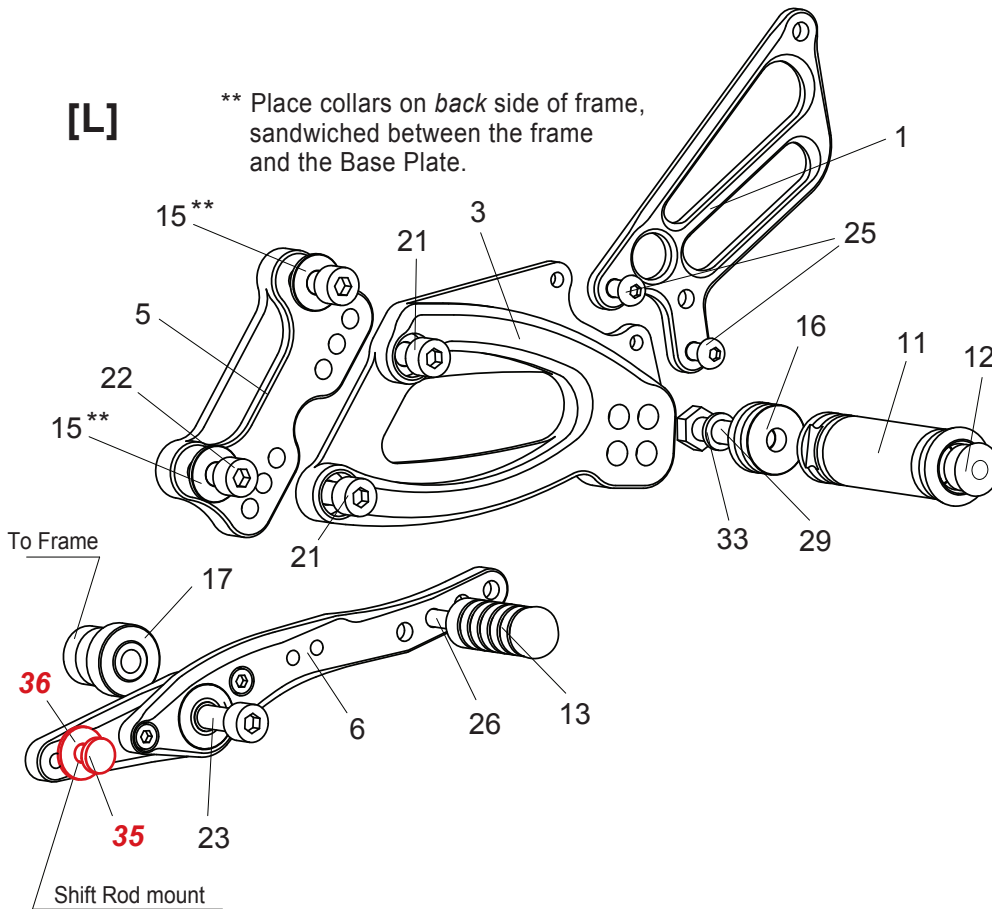


# BMW S1000R ('17-'20) REAR SETS

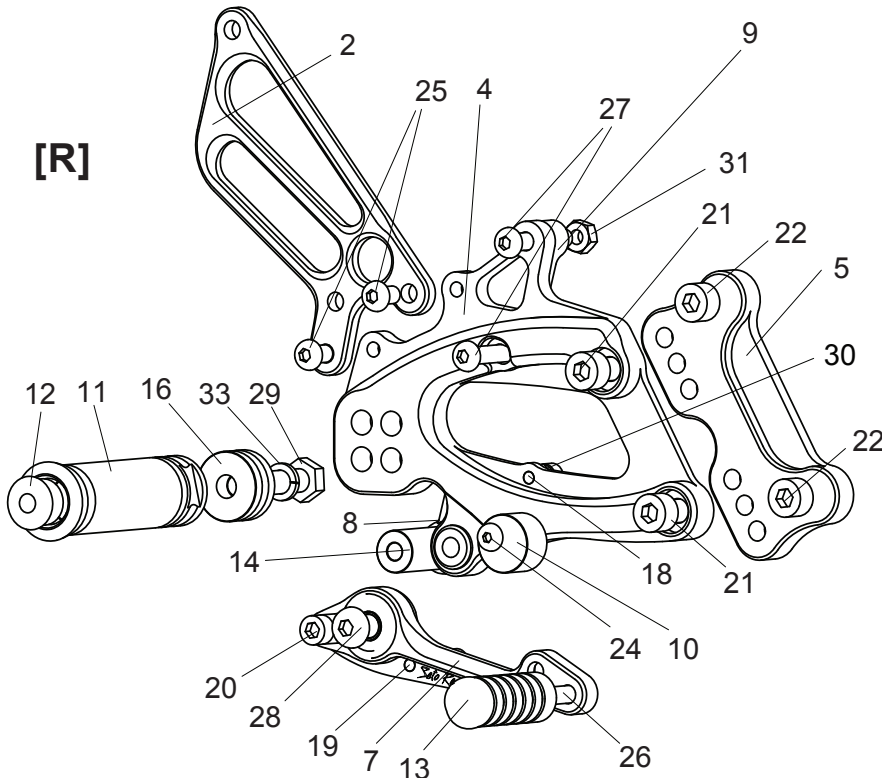
part# BMW-S100017RS

[L]

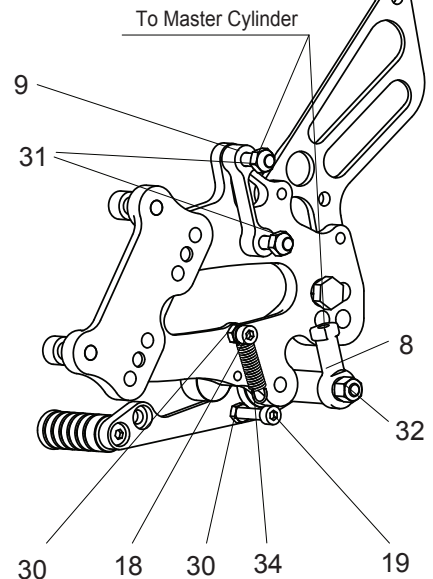
\*\* Place collars on *back* side of frame, sandwiched between the frame and the Base Plate.



[R]



(BACK SIDE)



1. HEEL GUARD [HG-6L]
2. HEEL GUARD [HG-6R]
3. [L] STEP PLATE [BMW-S100017SP-L]
4. [R] STEP PLATE [BMW-S100017SP-R]
5. BASE PLATE (BK) x 2
6. SHIFT PEDAL [SPD-CP022B]
7. BRAKE PEDAL [BPD-15]
8. FEMALE ROD END M6 [RDED-F6]
9. STAY (BK)
10. PEDAL STOPPER (DELRIN) [BPD-STOPPER]
11. FOOT PEG [PEG] x 2
12. FOOT PEG END CAP [ST-002] x 2
13. PEDAL TIP (DELRIN) [ST-001D18] x 2
14. COLLAR 29-6 [CLR-29-6]
15. COLLAR 2-8 (BK) [BPCLR-2] x 2
16. FOOT PEG COLLAR 12 [PEGCLR-12] x 2
17. SHIFT BASE COLLAR 27(BK) [SBCLR-27]
18. SOCKET HEAD M5x10mm [SBT-M510]
19. SOCKET HEAD M5x25mm [SBT-M525]
20. SOCKET HEAD M6x55mm [SBT-M655]
21. SOCKET HEAD M8x15mm [SBT-M815] x 4
22. SOCKET HEAD M8x20mm [BBT-M820] x 4
23. SOCKET HEAD M8x65mm [SBT-M865]
24. BUTTON HEAD M5x20mm [BBT-M520]
25. BUTTON HEAD M6x10mm [BBT-M610] x 4
26. BUTTON HEAD M6x20mm [BBT-M620] x 2
27. BUTTON HEAD M6x35mm [BBT-M635] x 2
28. BUTTON HEAD M8x25mm [BBT-M825]
29. HEX BOLT M8x40mm [HBT-M840] x 2
30. NUT M5 [NUT-5] x 2
31. NUT M6 [NUT-6] x 2
32. LOCK NUT M6 [LNT-6]
33. SPLIT WASHER M8 [SWS-8] x 2
34. RETURN SPRING 8-25 [RS-RSP8-25]
35. BOLT (BMW PARTS)
36. NUT (BMW PARTS)