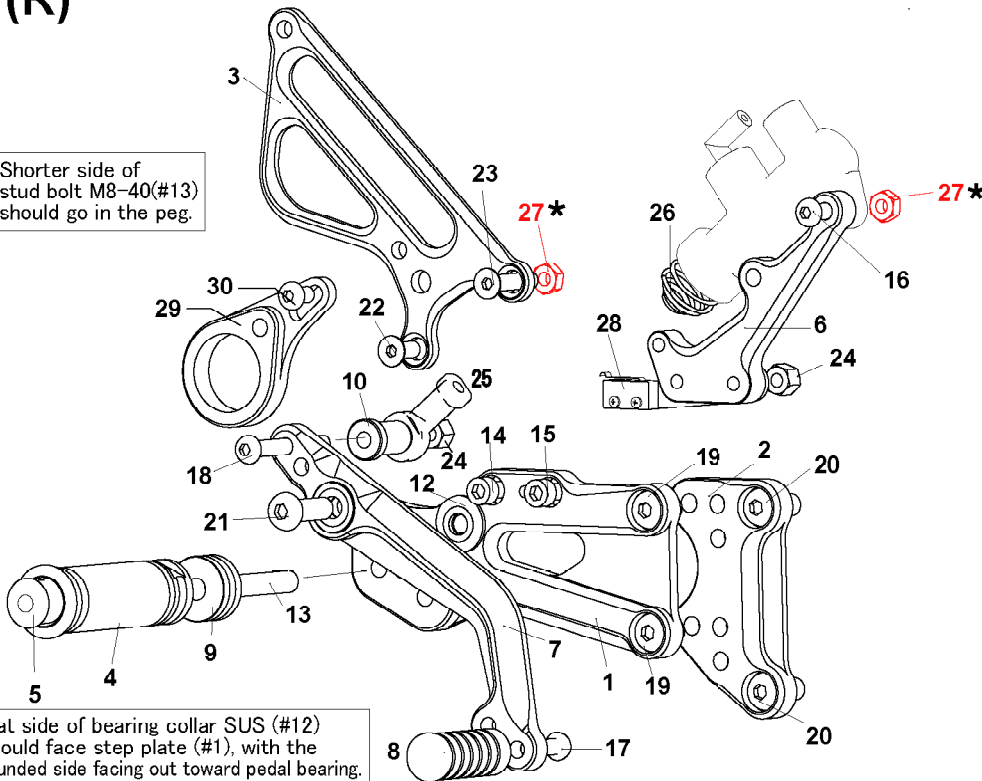


BMW S1000RR (non-ABS)

Micro switch included.

(R)

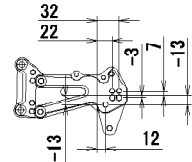
Shorter side of stud bolt M8-40(#13) should go in the peg.



Flat side of bearing collar SUS (#12) should face step plate (#1), with the rounded side facing out toward pedal bearing.

Due to running improvements in the designs of Sato parts, some new replacement parts may look somewhat different than the original parts with the same part #. These slight differences are mostly cosmetic and have no effect on performance.

Note: Canister Bracket cannot be used with this base plate/step plate set up.

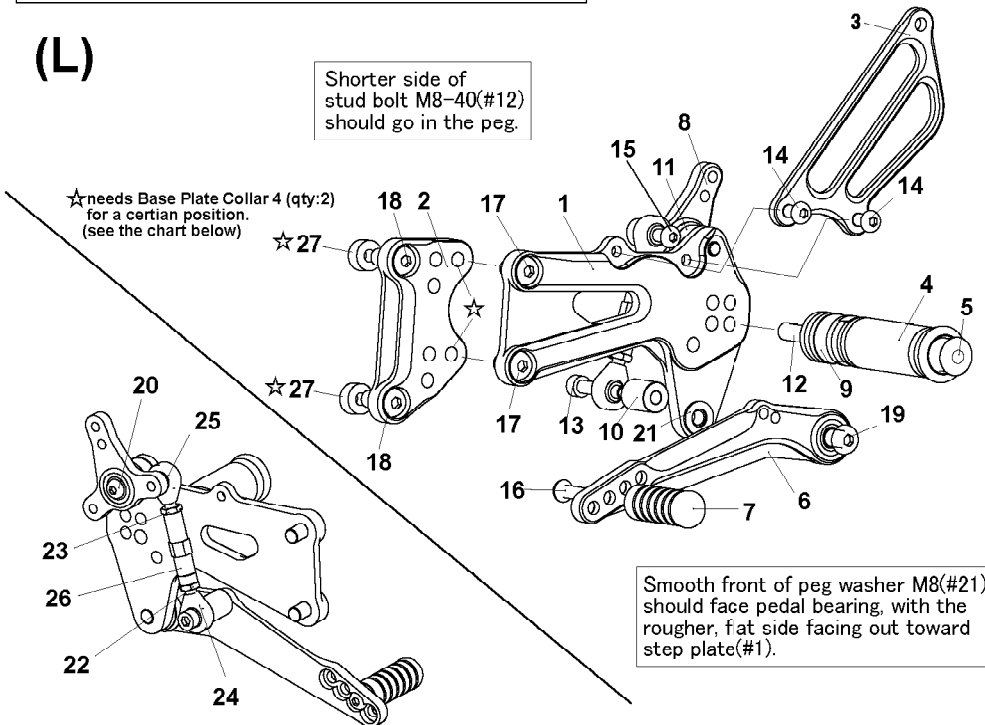


1. STEP PLATE [R]
2. BASE PLATE [R]
3. HEEL GUARD [R](HG23)
4. FOOT PEG
5. FOOT PEG END CAP
6. MASTER STAY
7. BRAKE PEDAL (BPD8)
8. PEDAL TIP DELRIN
9. FOOT PEG COLLAR 15
10. COLLAR 23-6(BK)
12. BEARING COLLAR SUS
13. STUD BOLT M8-40
14. SOCKET HEAD M6 × 10mm
15. SOCKET HEAD M6 × 25mm
16. BUTTON HEAD M6 × 25mm
17. BUTTON HEAD M6 × 20mm
18. BUTTON HEAD M6 × 50mm
19. BUTTON HEAD M8 × 15mm × 2
20. BUTTON HEAD M8 × 20mm × 2
21. BUTTON HEAD M8 × 25mm
22. FLAT HEAD M6 × 15mm
23. FLAT HEAD M6 × 30mm
24. LOCK NUT M6
25. FEMALE ROD END M6-8
26. RETURN SPRING 40
- ★ 27. NUT M6(STOCK)
28. MICRO SWITCH KIT
29. CANISTER BRACKET(BK)
30. BUTTON HEAD M6 × 15mm

(L)

Shorter side of stud bolt M8-40(#12) should go in the peg.

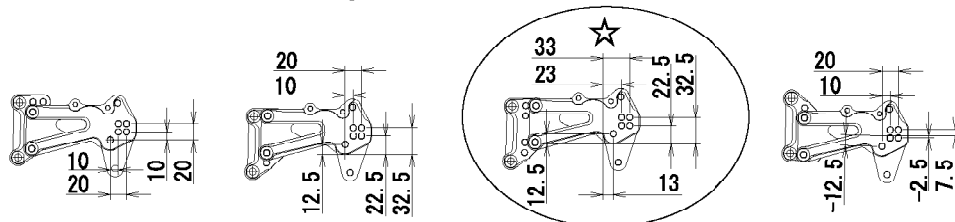
★ needs Base Plate Collar 4 (qty:2) for a certain position. (see the chart below)



Smooth front of peg washer M8(#21) should face pedal bearing, with the rougher, flat side facing out toward step plate(#1).



1. STEP PLATE [L]
2. BASE PLATE [L]
3. HEEL GUARD [L](HG2)
4. FOOT PEG
5. FOOT PEG END CAP
6. SHIFT PEDAL (SPD16)
7. PEDAL TIP DELRIN
8. LINK 70-80(BK)
9. FOOT PEG COLLAR 15
10. ROD END COLLAR 19(BK)
11. COLLAR 10-8(BK)
12. STUD BOLT M8 × 40mm
13. SOCKET HEAD M6 × 35mm
14. BUTTON HEAD M6 × 10mm × 2
15. BUTTON HEAD M6 × 15mm
16. BUTTON HEAD M6 × 20mm
17. BUTTON HEAD M8 × 15mm × 2
18. BUTTON HEAD M8 × 20mm × 2
19. BUTTON HEAD M8 × 25mm
20. BUTTON HEAD M8 × 35mm
21. PEG WASHER M8
22. REVERSE JAM NUT M6
23. JAM NUT M6
24. MALE REVERSE ROD END M6
25. MALE ROD END M6
26. SHIFT ROD 40
- ★ 27. BASE PLATE COLLAR 4(BK) × 2



Additional positions lower than stock can be achieved by switching left and right base plates.