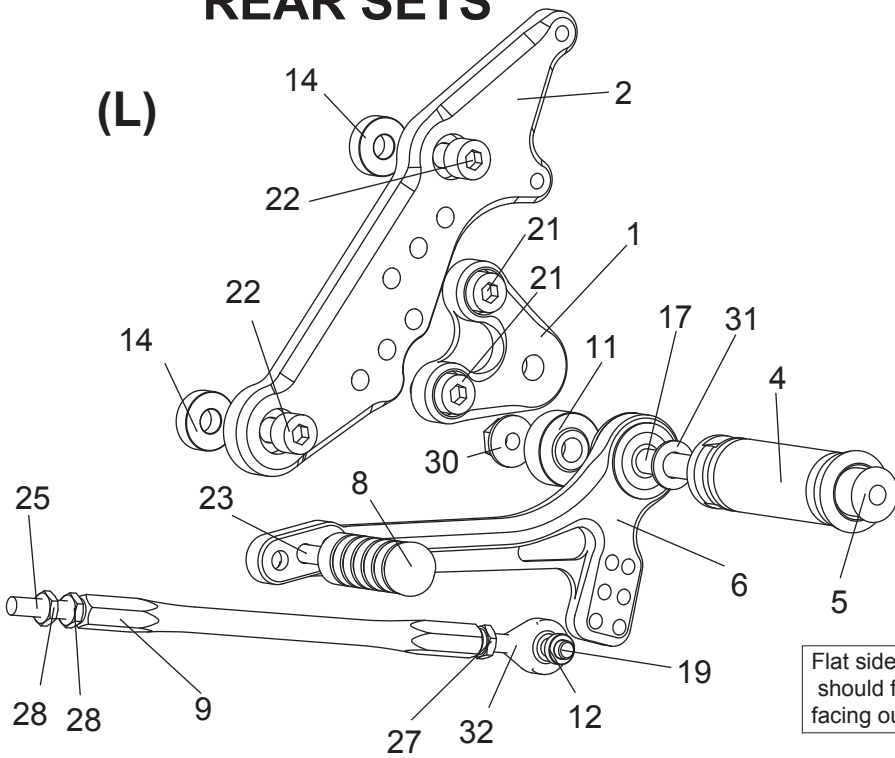


HONDA CB400SF ABS ('08-'13) REAR SETS

(L)

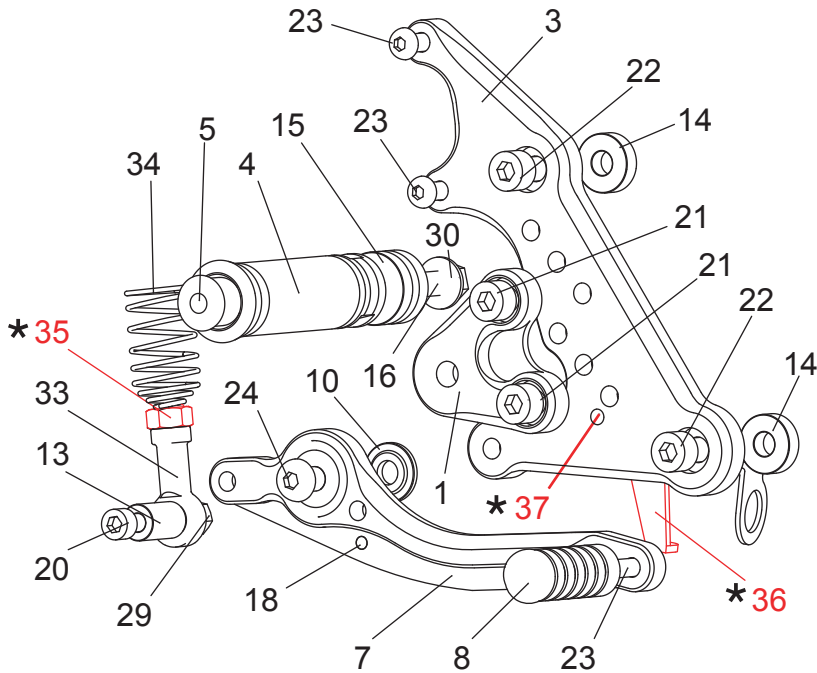


[L] SIDE

1. STEP PLATE
2. BASE PLATE [L](BK)
4. FOOT PEG
5. FOOT PEG END CAP
6. SHIFT PEDAL 60-70(SPD0102)
8. PEDAL TIP DELRIN
9. SHIFT ROD 160
11. PEG BEARING COLLAR 10S(BK)
12. ROD END COLLAR 3
14. BASE PLATE COLLAR 6(BK) x2
17. STUD BOLT M8-60mm
19. SOCKET HEAD M6-20mm
21. SOCKET HEAD M8-15mm x2
22. SOCKET HEAD M8-25mm x2
23. BUTTON HEAD M6-20mm
25. REVERSE STUD M6
27. JAM NUT M6
28. REVERSE JAM NUT M6 x2
30. FLANGE NUT M8
31. PEG WASHER M8
32. MALE ROD END M6

Flat side of FOOT PEG BEARING COLLAR 10 (#11) should face STEP PLATE (#1), with the stepped side facing out toward pedal bearing.

(R)

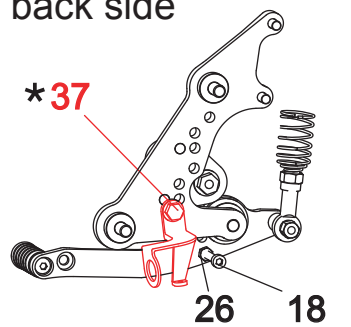


[R] SIDE

1. STEP PLATE
3. BASE PLATE [R](BK)
4. FOOT PEG
5. FOOT PEG END CAP
7. BRAKE PEDAL 165 (BPD3)
8. PEDAL TIP DELRIN
10. PEG BEARING COLLAR 3S(BK)
13. COLLAR 20-6(BK)
14. BASE PLATE COLLAR 6(BK) x2
15. FOOT PEG COLLAR 15
16. STUD BOLT M8-45mm
18. SOCKET HEAD M5-35mm
20. SOCKET HEAD M6-45mm
21. SOCKET HEAD M8-15mm x2
22. SOCKET HEAD M8-25mm x2
23. BUTTON HEAD M6-20mm x3
24. BUTTON HEAD M8-30mm
26. NUT M5
29. LOCK NUT M6
30. FLANGE NUT M8
33. FEMALE ROD END 6-M8
34. RETURN SPRING 40
- * 35. NUT M8(STOCK)
- * 36. STOP SWITCH STAY
- * 37. FLANGE HEAD M6x10mm

Flat side of BEARING COLLAR 3S (#10) should face STEP PLATE (#1), with the rounded side facing out toward pedal bearing.

back side



* STOCK PARTS

Due to running improvements in the designs of Sato parts, some new replacement parts may look somewhat different than the original parts with the same part #. These slight differences are mostly cosmetic and have no effect on performance.