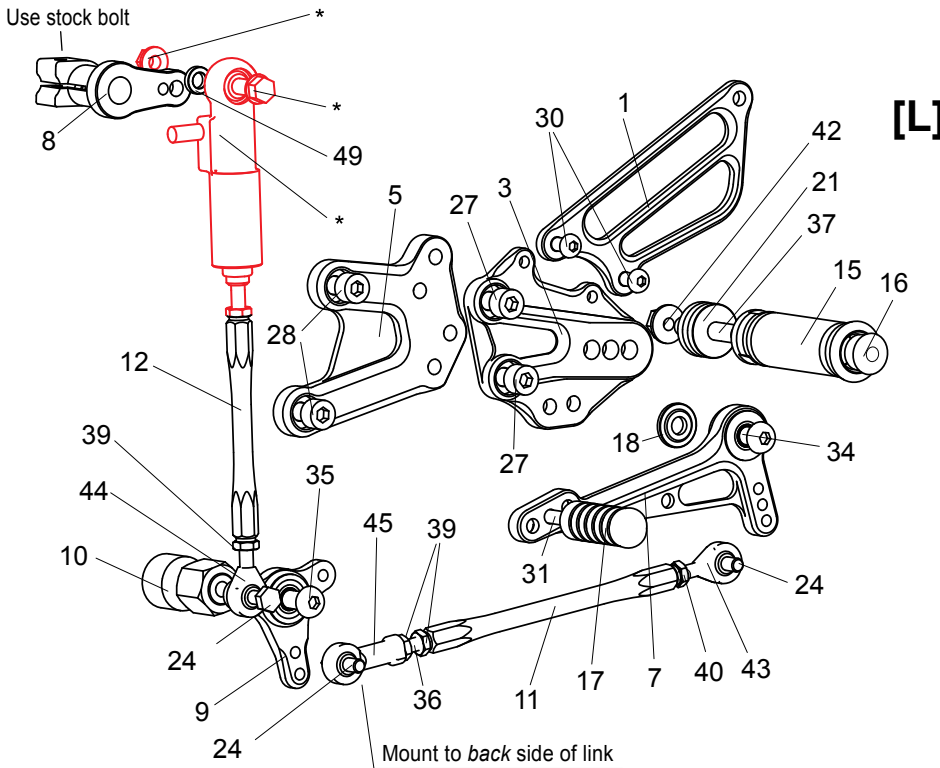


# HONDA CBR1000RR/ SP ('17-'19)

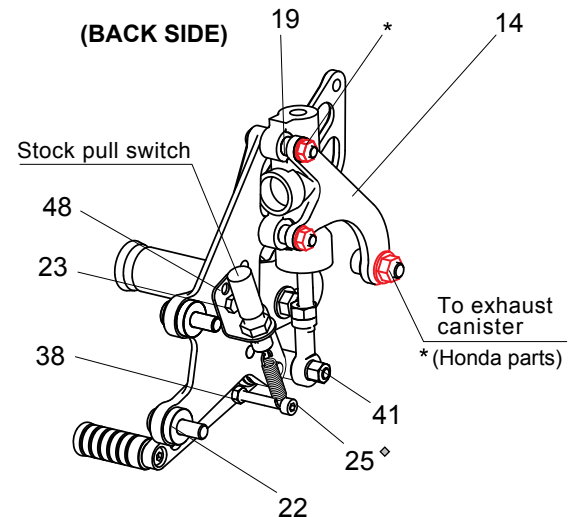
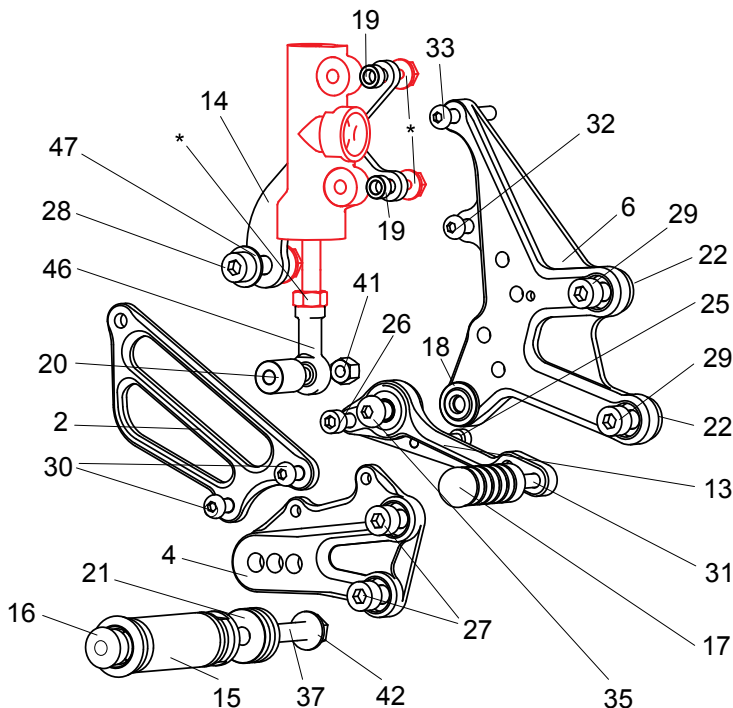
## REAR SETS (For Honda Quickshifter)

part# H-CBR117SPRS



1. (L) HEEL GUARD [HG-2L]
2. (R) HEEL GUARD [HG-2R]
3. (L) STEP PLATE
4. (R) STEP PLATE
5. (L) BASE PLATE
6. (R) BASE PLATE
7. SHIFT PEDAL [SPD-14]
8. CHANGE ARM (BK) [CA-015]
9. SHIFT LINK 70-80 (BK) [SK-70-80]
10. SHIFT BASE 46 (SV) [SB-46SUS]
11. SHIFT ROD 135 (BK) [SRD-135-B]
12. SHIFT ROD 100 (BK) [SRD-100-B]
13. BRAKE PEDAL 145 [BPD-15]
14. CANISTER BRACKET (BK)
15. FOOT PEG [PEG] x 2 (includes end cap)
16. FOOT PEG END CAP [ST-002] x 2
17. PEDAL TIP (DELRIN) [ST-001D18] x 2
18. BEARING COLLAR 3(BK) [PEGBCLR-3SB] x 2
19. COLLAR 5-6 [CLR-5-6] x 2
20. ROD END COLLAR 19 (BK) [RDED-CLR19]
21. FOOT PEG COLLAR 12 [PEGCLR-12] x 2
22. BASE PLATE COLLAR 5 (BK) [BPCLR-5] x 2
23. HEX HEAD M5 x 8mm [HBT-M58]
24. HEX HEAD M6 x 18mm [HBT-M618] x 3
25. SOCKET HEAD M5 x 35mm [SBT-M535]
26. SOCKET HEAD M6 x 45mm [SBT-M645]
27. SOCKET HEAD M8 x 15mm [SBT-M815] x 4
28. SOCKET HEAD M8 x 20mm [SBT-M820] x 3
29. SOCKET HEAD M8 x 25mm [SBT-M825] x 2
30. BUTTON HEAD M6 x 10mm [BBT-M610] x 4
31. BUTTON HEAD M6 x 20mm [BBT-M620] x 2
32. BUTTON HEAD M6 x 35mm [BBT-M635]
33. BUTTON HEAD M6 x 40mm [BBT-M640]
34. BUTTON HEAD M8 x 25mm [BBT-M825]
35. BUTTON HEAD M8 x 30mm [BBT-M830] x 2
36. STUD M6 x 45mm [STUD-M6]
37. STUD BOLT M8 x 45mm [STBT-45] x 2
38. NUT M5 [NUT-5]
39. JAM NUT M6 [JNT-6] x 3
40. REVERSE JAM NUT M6 [JNT-6L]
41. LOCK NUT M6 [LNT-6]
42. FLANGE NUT M8 [FNT-8] x 2
43. REVERSE MALE ROD END M6 [RDED-M6L]
44. MALE ROD END M6 [RDED-M6]
45. FEMALE ROD END M6 [RDED-F6]
46. FEMALE ROD END 6-M8 [RDED-F6-8]
47. WASHER M8 [WS-8]
48. PULL SWITCH STAY 14 [PSTAY-14]
49. COLLAR 3-7 (SV) [CLR-3-7]

[R]



\* Stock HONDA parts