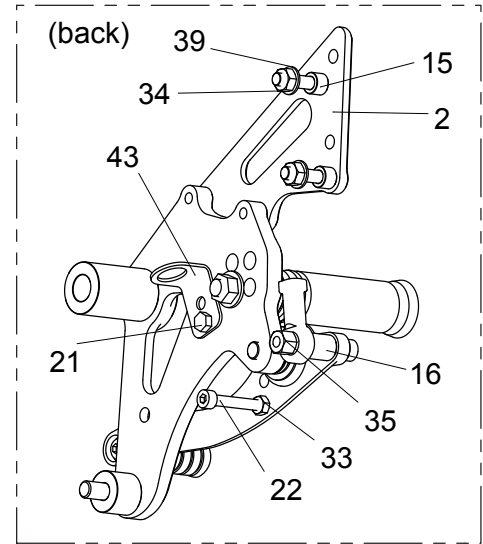
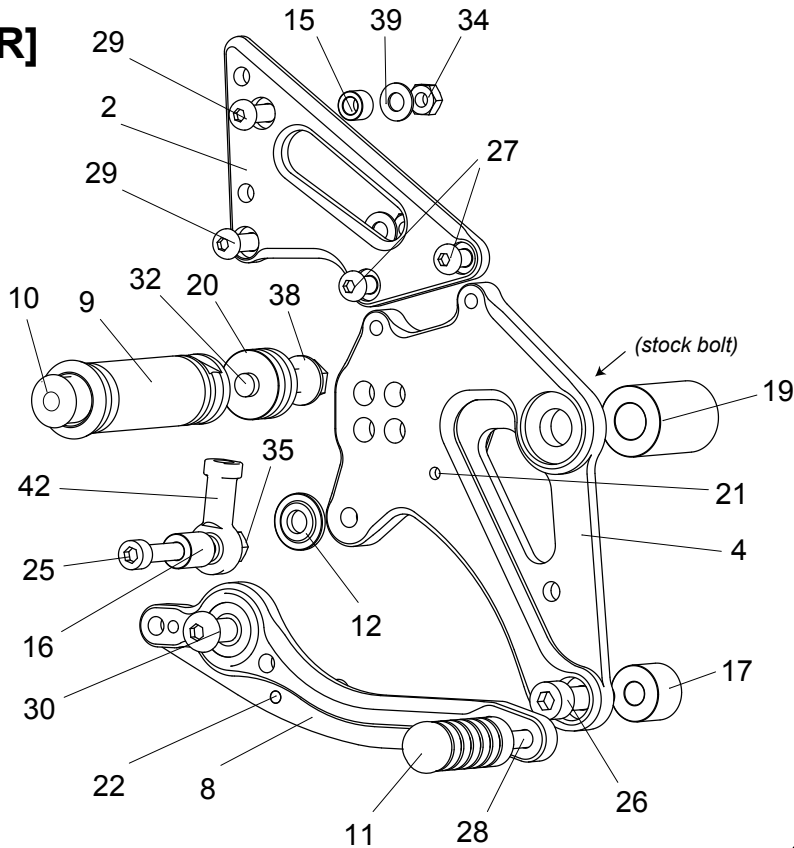
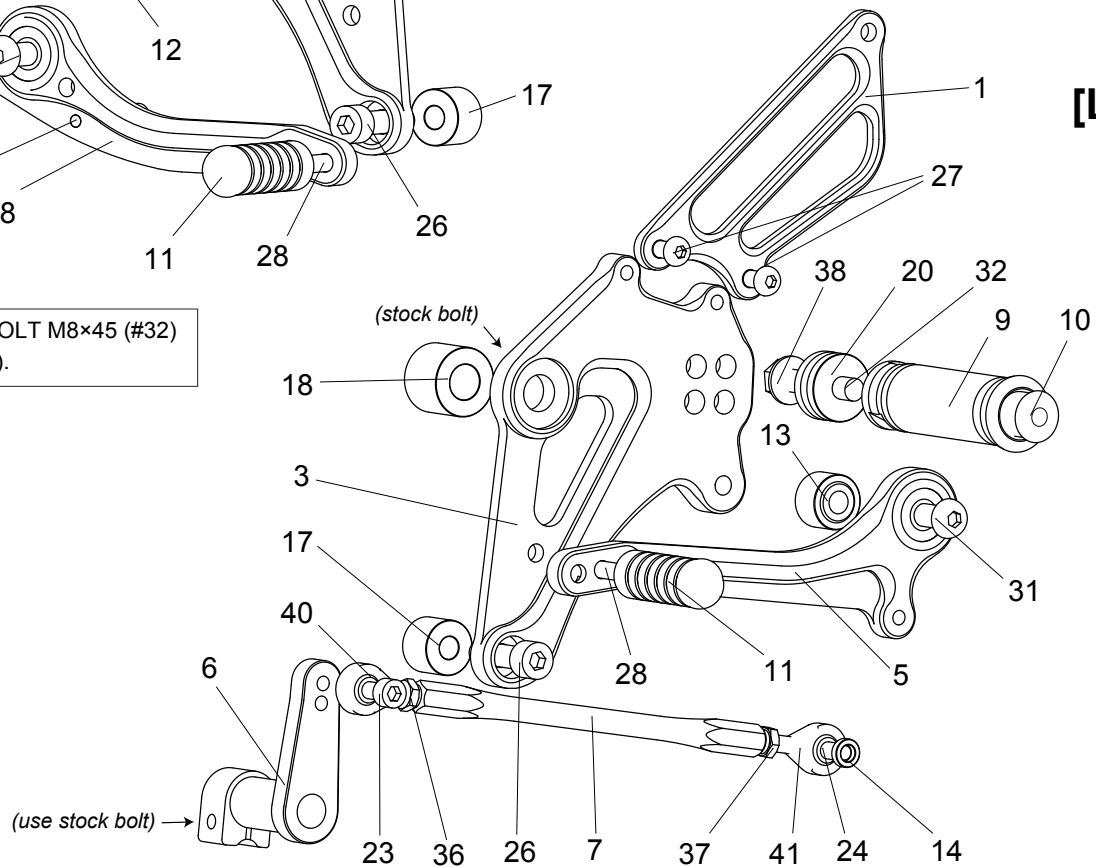


[R]



[L]



Shorter side of STUD BOLT M8×45 (#32) goes in FOOT PEG (#9).

- | | | | |
|------------------------------|----------------------------|----------------------------|-----------------------------|
| 1. [L] HEEL GUARD [HG-1L] | 12. BEARING COLLAR 3 (BK) | 23. SOCKET HEAD M6×18 | 34. NUT M6 (x2) |
| 2. MASTER BASE | 13. BEARING COLLAR 13 (BK) | 24. SOCKET HEAD M6×20 | 35. LOCK NUT M6 |
| 3. BASE PLATE [L] | 14. ROD END COLLAR 3 (GD) | 25. SOCKET HEAD M6×40 | 36. JAM NUT M6 |
| 4. BASE PLATE [R] | 15. COLLAR 7-6 (x2) | 26. SOCKET HEAD M8×30 (x2) | 37. REVERSE JAM NUT M6 |
| 5. SHIFT PEDAL 6 [SPD-6] | 16. BRAKE ROD 15 (BK) | 27. BUTTON HEAD M6×10 (x4) | 38. FLANGE NUT M8 (x2) |
| 6. CHANGE ARM [CA-GROM] (BK) | 17. COLLAR 15-8 (BK) (x2) | 28. BUTTON HEAD M6×20 (x2) | 39. WASHER M6 (x2) |
| 7. SHIFT ROD 150 | 18. COLLAR 20-12 (BK) | 29. BUTTON HEAD M6×30 (x2) | 40. MALE ROD END M6 |
| 8. BRAKE PEDAL [BPD165-30] | 19. COLLAR 37-12 (BK) | 30. BUTTON HEAD M8×30 | 41. MALE REVERSE ROD END M6 |
| 9. FOOT PEG (x2) | 20. PEG COLLAR 12 (x2) | 31. BUTTON HEAD M8×40 | 42. FEMALE ROD END 6-M8 |
| 10. FOOT PEG END CAP (x2) | 21. HEX HEAD M5×8 | 32. STUD BOLT M8×45 (x2) | 43. PULL SWITCH STAY 14 |
| 11. PEDAL TIP (x2) | 22. SOCKET HEAD M5×35 | 33. NUT M5 | |