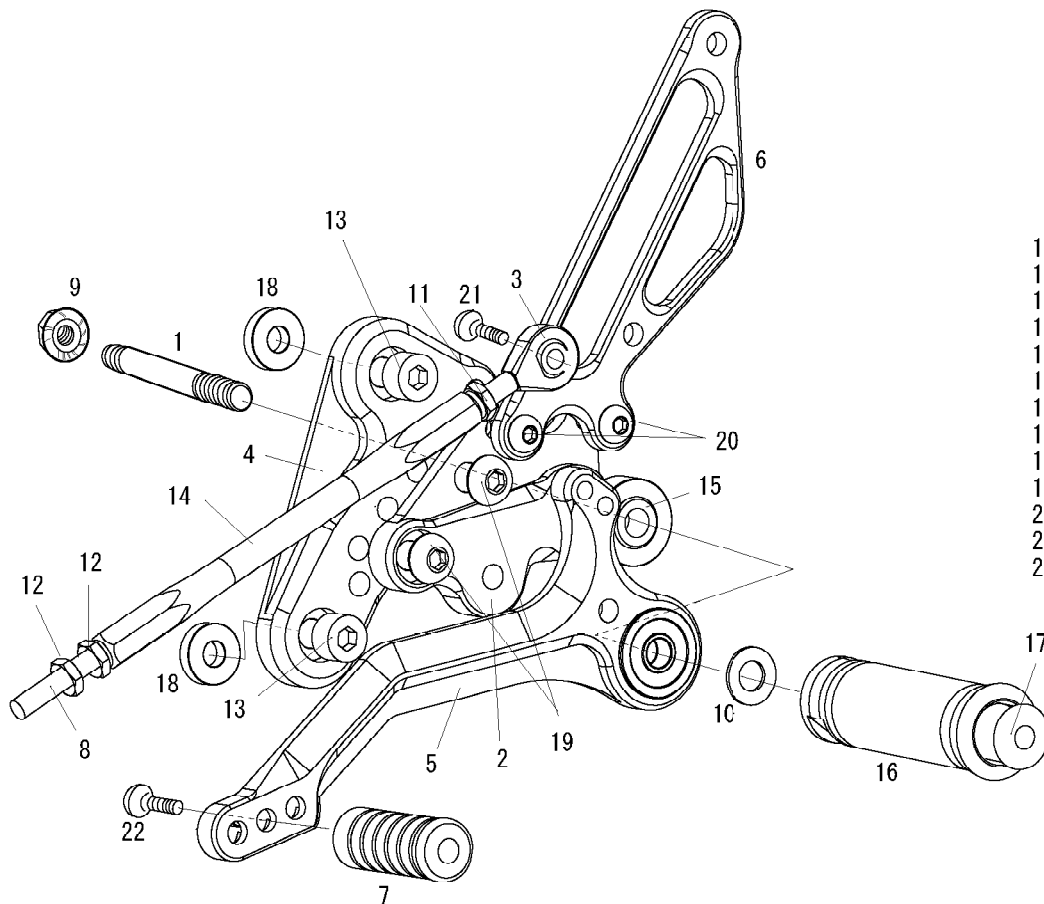


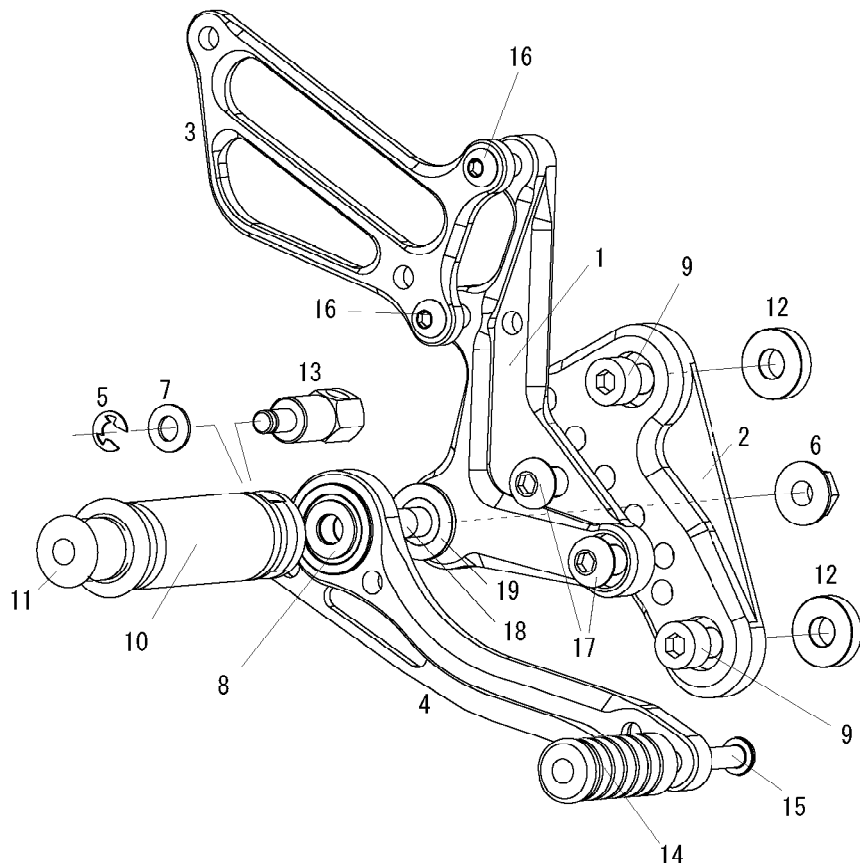
GSX1300R Hayabusa '08 REVERSE PATTERN (L)



1. STUD BOLT LONG
2. STEP PLATE [L]
3. MALE REVERSE ROD END M6
4. BASE PLATE [L]
5. SHIFT PEDAL (SPD5)
6. HEEL GUARD [L] (HG8)
7. PEDAL TIP DELRIN
8. STUD M6×45
9. FLANGE NUT M8
10. PEG WASHER M8
11. REVERSE JAM NUT M6
12. JAM NUT M6 ×2
13. SOCKET HEAD M8×20mm ×2
14. SHIFT ROD 140
15. FOOT PEG BEARING COLLAR 10
16. FOOT PEG
17. FOOT PEG END CAP
18. BASE PLATE COLLAR 5 (BK) ×2
19. BUTTON HEAD M8×15mm ×2
20. BUTTON HEAD M6×10mm ×2
21. BUTTON HEAD M6×15mm
22. BUTTON HEAD M6×20mm



GSX1300R Hayabusa '08 (R)



1. STEP PLATE [R]
2. BASE PLATE [R]
3. HEEL GUARD [R] (HG1)
4. BRAKE PEDAL 150 (BPD1)
5. E CLIP M6
6. FLANGE NUT M8
7. PLAIN WASHER M6
8. PEG WASHER M8
9. SOCKET HEAD M8×25mm ×2
10. FOOT PEG
11. FOOT PEG END CAP
12. BASE PLATE COLLAR 5 (BK) ×2
13. BRAKE ROD M40
14. PEDAL TIP DELRIN
15. BUTTON HEAD M6×20mm
16. BUTTON HEAD M6×25mm ×2
17. BUTTON HEAD M8×15mm ×2
18. STUD BOLT SHORT
19. BEARING WASHER SUS

