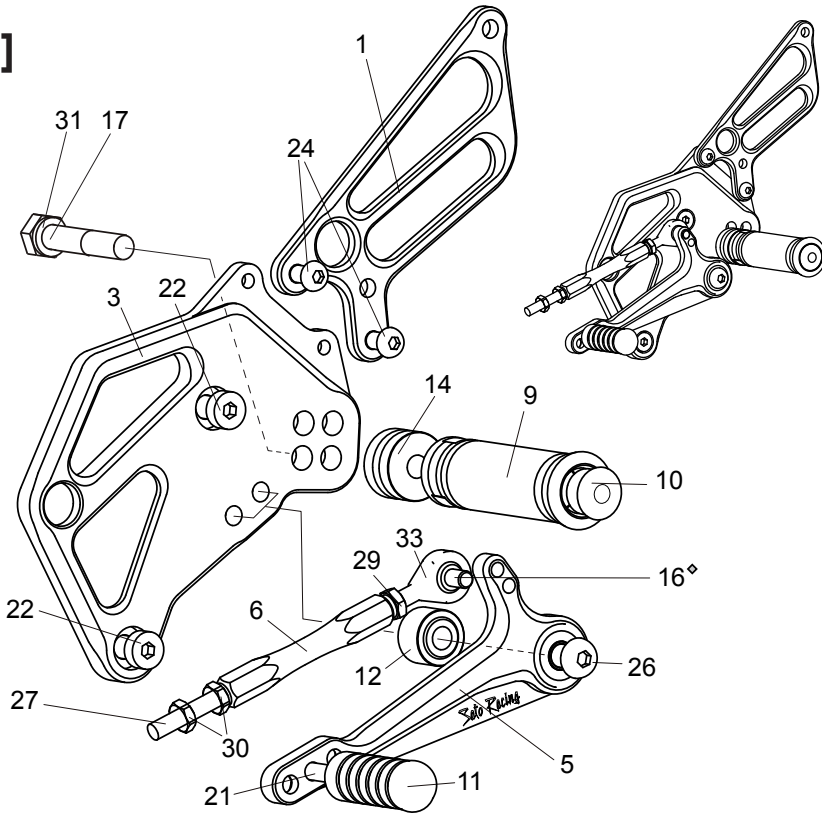
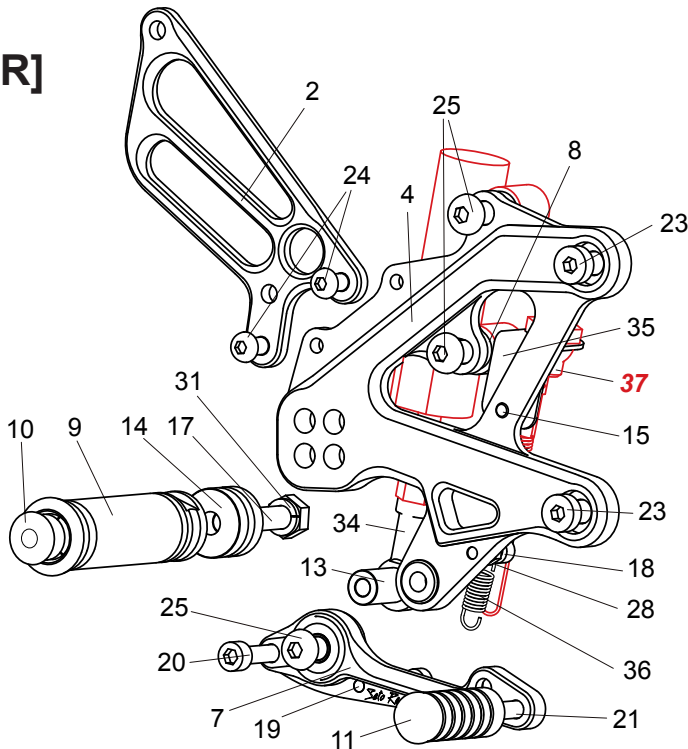


[L]



1. (L) HEEL GUARD [HG-6L]
2. (R) HEEL GUARD [HG-6R]
3. (L) STEP PLATE [K-25018SP-L]
4. (R) STEP PLATE [K-25018SP-R]
5. SHIFT PEDAL [SPD-SCP70]
6. SHIFT ROD 75 (BK) [SRD-75B]
7. BRAKE PEDAL [BPD-SSBP165]
8. STAY (BK) [STAY-L49T8]
9. FOOT PEG [PEG] x 2
10. FOOT PEG END CAP [ST-002] x 2
11. PEDAL TIP (DELRIN) [ST-001D18] x 2
12. BEARING COLLAR 13 (BK) [PEGBGCLR-13SB]
13. ROD END COLLAR 23 (BK) [RDEDCLR-23]
14. PEG COLLAR 15 [PEGCLR-15] x 2
15. HEX HEAD M5 x 6mm [HBT-M56]
16. HEX HEAD M6 x 18mm [HBT-M618]
17. HEX HEAD M8 x 40mm [HBT-M840] x 2
18. SOCKET HEAD M5 x 15mm [SBT-M515]
19. SOCKET HEAD M5 x 35mm [SBT-M535]
20. SOCKET HEAD M6 x 50mm [SBT-M650]
21. LOW SOCKET HEAD M6 x 20mm [LSBT-M620] x 2
22. LOW SOCKET HEAD M8 x 15mm [LSBT-M815] x 2
23. LOW SOCKET HEAD M8 x 20mm [LSBT-M820] x 2
24. BUTTON HEAD M6 x 10mm [BBT-M610] x 4
25. BUTTON HEAD M8 x 25mm [BBT-M825] x 3
26. BUTTON HEAD M8 x 40mm [BBT-M840]
27. REVERSE STUD M6 [STUD-M6L]
28. NUT M5 [NUT-5] x 2
29. JAM NUT M6 [JNT-6]
30. REVERSE JAM NUT M6 [JNT-6L] x 2
31. SPLIT WASHER M8 [SWS-8] x 2
32. LOCK NUT M6 [LNT-6]
33. MALE ROD END M6 [RDEM-M6]
34. FEMALE ROD END 6-M8 [RDED-F6-8]
35. PULL SWITCH STAY 16 [PSTAY-16]
36. RETURN SPRING 8-25 [RS-RSP8-25]

[R]



**KAWASAKI PARTS:**  
**37. PULL SWITCH / SPRING**  
**38. MASTER CYLINDER**  
**39. NUT**

