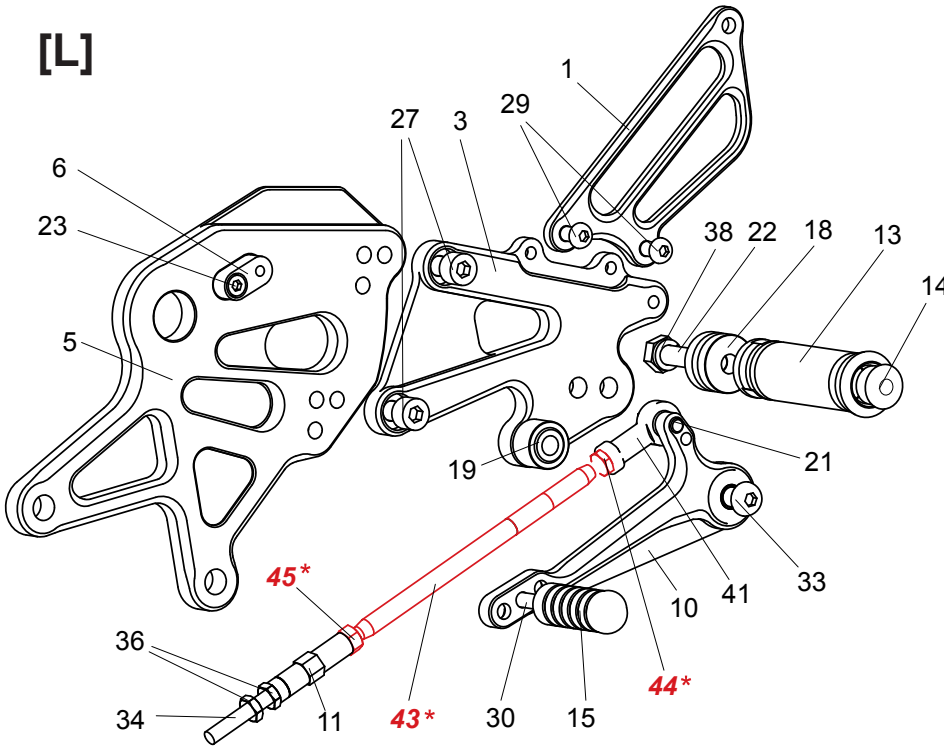
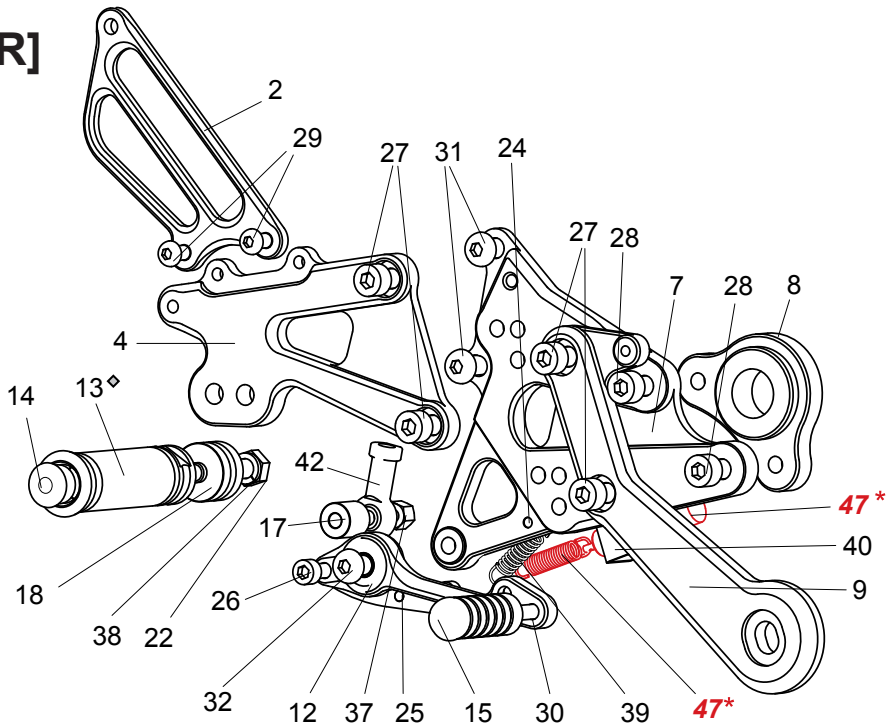


[L]



Flat side of **BEARING COLLAR 13 (#19)** should face **STEP PLATE (#3)**, with the stepped side facing out toward shift pedal bearings.

[R]



1. (L) HEEL GUARD [HG-2L]
2. (R) HEEL GUARD [HG-2R]
3. (L) STEP PLATE [K-65017SP-L]
4. (R) STEP PLATE [K-65017SP-R]
5. (L) BASE PLATE (BK) [K-65017BP-L]
6. SPACER L
7. (R) BASE PLATE (BK) [K-65017BP-R]
8. (R) BASE PLATE R-3 (BK)
9. (R) BRACKET (BK)
10. SHIFT PEDAL [SPD-SCP70]
11. SHIFT ROD 40 (BK) [SRD-40B]
12. BRAKE PEDAL [BPD-SSBP165]
13. FOOT PEG [PEG] x 2
14. FOOT PEG END CAP [ST-002] x 2
15. PEDAL TIP (DELRIN) [ST-001D18] x 2
17. ROD END COLLAR 15 (BK) [RDED-CLR15]
18. PEG COLLAR 15 [PEGCLR-15] x 2
19. BEARING COLLAR 13(BK) [PEGBGCLR-13SB]
20. HEX HEAD M5x8mm [HBT-M58]
21. HEX HEAD M6x18mm [HBT-M618]
22. HEX HEAD M8x40mm [HBT-M840] x 2
23. SOCKET HEAD M5x10mm [SBT-M510]
24. SOCKET HEAD M5x15mm [SBT-M515]
25. SOCKET HEAD M5x35mm [SBT-M535]
26. SOCKET HEAD M6x40mm [SBT-M640]
27. SOCKET HEAD M8x15mm [SBT-M815] x 6
28. SOCKET HEAD M8x20mm [SBT-M820] x 2
29. BUTTON HEAD M6x10mm [BBT-M610] x 4
30. BUTTON HEAD M6x20mm [BBT-M620] x 2
31. BUTTON HEAD M8x15mm [BBT-M815] x 2
32. BUTTON HEAD M8x25mm [BBT-M825]
33. BUTTON HEAD M8x40mm [BBT-M840]
34. REVERSE STUD M6 [STUD-M6L]
35. NUT M5 [NUT-5] x 2
36. REVERSE JAM NUT M6 [JNT-6L] x 2
37. LOCK NUT M6 [LNT-6]
38. SPLIT WASHER M8 [SWS-8] x 2
39. RETURN SPRING 8-25 [RS-RSP8-25]
40. PULL SWITCH STAY 16 [PSTAY-16]
41. REVERSE FEMALE ROD END M6 [RDED-F6L]
42. FEMALE ROD END 6-M8 [RDED-F6-8]

***Stock Kawasaki Parts:**

- 43. ROD**
- 44. NUT**
- 45. NUT**
- 47. PULL SWITCH + SPRING**

(BACK SIDE)

