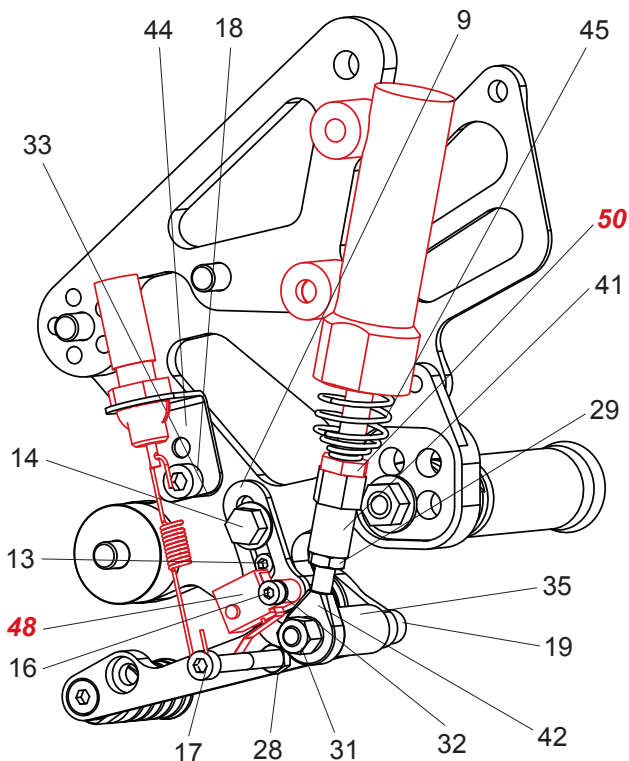
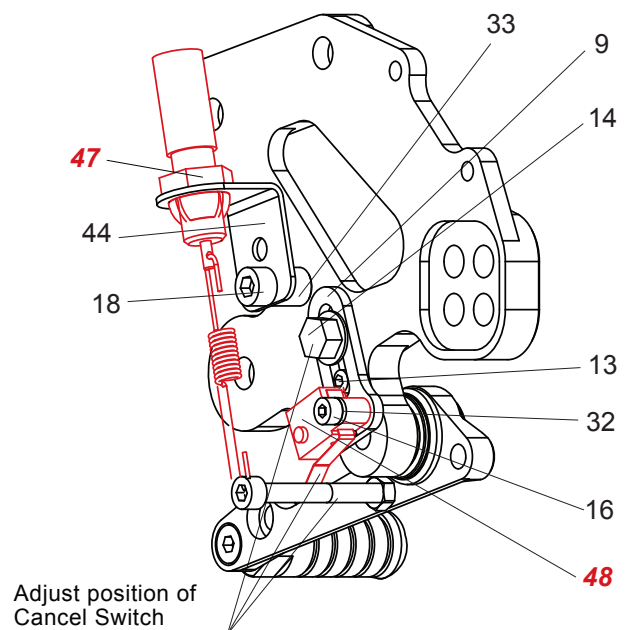


2. (R) HEEL GUARD [HG-20R]
4. (R) STEP PLATE [K-H2SXSP-R]
7. BRAKE PEDAL [BPD-SPB145]
8. MASTER BASE (BK) [K-H2SXMS]
9. SWITCH BASE [SWB-KH2SX]
10. FOOT PEG [PEG]
11. FOOT PEG END CAP [ST-002]
12. PEDAL TIP (DELRIN) [ST-001D18]
13. SET SCREW M6 x 8mm [SSCW-M68]
14. FLANGE HEAD M6 x 10mm [FGBT-M610]
16. SOCKET HEAD M4 x 12mm [SBT-M412]
17. SOCKET HEAD M5 x 45mm [SBT-M545]
18. SOCKET HEAD M6 x 18mm [SBT-M618]
19. SOCKET HEAD M6 x 55mm [SBT-M655]
21. SOCKET HEAD M8 x 25mm [SBT-M825] x 3
22. LOW SOCKET HEAD M6 x 20mm [LSBT-M620]
23. BUTTON HEAD M6 x 10mm [BBT-M610] x 2
24. BUTTON HEAD M8 x 20mm [BBT-M820] x 2
25. BUTTON HEAD M8 x 25mm [BBT-M825]
27. STUD BOLT M8 x 45mm [STBT-45]
28. NUT M5 [NUT-5]
29. JAM NUT M6 [JNT-6]
30. FLANGE NUT M8 [FNT-8]
31. LOCK NUT M6-1 [LNT-6-1]
32. SPLIT WASHER M4 [SWS-4]
33. COLLAR 10-6 (SV) [CLR-10-6]
35. ROD END COLLAR 29 (BK) [RDED-CLR29]
38. BASE PLATE COLLAR 12 (30mm) (BK) [BPCLR-12-30]
39. PEG COLLAR 15 [PEGCLR-15]
41. ROD ADAPTER M6-8 [RDED-M6]
42. MALE ROD END M6 [RDEM-M6]
44. PULL SWITCH STAY 16 [PSTAY-16]
45. RETURN SPRING 40 [RS-RSP]
- 47. PULL SWITCH (Stock Kawasaki Part)**
- 48. CANCEL SWITCH (Stock Kawasaki Part)**
- 50. NUT (Stock Kawasaki Part)**

(BACK VIEW)



(BACK SIDE DETAIL)



For relocating Brake Reservoir (Not pictured):  
 SOCKET HEAD M6 x 10mm [SBT-M610]  
 BRACKET M6 x 25mm (BK) [UB-M625-B]