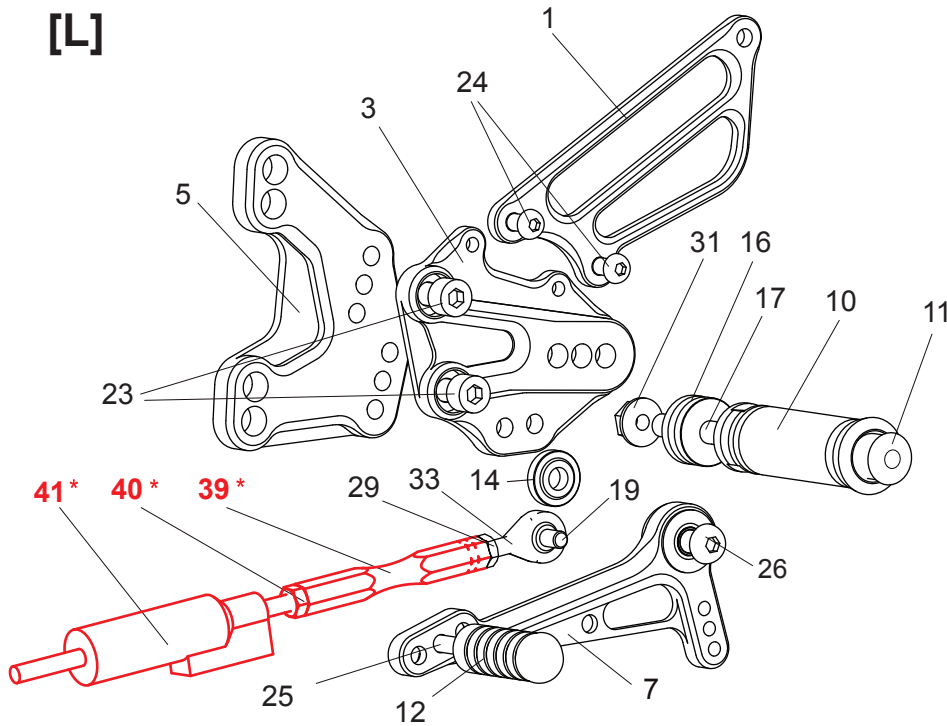


KAWASAKI ZX-10R ('16-'20) REAR SETS

part# K-ZX1016RS

[L]



1. [L] HEEL GUARD [HG-2L]
2. [R] HEEL GUARD [HG-2R]
3. [L] STEP PLATE [H-CBR609ASP-L]
4. [R] STEP PLATE [H-CBR109ASP-R]
5. [L] BASE PLATE [K-ZX1011BP-L]
6. [R] BASE PLATE [K-ZX1011BP-R]
7. SHIFT PEDAL [SPD-14]
8. BRAKE PEDAL [BPD-15]
9. ROD ADAPTER M6-8 [BRD-ADPTRM6-8]
10. FOOT PEG [PEG] x 2
11. FOOT PEG END CAP [ST-002] x 2
12. PEDAL TIP (DELRIN) [ST-001D18] x 2
13. BEARING COLLAR 3 (BK) [BGCLR3]
14. BEARING COLLAR 5 (BK) [BGCLR5]
15. ROD END COLLAR 20 (BK) [RDEDCLR20]
16. PEG COLLAR 12 [PEGCLR12] x 2
17. STUD BOLT M8-45mm [STBT-45] x 2
18. HEX HEAD M5-8mm [HBT-M58]
19. HEX HEAD M6-18mm [HBT-M618]
20. SOCKET HEAD M5x15mm [SBT-M515]
21. SOCKET HEAD M5-35mm [SBT-M535]
22. SOCKET HEAD M6-45mm [SBT-M645]
23. SOCKET HEAD M8-15mm [SBT-M815] x 6
24. BUTTON HEAD M6-10mm [BBT-M610] x 4
25. BUTTON HEAD M6-20mm [BBT-M620] x 2
26. BUTTON HEAD M8-30mm [BBT-M830] x 2
27. NUT M5 [NUT-5] x 2
28. JAM NUT M6 [JNT-6]
29. REVERSE JAM NUT M6 [JNT-6L]
30. LOCK NUT M6 [LNT-6]
31. FLANGE NUT M8 [FNT-8] x 2
32. MALE ROD END M6 [RDED-M6]
33. REVERSE MALE ROD END M6 [RDED-M6L]
34. PULL SWITCH STAY 16 [PSTAY-16]
35. RETURN SPRING 8-25 [RS-RSP825]

* 36. MASTER CYLINDER (Kawasaki Part)

* 37. NUT (Kawasaki Part)

* 38. PULL SWITCH (Kawasaki Part)

* 39. SHIFT ROD (Kawasaki Part)

* 40. NUT (Kawasaki Part)

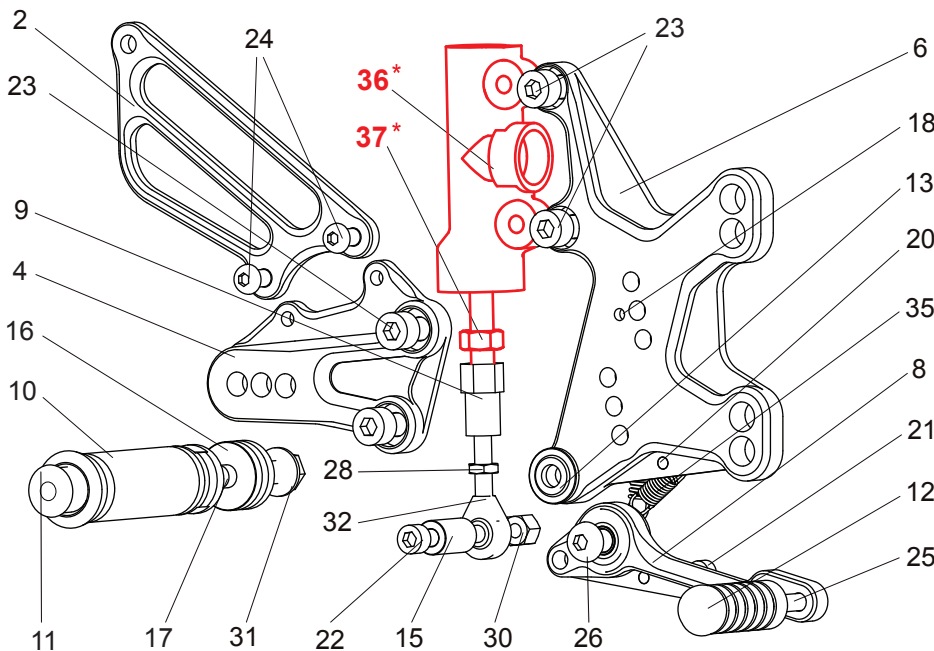
* 41. SHIFTER SWITCH (Kawasaki Part)

(Not Pictured)

- SOCKET HEAD M6x15mm [SBT-M515]

- UNIVERSAL STAY (For relocating reservoir)

[R]



(Back Side)

