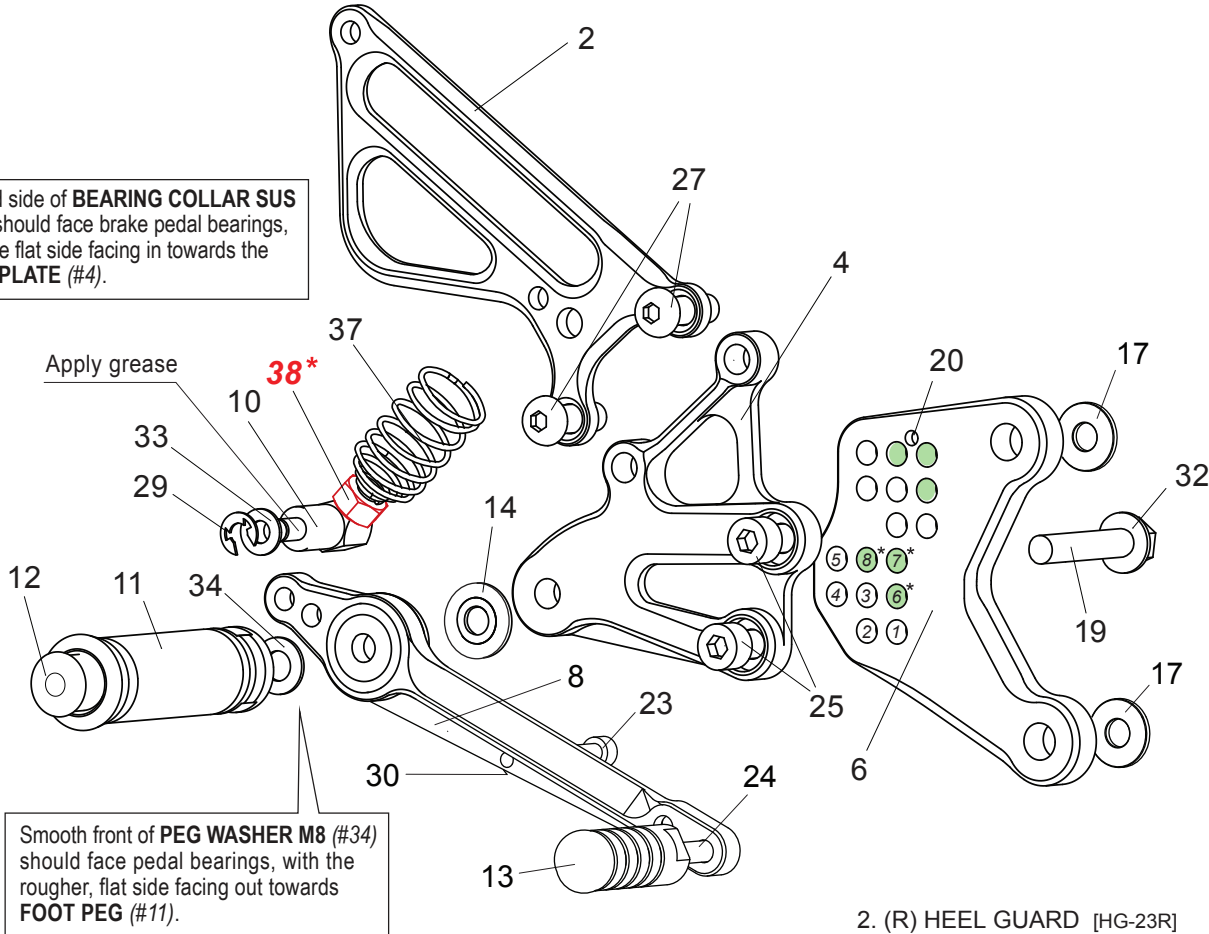


part# K-ZX619RSR

Raised side of **BEARING COLLAR SUS (#14)** should face brake pedal bearings, with the flat side facing in towards the **STEP PLATE (#4)**.



Smooth front of **PEG WASHER M8 (#34)** should face pedal bearings, with the rougher, flat side facing out towards **FOOT PEG (#11)**.

* Positions 1-5 are compatible with the stock brake light pull switch.
Positions 6-8 requires using a pressure-type brake light switch (part# BSW-125) (sold separately)

- 2. (R) HEEL GUARD [HG-23R]
- 4. (R) STEP PLATE [K-ZX613SP-R]
- 6. (R) BASE PLATE [K-ZX613BP-R]
- 8. BRAKE PEDAL [BPD-19]
- 9. PULL SWITCH STAY 16 [PSTAY-16]
- 10. BRAKE ROD [BRD-M40]
- 11. FOOT PEG [PEG] (Includes End Cap)
- 12. FOOT PEG END CAP [ST-002]
- 13. PEDAL TIP (DELRIN) [ST-001D18]
- 14. BEARING COLLAR SUS [BGCLR-SUS]
- 17. BASE PLATE COLLAR 2 (BK) [BPCLR-2] x 2
- 19. STUD BOLT M8 x 50mm [STBT-50]
- 20. HEX HEAD M5 x 8mm [HBT-M58]
- 23. SOCKET HEAD M5 x 45mm [SBT-M545]
- 24. LOW SOCKET HEAD M6 x 20mm [LSBT-M620]
- 25. LOW SOCKET HEAD M8 x 15mm [LSBT-M815] x 2
- 27. BUTTON HEAD M8 x 25mm [BBT-M825] x 2
- 29. E-CLIP M6 [ECP-6]
- 30. NUT M5 [NUT-5]
- 32. FLANGE NUT M8 [FNT-8]
- 33. WASHER M6 [WS-6]
- 34. PEG WASHER M8 [PWS-8]
- 37. RETURN SPRING 40 [RS-RSP]

* 38. NUT (STOCK KAWASAKI PART)

(BACK SIDE)

