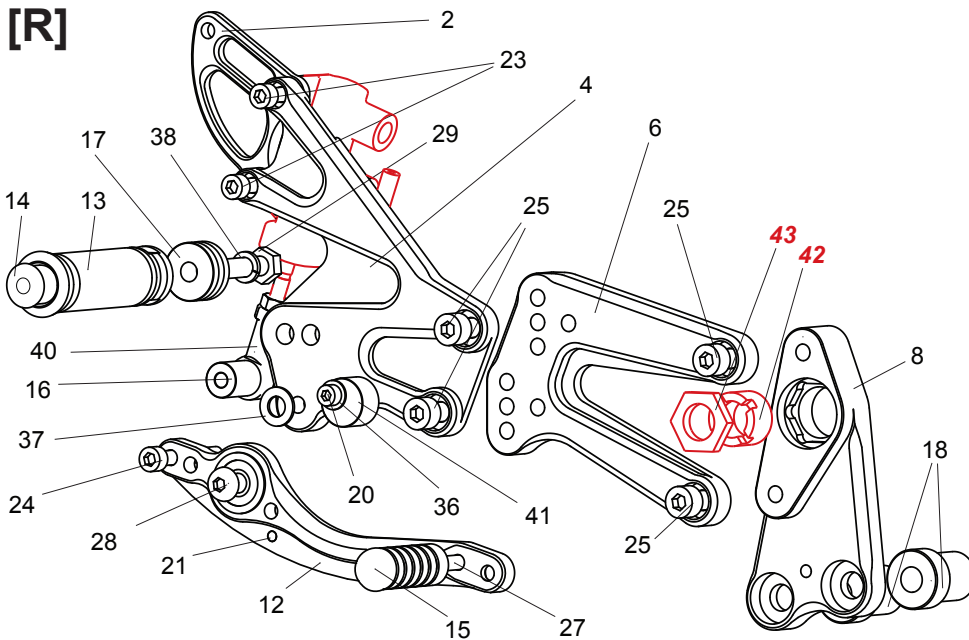


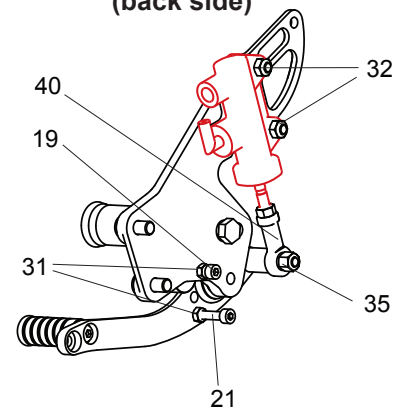
# KTM RC390 / RC125 ('14-) REAR SETS

part# KTM-RC390RS

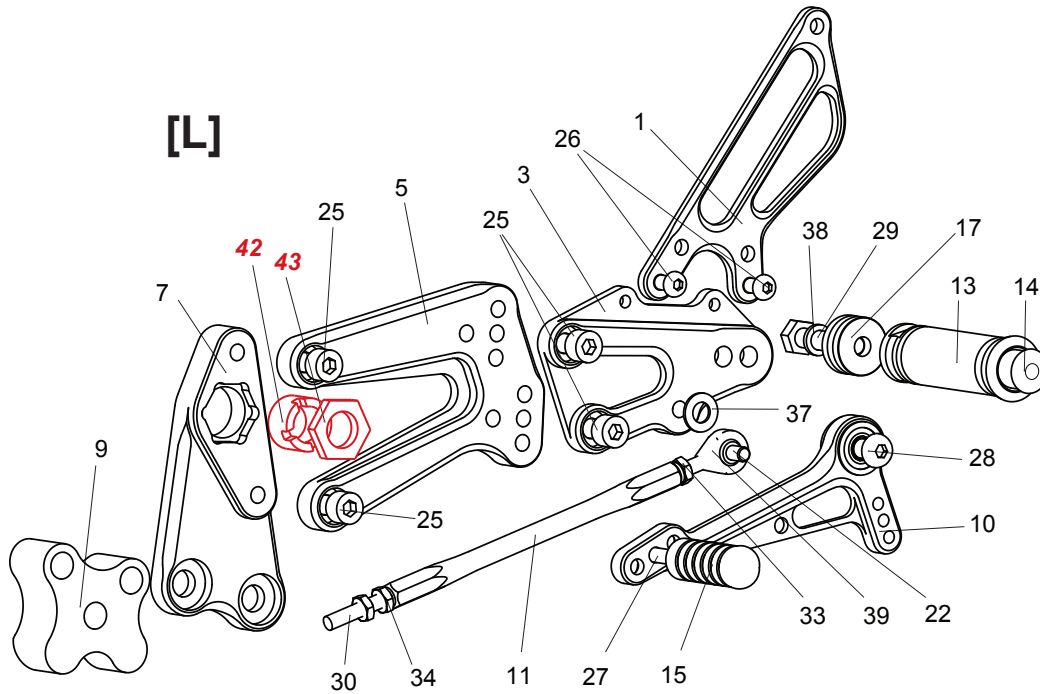
[R]



(back side)



[L]



- |   |   |   |
|---|---|---|
| <p>1. (L) HEEL GUARD [HG-3L]<br/>                 2. (R) HEEL GUARD [HG-11R]<br/>                 3. (L) STEP PLATE [KTM-RC390SP-L]<br/>                 4. (R) STEP PLATE [KTM-RC390SP-R]<br/>                 5. (L) EXTENSION PLATE (BK) [KTM-RC390EP-L]<br/>                 6. (R) EXTENSION PLATE (BK) [KTM-RC390EP-L]<br/>                 7. (L) BASE PLATE (BK) [KTM-RC390BP-L]<br/>                 8. (R) BASE PLATE (BK) [KTM-RC390BP-R]<br/>                 9. STAND BRACKET (BK)<br/>                 10. SHIFT PEDAL [SPD-14]<br/>                 11. SHIFT ROD 150 (BK) [SRD-150B]<br/>                 12. BRAKE PEDAL [BPD-2]<br/>                 13. FOOT PEG [PEG] x 2<br/>                 14. FOOT PEG END CAP [ST-002] x 2<br/>                 15. PEDAL TIP (DELRIN) [ST-001D] x 2<br/>                 16. COLLAR 19-6 (BK) [RDED-CLR19]</p> | <p>17. PEG COLLAR 12 [PEGCLR-12] x 2<br/>                 18. COLLAR 33-10 (BK) [CLR-33-10] x 2<br/>                 19. SOCKET HEAD M5x10mm [SBT-M510]<br/>                 20. SOCKET HEAD M5x20mm [SBT-M520]<br/>                 21. SOCKET HEAD M5x25mm [SBT-M525]<br/>                 22. SOCKET HEAD M6x18mm [SBT-M618]<br/>                 23. SOCKET HEAD M6x25mm [SBT-M625] x 2<br/>                 24. SOCKET HEAD M6x45mm [SBT-M645]<br/>                 25. SOCKET HEAD M8x15mm [SBT-M815] x 8<br/>                 26. BUTTON HEAD M6x10mm [BBT-M610] x 2<br/>                 27. BUTTON HEAD M6x20mm [BBT-M620] x 2<br/>                 28. BUTTON HEAD M8x25mm [SBT-M825] x 2<br/>                 29. HEX BOLT M8x40mm [HBT-M840] x 2<br/>                 30. REVERSE STUD M6x45mm [STUD-M6L]<br/>                 31. NUT M5 [NUT-5] x 2<br/>                 32. NUT M6 [NUT-6] x 2</p> | <p>33. JAM NUT M6 [JNT-6]<br/>                 34. REVERSE JAM NUT M6 [JNT-6L] x 2<br/>                 35. LOCK NUT M6 [LNT-6]<br/>                 36. WASHER M5 [WS-5]<br/>                 37. SMALL WASHER [PWS-8] x 2<br/>                 38. SPLIT WASHER M8 [SWS-8] x 2<br/>                 39. MALE ROD END M6 [RDED-M6]<br/>                 40. FEMALE ROD END M6 [RDED-F6]<br/>                 41. PEDAL STOPPER (DELRIN) [BPD-STOPPER]<br/> <b>43. ADJUSTER BOLT x 2 (Stock KTM parts)</b><br/> <b>44. HEX WASHER x 2 (Stock KTM parts)</b></p> |
|---|---|---|

Not pictured:  
 WASHER M10 [WS-10] x 2  
 (for kickstand mount bolts)