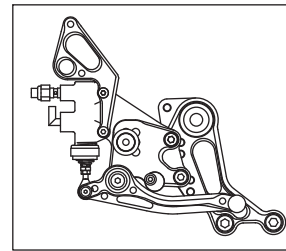
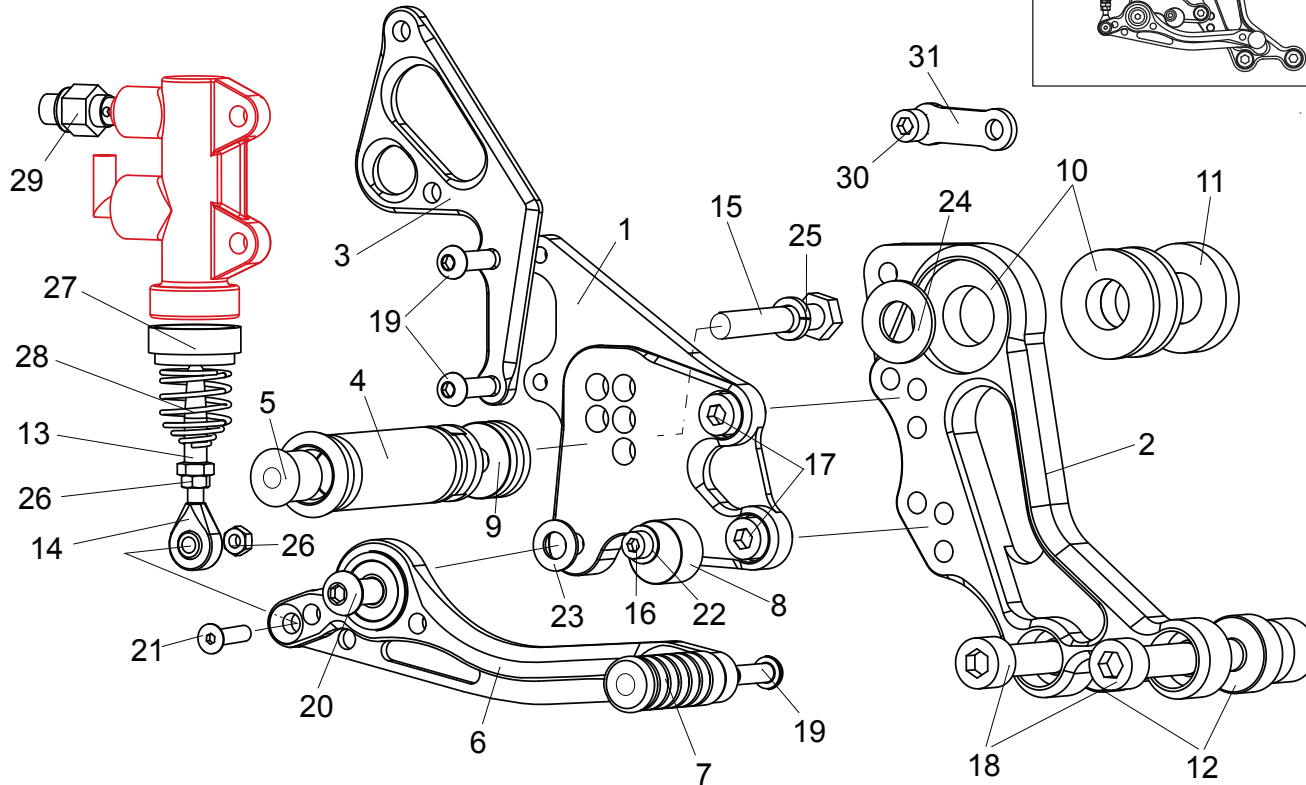


**DUCATI MONSTER 796
 REAR SETS** part# D-M796RS



[R]-SIDE



1. (R) STEP PLATE [D-M796SP-R]
2. (R) BASE PLATE [D-M796BP-R]
3. (R) HEEL GUARD [HG-21R]
4. FOOT PEG [PEG]
5. FOOT PEG END CAP [ST-002]
6. BRAKE PEDAL 150-2 [BPD-14]
7. PEDAL TIP (DELRIN) [ST-001D18]
8. PEDAL STOPPER (DELRIN) [BPD-STOPPER]
9. FOOT PEG COLLAR 12 [PEGCLR-12]
10. COLLAR 3.5(BK) (*pre-installed*) x 2
11. COLLAR 7.5(BK) [CLR-7.5M796]
12. COLLAR 33-10(BK) [CLR-33-10] x 2
13. PUSH ROD (*for Brembo*) [PRD]
14. MALE ROD END M5 [RDED-M5]
15. HEX HEAD M8x40mm [HBT-M840]
16. SOCKET HEAD M5x25mm [SBT-M525]
17. SOCKET HEAD M8x16mm [SBT-M816] x 2
18. SOCKET HEAD M10x60mm (*P-1.5*) x 2
19. BUTTON HEAD M6x20mm [BBT-M620] x 3
20. BUTTON HEAD M8x25mm [BBT-M825]
21. FLAT HEAD M5x20mm [FBT-M520]
22. WASHER M5 [WS-5]
23. PEG WASHER M8 [PWS-8]
24. WASHER M12 [WS-12]
25. SPLIT WASHER M8 [SWS-8]
26. NUT M5 [NUT-5] x 2
27. RETURN SPRING COLLAR [RS-RSCLR]
28. RETURN SPRING 20 [RS-RSP2]
29. BRAKE LIGHT SWITCH P-1.0 [BSW-1]
30. SOCKET HEAD M6x10mm [SBT-M810]
31. UNIVERSAL BRACKET M6x25mm [UB-M625-B]

TANDEM BRACKETS (Optional)

part# D-MTB

- T-1. TANDEM HOLDER x 2
- T-2. HEX21 L30 M12-M8
- T-3. HEX21 L35 M12-M8
- T-4. TANDEM BRACKET [R]
- T-5. TANDEM BRACKET [L]
- T-6. BOLT M12x265mm
- T-7. SOCKET HEAD M8x16mm x 4
- T-8. BUTTON HEAD M8x16mm x 2

