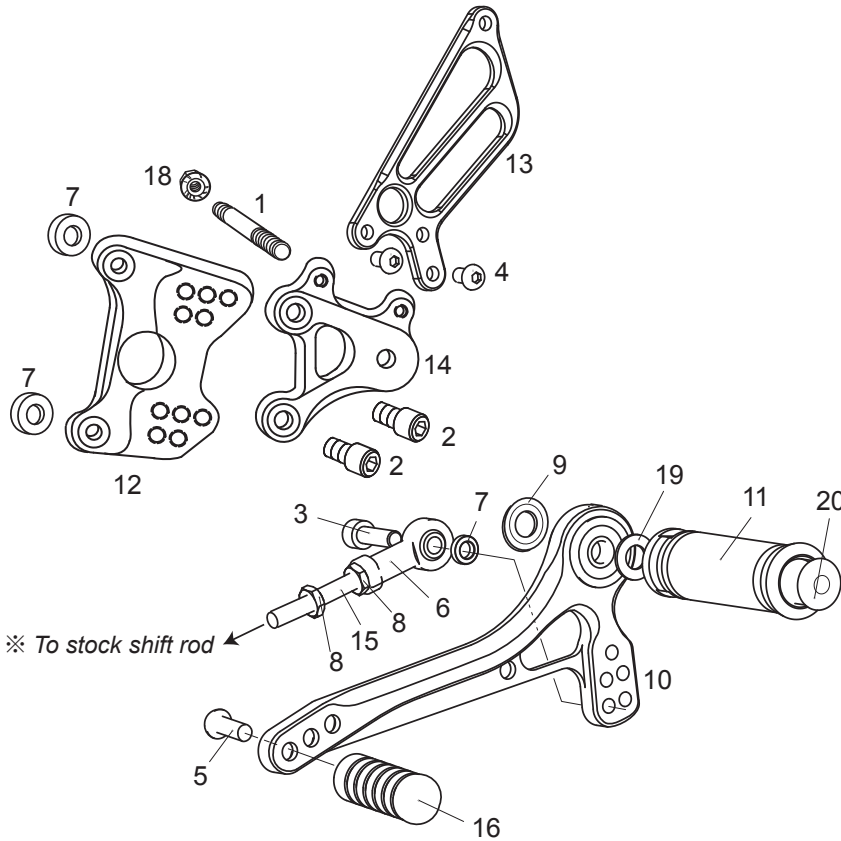


[L]



※ To stock shift rod

※ If you would like to use our Shift Rod instead of the stock one, we recommend SHIFT ROD 160 [SRD-160] (available separately)

[L]-SIDE

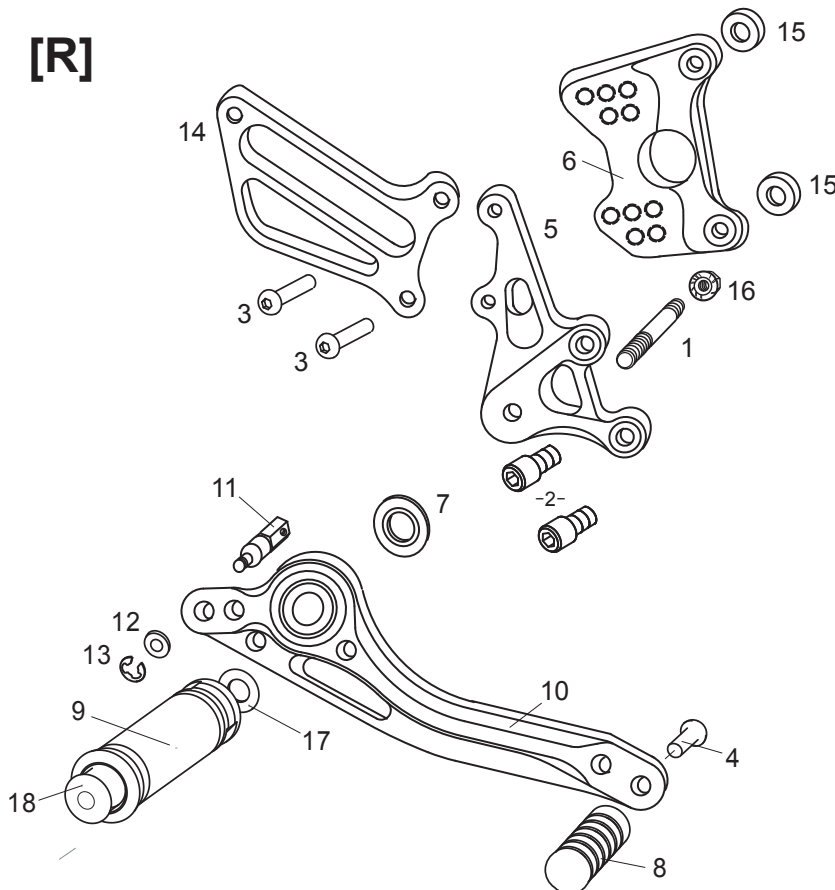
1. STUD BOLT M8x55mm [STBT-S]
2. SOCKET HEAD M8x15mm [SBT-M815] × 2
3. SOCKET HEAD M6x20mm [SBT-M620]
4. BUTTON HEAD M6x10mm [BBT-M610] × 2
5. BUTTON HEAD M6x20mm [BBT-M620]
6. FEMALE ROD END M6 [RDED-F6]
7. ROD END COLLAR 3 (GD) [RDED-CLR3]
8. JAM NUT M6 [JNT-6] × 2
9. BEARING COLLAR SUS [BGCLR-SUS]
10. SHIFT PEDAL 60 [SPD-0102]
11. FOOT PEG [PEG]
12. [L] BASE PLATE [H-RC30BP-L]
13. [L] HEEL GUARD [HG-6L]
14. [L] STEP PLATE [H-RC51SP-L]
15. STUD M6 [STUD-M6]
16. PEDAL TIP (DELRIN) [ST-001D / ST-001D18]
17. BASE PLATE COLLAR 5(BK) [BPCLR-5] × 2
18. FLANGE NUT M8 [FNT-8]
19. PEG WASHER M8 [PWS-8]
20. FOOT PEG END CAP [ST-002]

POSITIONS

	0mm	10mm Up
1	0mm	10mm Up
2	0mm	20mm Up
3	10mm Back	10mm Up
4	10mm Back	20mm Up
5	20mm Back	20mm Up

All measurements are in relation to stock position (0 mm)

[R]



[R]-SIDE

1. STUD BOLT M8x55mm [STBT-S]
2. SOCKET HEAD M8x15mm [SBT-M815] × 2
3. BUTTON HEAD M6x25mm [BBT-M625] × 2
4. BUTTON HEAD M6x20mm [BBT-M620]
5. [R] STEP PLATE [H-RC51SP-R]
6. [R] BASE PLATE [H-RC30BP-R]
7. BEARING COLLAR SUS [BGCLR-SUS]
8. PEDAL TIP (DELRIN) [ST-001D / ST-001D18]
9. FOOT PEG [PEG]
10. BRAKE PEDAL 150 [BPD-1]
11. BRAKE ROD M40 [BRD-M40]
12. PLAIN WASHER M6 [WS-6]
13. E CLIP M6 [ECP-6]
14. [R] HEEL GUARD [HG-1R]
15. BASE PLATE COLLAR 8(BK) [BPCLR-8] × 2
16. FLANGE NUT M8 [FNT-8]
17. PEG WASHER M8 [PWS-8]
18. FOOT PEG END CAP [ST-002]

Not Pictured:

BRAKE LIGHT SWITCH P-1.25 [BSW-125]