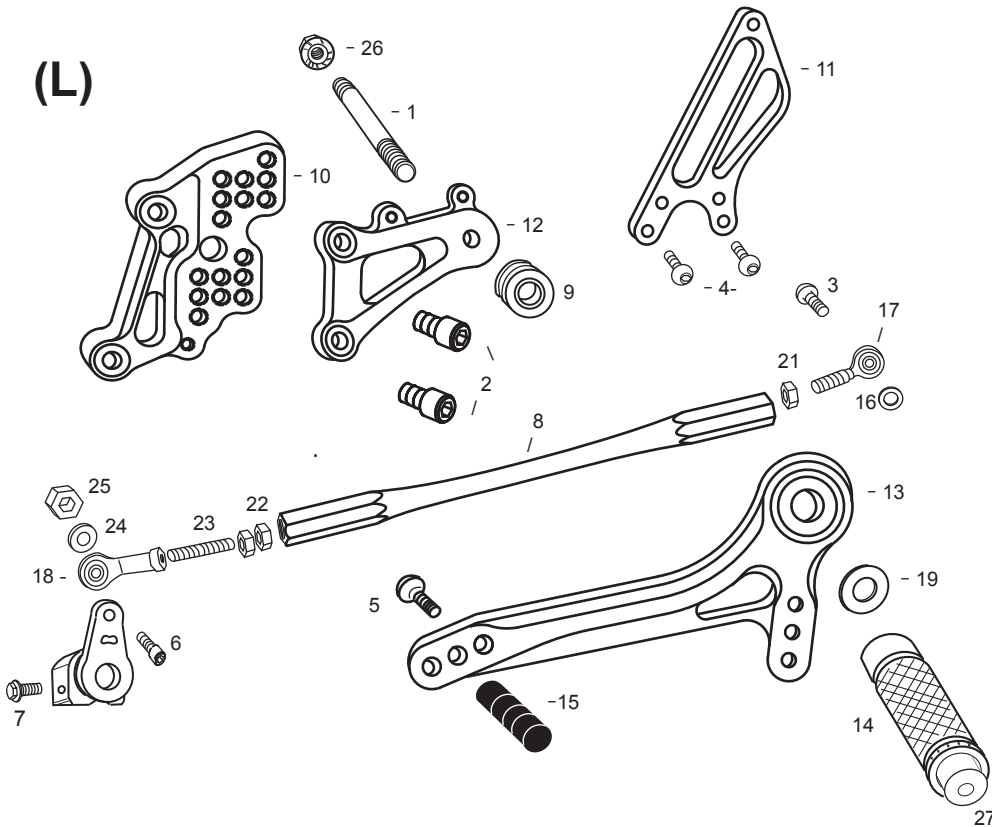


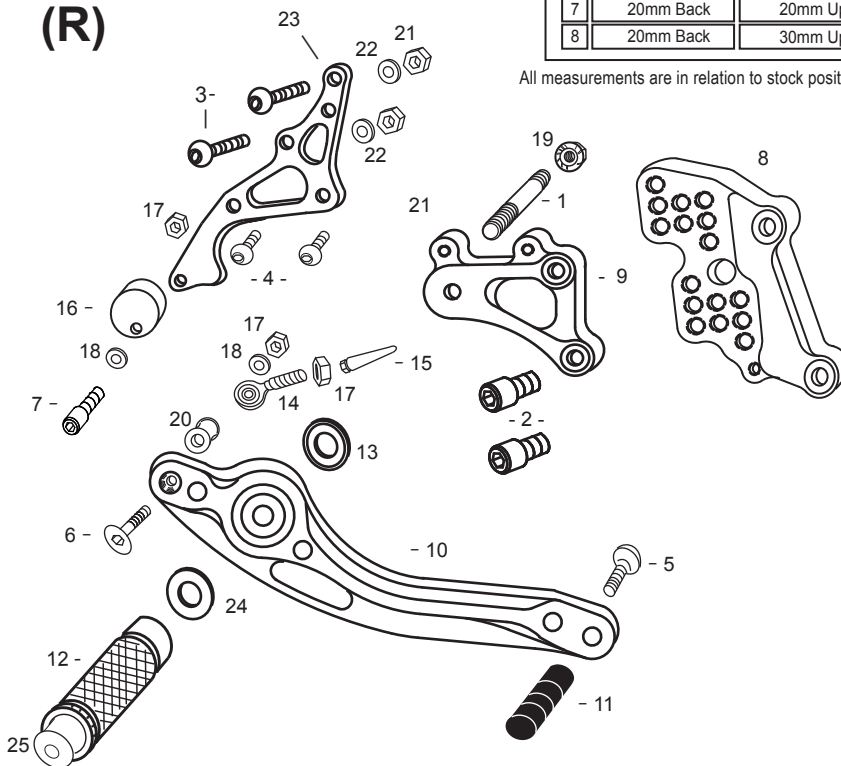
(L)



[L]-Side

1. STUD BOLT LONG [STBT-L]
2. SOCKET HEAD M8×15mm ×2
3. BUTTON HEAD M6×20mm
4. BUTTON HEAD M6×10mm ×2
5. BUTTON HEAD M6×20mm
6. SOCKET HEAD M6×25mm
7. FLANGE HEAD M6×20mm
8. SHIFT ROD 145 [SRD-145]
9. FOOT PEG BEARING COLLAR 10
10. BASE PLATE [L]
11. HEEL GUARD [L] [HG-3]
12. STEP PLATE [L]
13. SHIFT PEDAL 60 [SPD-1]
14. FOOT PEG
15. PEDAL TIP (DELRIN) [ST-001D]
16. ROD END COLLAR 3
17. MALE REVERSE ROD END M6
18. FEMALE ROD END M6
19. PEG WASHER M8
20. CHANGE ARM (BK) [CA-3]
21. REVERSE JAM NUT M6
22. JAM NUT M6 ×2
23. STUD M6
24. PLAIN WASHER M6
25. PLAIN NUT M6
26. FLANGE NUT M8
27. FOOT PEG END CAP

(R)



POSITIONS		
1	0mm	0mm
2	0mm	10mm Up
3	0mm	20mm Up
4	10mm Back	10mm Up
5	10mm Back	20mm Up
6	20mm Back	10mm Up
7	20mm Back	20mm Up
8	20mm Back	30mm Up

All measurements are in relation to stock position (0 mm)

[R]-Side

1. STUD BOLT SHORT [STBT-S]
2. SOCKET HEAD M8×15mm ×2
3. BUTTON HEAD M6×20mm ×2
4. BUTTON HEAD M6×10mm ×2
5. BUTTON HEAD M6×20mm
6. FLAT HEAD M5×35mm
7. SOCKET HEAD M5×25mm
8. BASE PLATE [R]
9. STEP PLATE [R]
10. BRAKE PEDAL 180T2 [BPD-6]
11. PEDAL TIP (DELRIN) [ST-001D]
12. FOOT PEG
13. BEARING COLLAR SUS [BGCLR-SUS]
14. MALE ROD END M5
15. PUSH ROD
16. PEDAL STOPPER (DELRIN)
17. PLAIN NUT M5 ×3
18. PLAIN WASHER M5 ×2
19. FLANGE NUT M8
20. ROD END COLLAR 12(BK)
21. PLAIN NUT M6 ×2
22. PLAIN WASHER M6 ×2
23. BRAKE MASTER STAY
24. PEG WASHER M8
25. FOOT PEG END CAP

(Not Pictured)

Brake Light Switch P-1.0 [BSW-1]