

DUCATI S2R/S4R REAR SETS

part# D-S4RS2

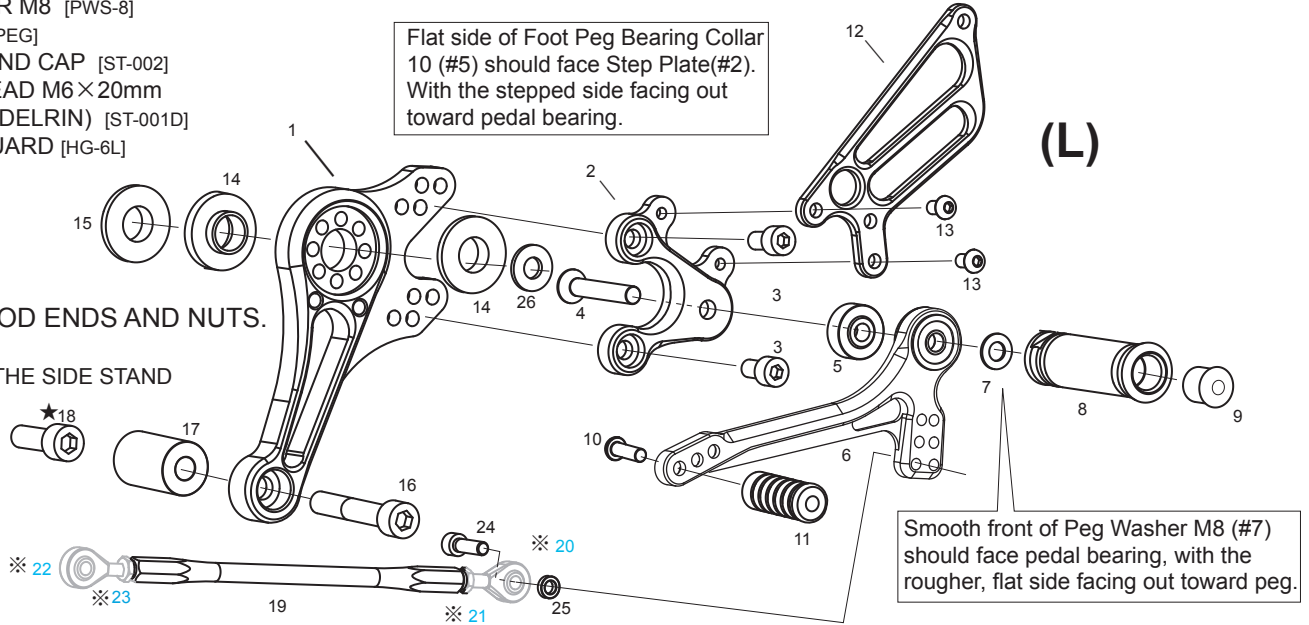
[L] SIDE

1. (L) BASE PLATE [D-S4R2BP-L]
2. (L) STEP PLATE [D-916SP-L]
3. SOCKET HEAD M8×15mm [SBT-M815] × 2
4. FLAT HEAD M8×45mm [FBT-M845]
5. FOOT PEG BEARING COLLAR 10 [PEGBGCLR-10]
6. SHIFT PEDAL 60-70 [SPD-0102]
7. PEG WASHER M8 [PWS-8]
8. FOOT PEG [PEG]
9. FOOT PEG END CAP [ST-002]
10. BUTTON HEAD M6×20mm
11. PEDAL TIP (DELRIN) [ST-001D]
12. (L) HEEL GUARD [HG-6L]
13. BUTTON HEAD M6×10mm [BBT-M610] × 2
14. COLLAR 3.5 (DELRIN) (pre-installed) × 2
15. COLLAR 7.5(BK)
16. SOCKET HEAD M10×60mm P-1.5 [SBT-M1060-15]
17. COLLAR 40(BK) [BPCLR-40]
18. SOCKET HEAD M10×30mm P-1.5 [SBT-M1030-15]
19. SHIFT ROD 180 [SRD-180]

- ※ 20. (REVERSE ROD END)
- ※ 21. (REVERSE NUT)
- ※ 22. (ROD END)
- ※ 23. (NUT)
- 24. SOCKET HEAD M6×20mm [SBT-M620]
- 25. ROD END COLLAR 3(GD) [RDED-CLR3]
- 26. WASHER M12 [ES-12]

※USE STOCK ROD ENDS AND NUTS.

★FOR THE SIDE STAND

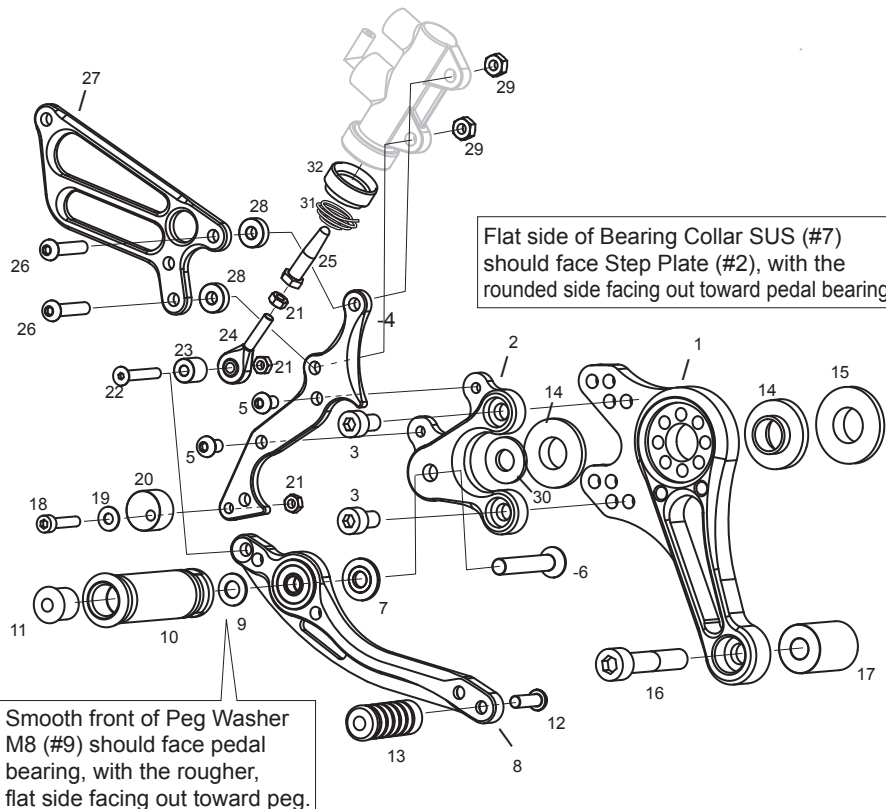


ADJUST THE STOCK CHANGE ARM WHEN INSTALLING SATO REAR SETS.

(R) P-1.0 brake light switch included.

[R] SIDE

1. (R) BASE PLATE [D-S4R2BP-R]
2. (R) STEP PLATE [D-916SP-R]
3. SOCKET HEAD M8×15mm [SBT-M815] × 2
4. MASTER STAY [D-S4MS]
5. BUTTON HEAD M6×10mm [BBT-M610] × 2
6. FLAT HEAD M8×45mm [FBT-M845]
7. BEARING COLLAR SUS [BGCLR-SUS]
8. BRAKE PEDAL 180-2 [BPD-6]
9. PEG WASHER M8 [PWS-8]
10. FOOT PEG [PEG]
11. FOOT PEG END CAP [ST-002]
12. BUTTON HEAD M6×20mm
13. PEDAL TIP (DELRIN) [ST-001D]
14. COLLAR 3.5 (DELRIN) (pre-installed) × 2
15. COLLAR 7.5(BK)
16. SOCKET HEAD M10×55mm P-1.5
17. COLLAR 35(BK) [BPCLR-35]
18. SOCKET HEAD M5×25mm [SBT-M525]
19. PLAIN WASHER M5 [WS-5]
20. PEDAL STOPPER (DELRIN) [BPD-STOPPER]
21. PLAIN NUT M5 [NUT-5] × 3
22. FLAT HEAD M5×35mm [FBT-M535]
23. ROD END COLLAR 12 [RDEDCLR-12]
24. MALE ROD END M5 [RDEM-M5]
25. PUSH ROD [PRD]
26. BUTTON HEAD M6×30mm [BBT-M630] × 2
- 27.(R) HEEL GUARD [R] [HG-6R]
28. HEEL GUARD COLLAR 5(BK) [HGCLR-5] × 2
29. NUT M6 [NUT-6] × 2
30. WASHER M12 [WS-12]
31. RETURN SPRING S [RS-RSP2]
32. RETURN SPRING COLLAR(BK) [RS-RSCLR]



Due to running improvements in the designs of Sato parts, some new replacement parts may look somewhat different than the original parts with the same part #. These slight differences are mostly cosmetic and have no effect on performance.