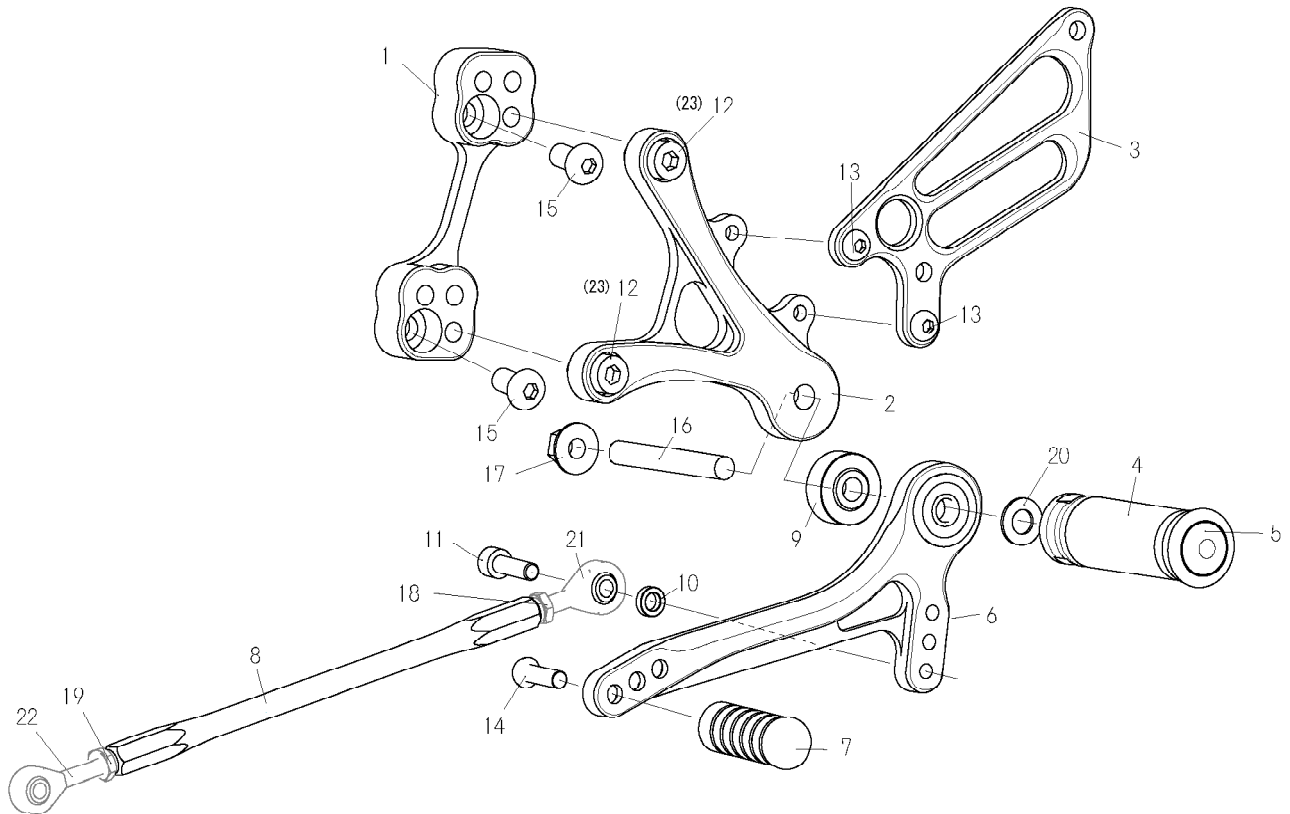


DUCATI SS900/1000(MH900e.PaulSmart1000LE.Sport1000)

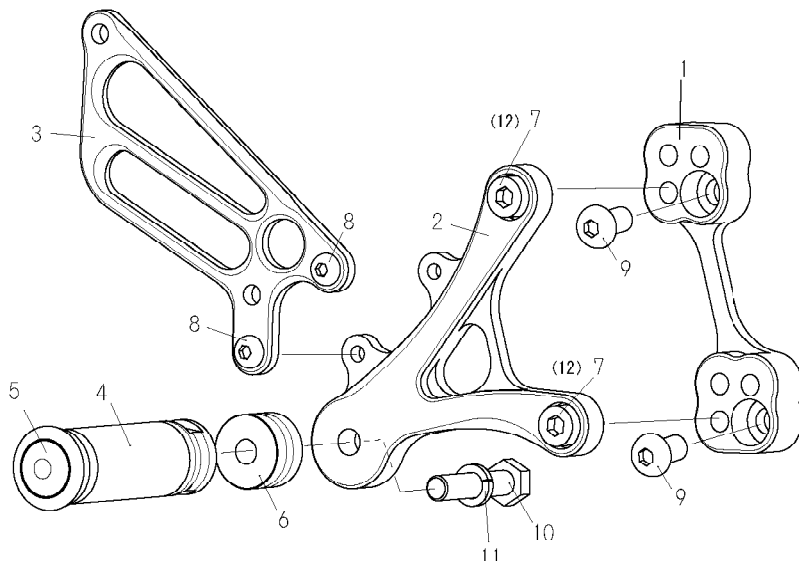
'98- Type I (L)

- | | | |
|--------------------------|-------------------------------|---------------------------------------|
| 1. BASE PLATE [L] | 9. FOOT PEG BEARING COLLAR 10 | 17. FLANGE NUT M8 |
| 2. STEP PLATE [L] | 10. ROD END COLLAR 3 | ★ 18. NUT M6 (STOCK) |
| 3. HEEL GUARD [L] (HG6) | 11. SOCKET HEAD M6 × 20 | ★ 19. REVERSE NUT M6 (STOCK) |
| 4. FOOT PEG | 12. SOCKET HEAD M8 × 15 × 2 | 20. PEG WASHER M8 |
| 5. FOOT PEG END CAP | 13. BUTTON HEAD M6 × 10 × 2 | ★ 21. MALE ROD END (STOCK) |
| 6. SHIFT PEDAL 60 (SPD1) | 14. BUTTON HEAD M6 × 20 | ★ 22. MALE REVERSE ROD END M6 (STOCK) |
| 7. PEDAL TIP DELRIN | 15. BUTTON HEAD M8 × 15 × 2 | 23. SOCKET HEAD M8 × 30 × 2 |
| 8. SHIFT ROD 180 | 16. STUD BOLT LONG | |



DUCATI SS900/1000(MH900e.PaulSmart1000LE.Sport1000)

'98- Type I (R)



- | | |
|-----------------------------|-----|
| 1. BASE PLATE [R] | |
| 2. STEP PLATE [R] | |
| 3. HEEL GUARD [R] (HG6) | |
| 4. FOOT PEG | |
| 5. FOOT PEG END CAP | |
| 6. FOOT PEG COLLAR 15 | |
| 7. SOCKET HEAD M8 × 15 × 2 | × 2 |
| 8. BUTTON HEAD M6 × 10 × 2 | × 2 |
| 9. BUTTON HEAD M8 × 15 × 2 | × 2 |
| 10. HEX HEAD M8 × 40 | |
| 11. SPLIT WASHER M8 | |
| 12. SOCKET HEAD M8 × 30 × 2 | × 2 |

POSITIONS		
1	15mm Forward	15mm Up
2	15mm Forward	27mm Up
3	27mm Forward	27mm Up
4	27mm Forward	15mm Up

All measurements are in relation to stock position (0 mm)