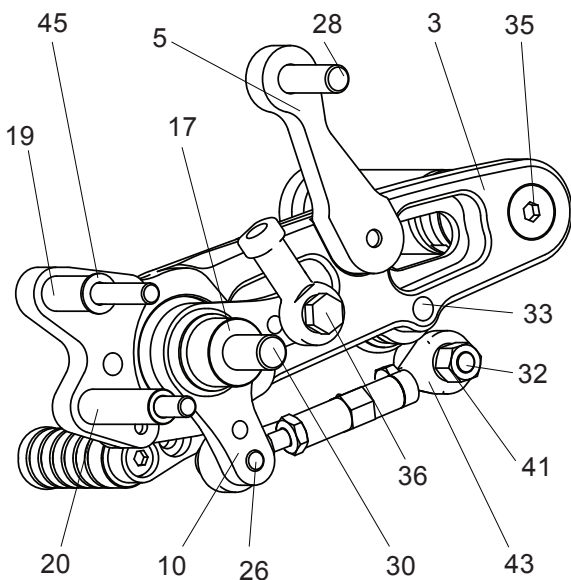


(Back Side)



- 3. (R) STEP PLATE
- 4. BRACKET 1
- 5. BRACKET 2 (BK)
- 9. BRAKE PEDAL [BPD-BPS102]
- 10. V-LINK M10 (BK)
- 11. ROD 40 [SRD-40]
- 12. FOOT PEG [PEG]
- 13. FOOT PEG END CAP [ST-002]
- 14. PEDAL TIP (DELRIN) [ST-001D18]
- 15. BEARING COLLAR 5 (BK) [PEGBGCLR-5SB]
- 17. BEARING COLLAR 12.5-10 (SUS)
- 19. COLLAR 22-6 (SV)
- 20. COLLAR 37-6 (SV)
- 21. ROD END COLLAR 10 (BK) [RDED-CLR10]
- 22. PEG COLLAR 15 [PEGCLR-15]
- 24. SOCKET HEAD M5x10mm [SBT-M510]
- 25. SOCKET HEAD M6x15mm [SBT-M615]
- 26. SOCKET HEAD M6x18mm [SBT-M618]
- 27. SOCKET HEAD M6x55mm [SBT-M655] x 2
- 28. SOCKET HEAD M8x30mm [SBT-M830]
- 30. SOCKET HEAD M10x55mm (P-1.25) [SBT-M1055]
- 31. BUTTON HEAD M6x20mm [BBT-M620]
- 32. BUTTON HEAD M6x35mm [BBT-M635]
- 33. BUTTON HEAD M8x30mm [BBT-M830]
- 35. FLAT HEAD M8x45mm [FBT-M845]
- 36. HEX HEAD M6x18mm [HBT-M618]
- 39. JAM NUT M6 [JNT-6]
- 40. REVERSE JAM NUT M6 [JNT-6L]
- 41. LOCK NUT M6 [LNT-6]
- 42. MALE ROD END M6 [RDED-M6]
- 43. REVERSE MALE ROD END M6 [RDED-M6L]
- 44. FEMALE ROD END 6-M8 [RDED-F6-8]
- 45. SMALL WASHER M6 [WS-6]

(not pictured)
- Brake Return Spring 20 [RS-RSP2]