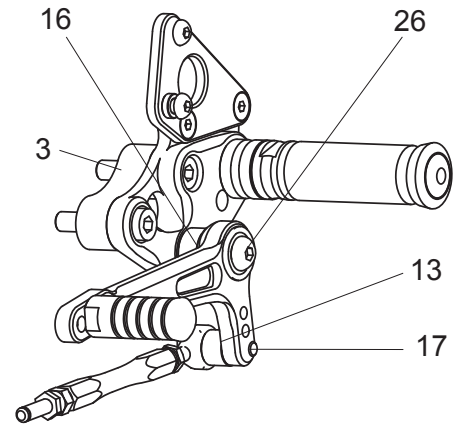
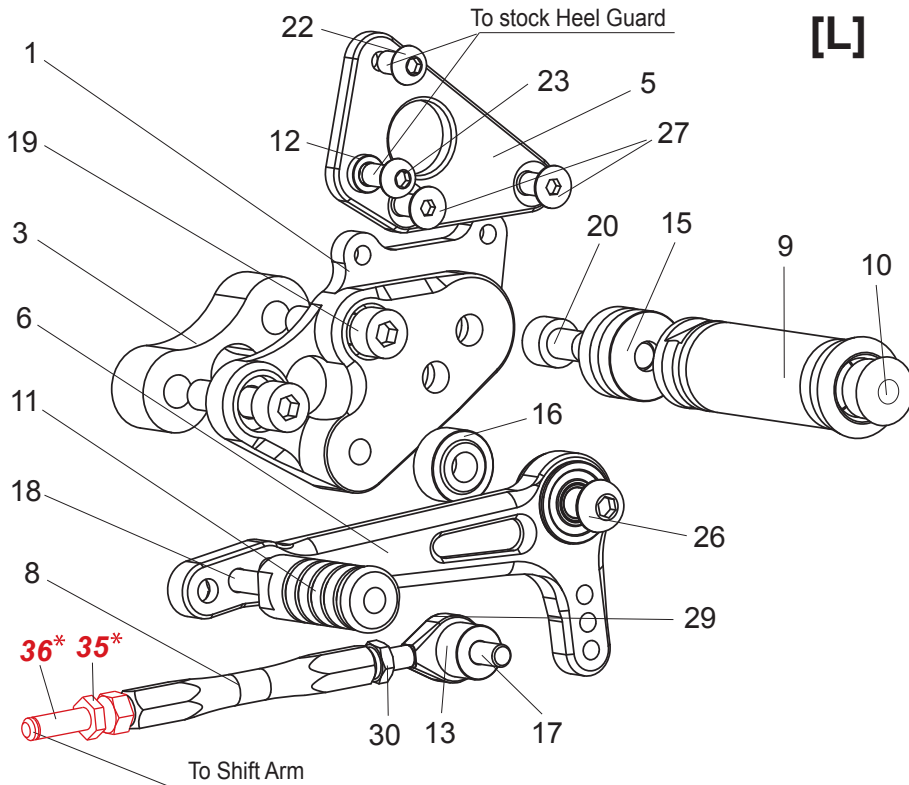


TRIUMPH Speed Twin '19- REAR SETS

part# T-SPTWINRS

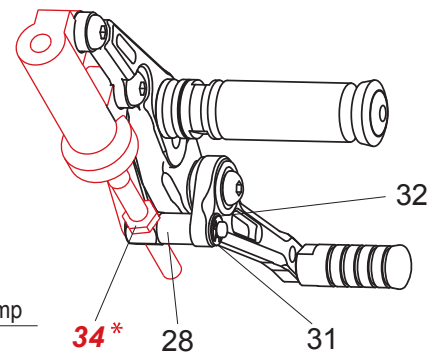
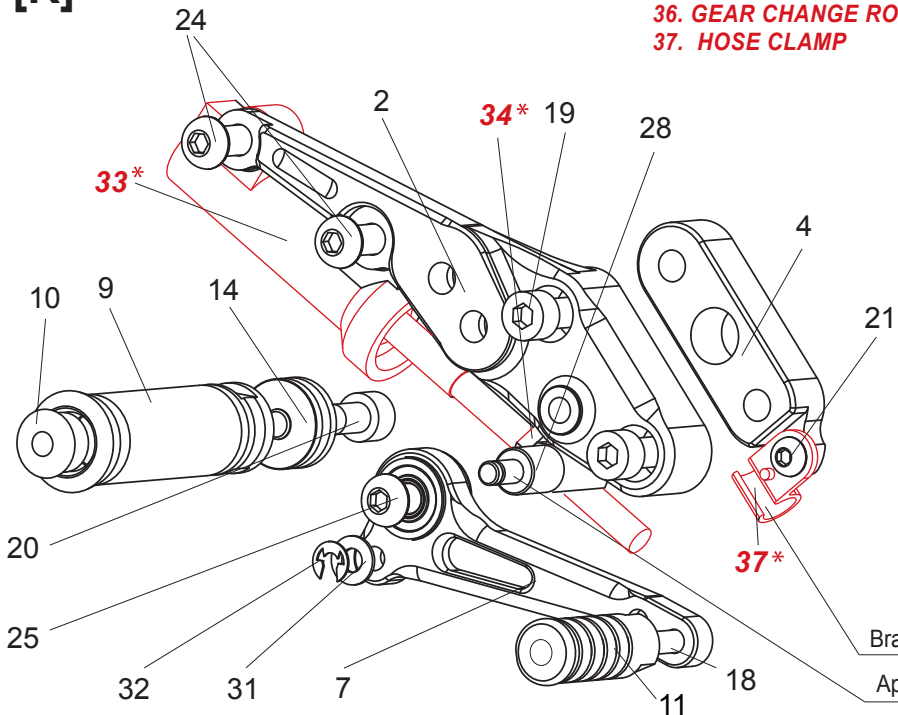


[L]

1. [L] STEP PLATE [T-SPTWINSP-L]
2. [R] STEP PLATE [T-SPTWINSP-R]
3. SPACER (BK) [BPCLR-BS145]
4. [R] BASE PLATE [T-THRUX16BP-R]
5. [L] HEEL GUARD BRACKET [HGB-TL]
6. SHIFT PEDAL [SPD-SCP90]
7. BRAKE PEDAL [BPD-BPS102]
8. SHIFT ROD 80(BK) [SRD-80B]
9. FOOT PEG [PEG] x 2
10. FOOT PEG END CAP [ST-002] x 2
11. PEDAL TIP (DELRIN) [ST-001D18] x 2
12. COLLAR 3-6 (SV) [CLR-3-6]
13. ROD END COLLAR 10 (BK) [RDED-CLR10]
14. PEG COLLAR 10 [PEGCLR-10]
15. PEG COLLAR 15 [PEGCLR-15]
16. BEARING COLLAR 10(BK) [PEGBGCLR-10SB]
17. HEX HEAD M6x30mm [HBT-M618]
18. LOW SOCKET HEAD M6x20mm [LSBT-M620] x 2
19. SOCKET HEAD M8x35mm [SBT-M835] x 4
20. SOCKET HEAD M8x40mm [SBT-M840] x 2
21. BUTTON HEAD M6x8mm [BBT-M68]
22. BUTTON HEAD M6x10mm [BBT-M610]
23. BUTTON HEAD M6x12mm [BBT-M612]
24. BUTTON HEAD M8x20mm [BBT-M820] x 2
25. BUTTON HEAD M8x25mm [BBT-M825]
26. BUTTON HEAD M8x35mm [BBT-M835]
27. FLAT HEAD M6x12mm [FBT-M612] x 2
28. BRAKE ROD [BRD-M40]
29. MALE REVERSE ROD END M6 [RDED-M6L]
30. REVERSE JAM NUT M6 [JNT-6L]
31. WASHER M6 [WS-6]
32. E-CLIP M6 [ECP-6]

*** TRIUMPH PARTS:**
 33. MASTER CYLINDER
 34. NUT
 35. NUT
 36. GEAR CHANGE ROD
 37. HOSE CLAMP

[R]



Brake hose clamp
 Apply Grease