

TRIUMPH THRUXTON R/RS/TFC REAR SETS

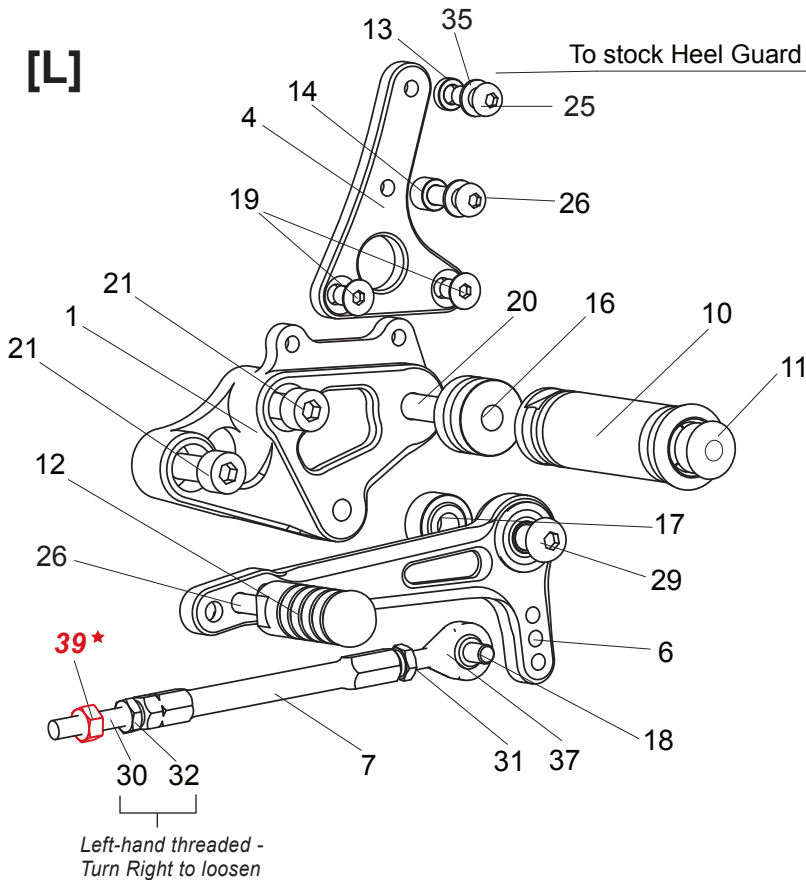
part# T-THRUXTRS

1. [L] STEP PLATE [T-THRUX16SP-L]
2. [R] STEP PLATE [T-THRUX16SP-R]
3. [R] BASE PLATE [T-THRUX16BP-R]
4. [L] HEEL GUARD BRACKET [HGB-TL2]
5. [R] HEEL GUARD BRACKET [HGB-TR]
6. SHIFT PEDAL [SPD-SCP90]
7. SHIFT ROD 100 (BK) [SRD-100CR-B]
8. BRAKE PEDAL [BPD-BPS102]
9. BRAKE ROD [BRD-MT2]
10. FOOT PEG [PEG] x 2
11. FOOT PEG END CAP [ST-002] x 2
12. PEDAL TIP (DELRIN) [ST-001D18] x 2
13. COLLAR 3-6(SV) [CLR-3-6]
14. COLLAR 7-6(SV) [CLR-7-6]
15. PEG COLLAR 10 [PEGCLR-10]
16. PEG COLLAR 15 [PEGCLR-15]
17. BEARING COLLAR 10(BK) [PEGBGCLR-10SB]
18. HEX HEAD M6x18mm [HBT-M618]
19. FLAT HEAD M6x10mm [FBT-M610] x 2
20. FLAT HEAD M8x40mm [FBT-M840] x 2
21. SOCKET HEAD M8x20mm [SBT-M820] x 2
22. SOCKET HEAD M8x35mm [SBT-M835] x 2
23. BUTTON HEAD M6x8mm [BBT-M68]
24. BUTTON HEAD M6x10mm [BBT-M610] x 2
25. BUTTON HEAD M6x15mm [BBT-M615]
26. BUTTON HEAD M6x20mm [BBT-M620] x 3
27. BUTTON HEAD M8x20mm [BBT-M820]
28. BUTTON HEAD M8x25mm [BBT-M825] x 2
29. BUTTON HEAD M8x35mm [BBT-M835]
30. REVERSE STUD M6x45mm [STUD-M6L]
31. JAM NUT M6 [JNT-6]
32. REVERSE JAM NUT M6 [JNT-6L]
33. NUT M8 [NUT-8]
34. WASHER M6 [WS-6]
35. THIN WASHER M6 [WS-6S] x 2
36. E-CLIP M6 [ECP-6]
37. MALE ROD END M6 [RDED-M6]

★TRIUMPH PARTS:

- 38. BOLT x 2
- 39. NUT
- 40. NUT
- 41. BRAKE SWITCH PLATE
- 42. ADJUSTMENT BRACKET
- 43. M5 PIN
- 44. BOLT

[L]



[R]

