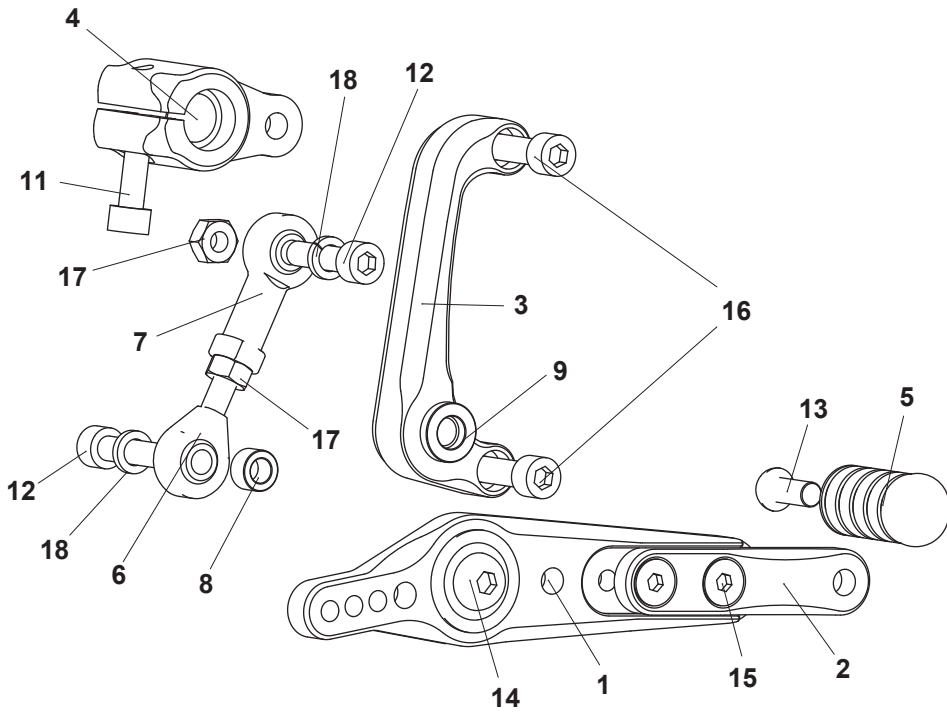


Sato Racing HARLEY-DAVIDSON XR1200 ('09-)

Shift Pedal Assembly (part# HD-XR1209RS-SAK)



NO.	DESCRIPTION	QTY
1	Shift Pedal (#SPD-X1209)	1
2	Shift Pedal Extender Plate	1
3	Shift Base	1
4	Change Arm (#CA-HD)	1
5	Pedal Tip - Short	1
6	Male Rod End M6	1
7	Female Rod End M6	1
8	Rod End Collar 6	1
9	Collar 3	1
11	Socket Head M6×20	1
12	Socket Head M6×25	2
13	Button Head M6×15	1
14	Button Head M8×30	1
15	Flat Head M6×10	2
16	Socket Head (1/4"-20)×1"	2
17	Plain Nut M6	2
18	Split Washer M6	2