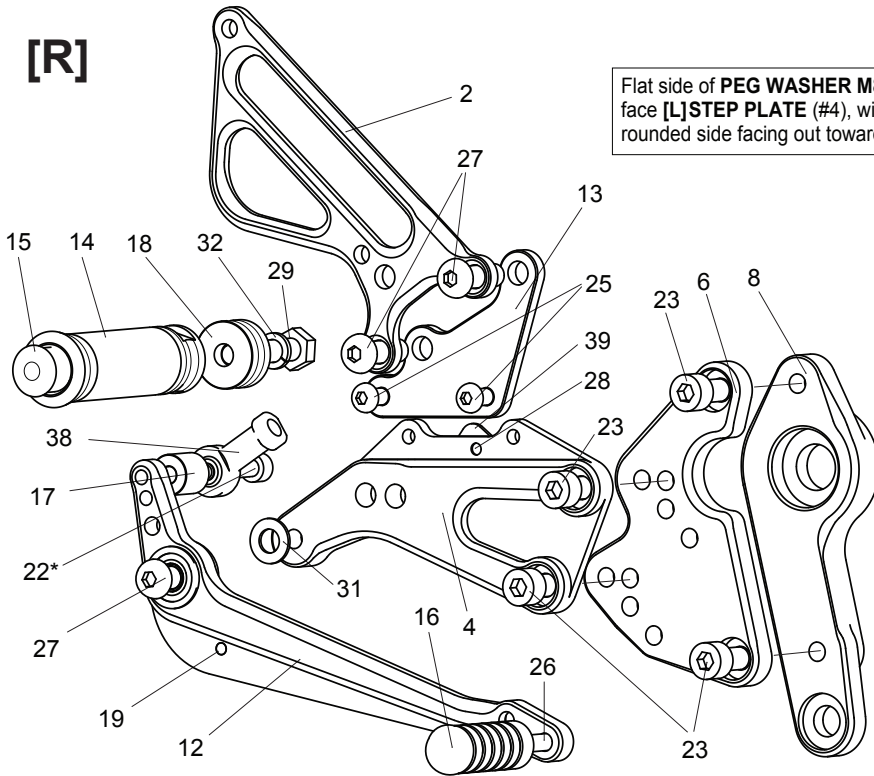


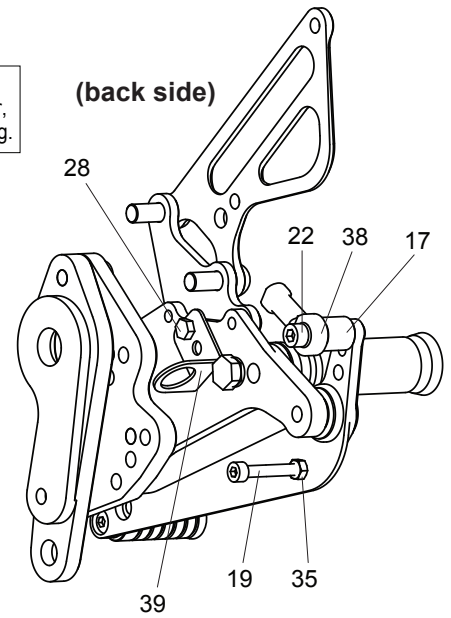
YAMAHA FZ-09 / MT-09 ('14-) / XSR900 ('16-) REAR SETS

part# Y-MT09RS

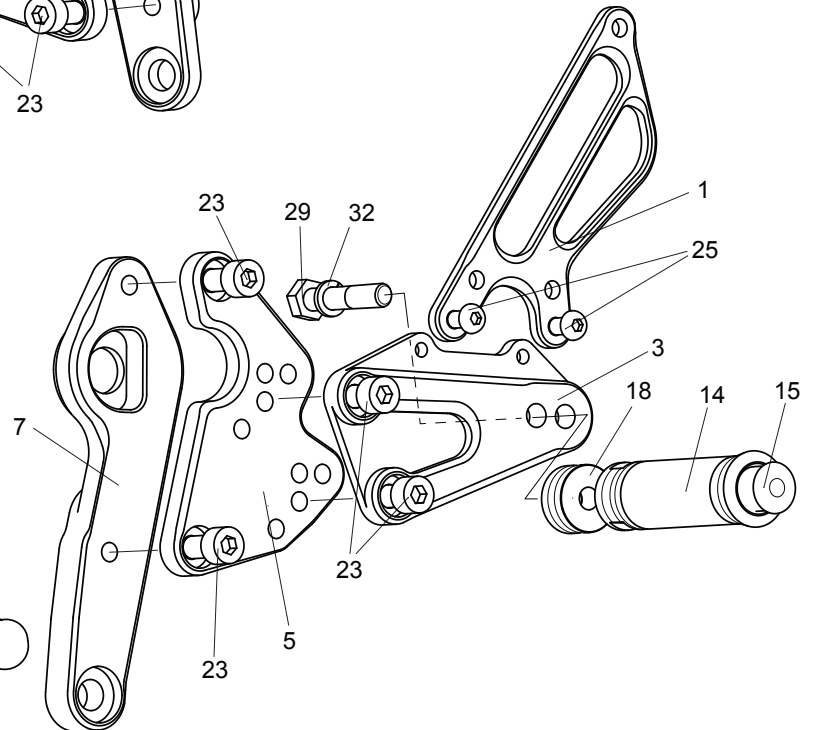
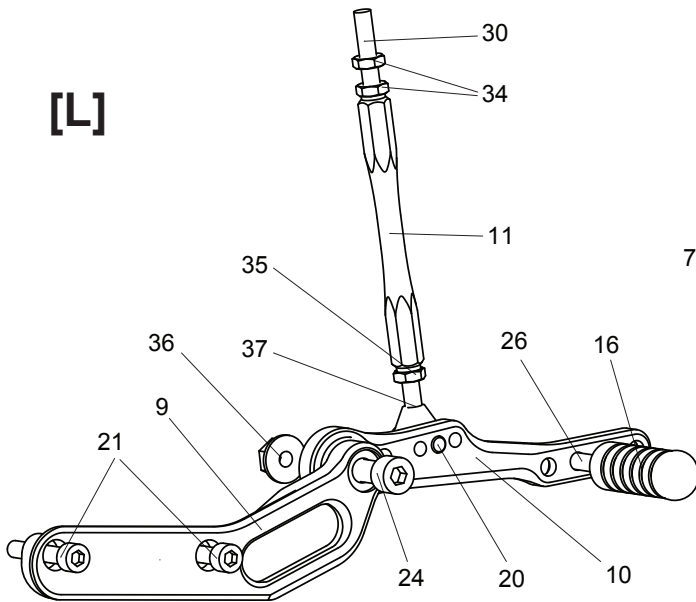
[R]



(back side)



[L]



- | | | |
|--|--|--|
| 1. [L] HEEL GUARD [HG-3L] | 15. FOOT PEG END CAP [ST-002] x 2 | 29. HEX BOLT M8x40mm [HBT-M840] x 2 |
| 2. [R] HEEL GUARD [HG-23R] | 16. PEDAL TIP (DELRIN) [ST-001D / ST-001D18] x 2 | 30. STUD M6 [STUD-M6] |
| 3. [L] STEP PLATE [Y-MT09SP-L] | 17. BRAKE ROD COLLAR 15 (BK) [RDED-CLR15] | 31. PEG WASHER M8 [PWS-8] |
| 4. [R] STEP PLATE [Y-MT09SP-R] | 18. PEG COLLAR 12 [PEGCLR-12] x 2 | 32. SPLIT WASHER M8 [SWS-8] x 2 |
| 5. [L] EXTENSION PLATE (BK) [Y-MT09EP-L] | 19. SOCKET HEAD M5x35mm [SBT-M535] | 33. NUT M5 [NUT-5] |
| 6. [R] EXTENSION PLATE (BK) [Y-MT09EP-R] | 20. SOCKET HEAD M6x18mm [SBT-M618] | 34. JAM NUT M6 [JNT-6] x 2 |
| 7. [L] BASE PLATE (BK) [Y-MT09BP-L] | 21. SOCKET HEAD M6x35mm [SBT-M635] x 2 | 35. REVERSE JAM NUT M6 [JNT-6L] |
| 8. [R] BASE PLATE (BK) [Y-MT09BP-R] | 22. SOCKET HEAD M6x30mm [SBT-M630] | 36. FLANGE NUT M8 [FNT-8] |
| 9. SHIFT BASE (BK) [SB-YMT09] | 23. SOCKET HEAD M8x15mm [SBT-M815] x 8 | 37. MALE REVERSE ROD END M6 [RDED-M6L] |
| 10. SHIFT PEDAL (BK) [SPD-CP016] | 24. SOCKET HEAD M8x35mm [SBT-M835] | 38. FEMALE ROD END 6-M8 [RDED-F6-8] |
| 11. SHIFT ROD 100 (BK) [SRD-100B] | 25. BUTTON HEAD M6x10mm [BBT-M610] x 4 | 39. PULL SWITCH STAY 16 [PSTAY-16] |
| 12. BRAKE PEDAL [BPD-RS4125] | 26. BUTTON HEAD M6x20mm [BBT-M620] x 2 | 40. BRAKE RETURN SPRING 40 [RS-RSP] |
| 13. MASTER STAY [Y-MT09MS] | 27. BUTTON HEAD M8x25mm [BBT-M825] x 3 | (Not Pictured) |
| 14. FOOT PEG [PEG] x 2 | 28. HEX BOLT M5x6mm [HBT-M56] | |