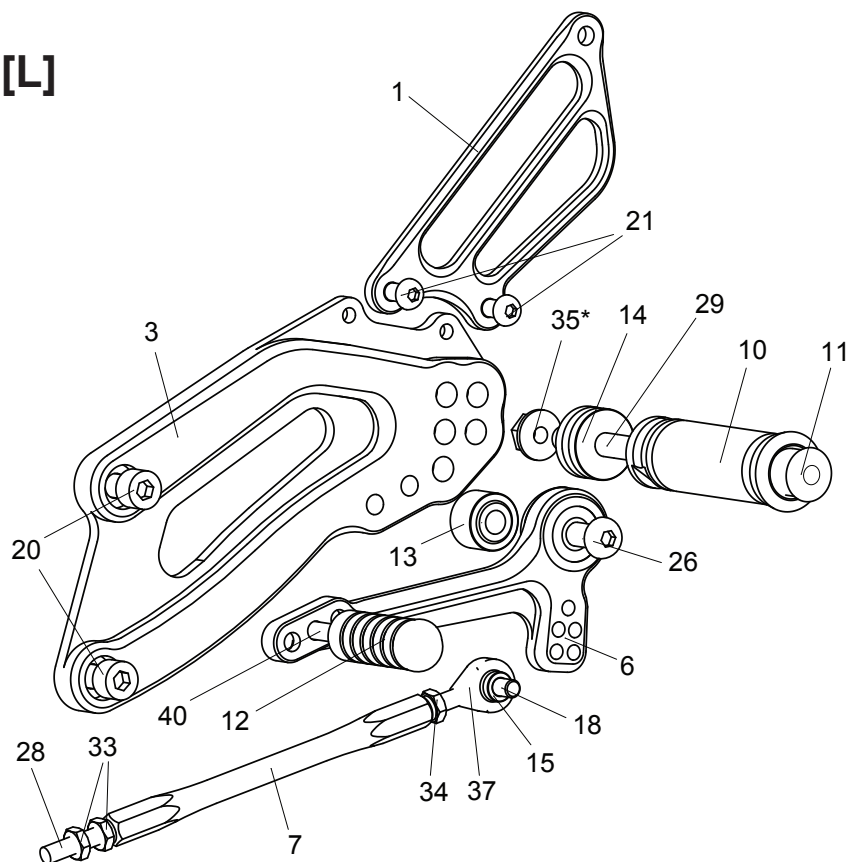


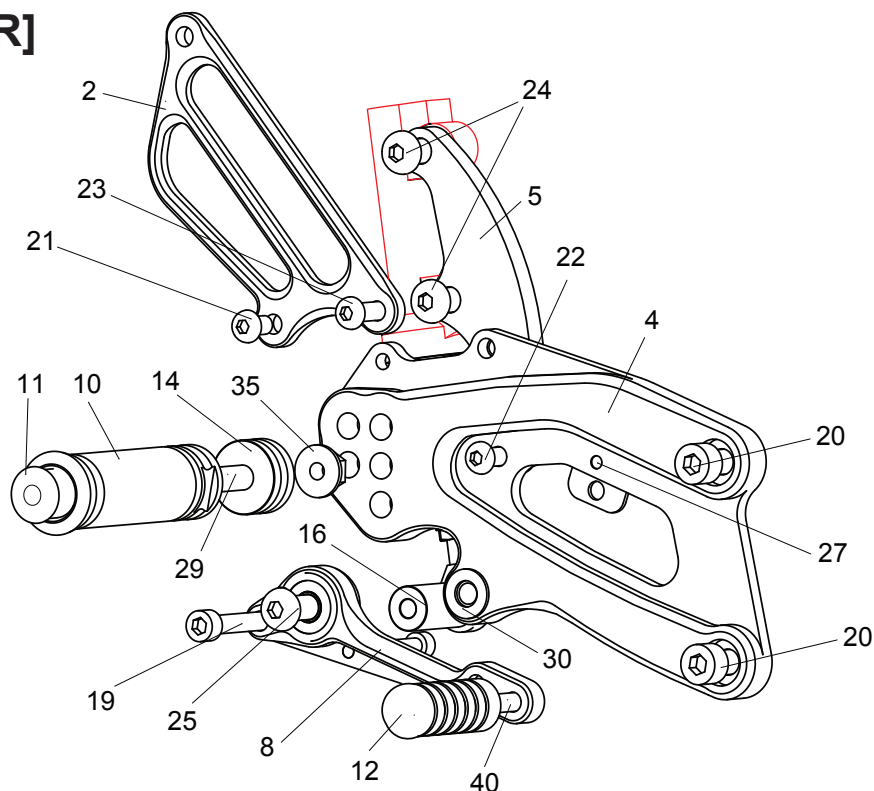


YAMAHA YZF-R3 (YZF-R25 / MT-03 / MT-25) ('15-) REAR SETS

part# Y-R3RS

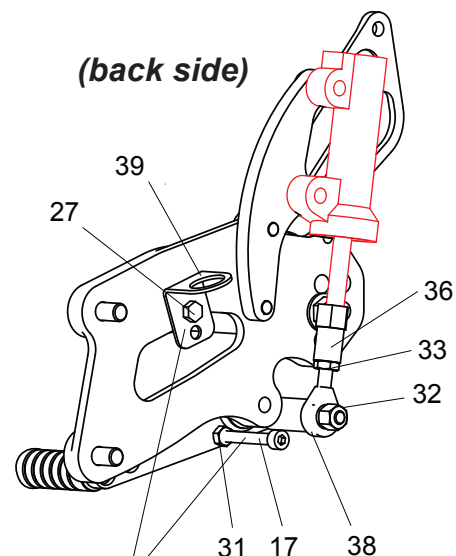
[L]

1. (L) HEEL GUARD [HG-2L]
2. (R) HEEL GUARD [HG-2R]
3. (L) STEP PLATE [Y-R3SP-L]
4. (R) STEP PLATE [Y-R3SP-R]
5. MASTER STAY (BK) [Y-R3MS]
6. SHIFT PEDAL [SPD-0912]
7. SHIFT ROD 135 (BK) [SRD-135B]
8. BRAKE PEDAL [BPD-15]
10. FOOT PEG [PEG] x 2
11. FOOT PEG END CAP [ST-002] x 2
12. PEDAL TIP (DELRIN) [ST-001D18] x 2
13. BEARING COLLAR 13(BK) [PEGBGCLR-13]
14. PEG COLLAR 15 [PEGCLR-15] x 2
15. ROD END COLLAR 3 (GD) [RDED-CLR3]
16. COLLAR 29-6 [RDEDCLR-29]
17. SOCKET HEAD M5x40mm [SBT-M540]
18. HEX HEAD M6x20mm [HBT-M620]
19. SOCKET HEAD M6x55mm [SBT-M655]
20. SOCKET HEAD M8x20mm [SBT-M820] x 4
21. BUTTON HEAD M6x10mm [BBT-M610] x 3
22. BUTTON HEAD M6x15mm [BBT-M615]
23. BUTTON HEAD M6x20mm [BBT-M620]
24. BUTTON HEAD M8x20mm [BBT-M820] x 2
25. BUTTON HEAD M8x25mm [BBT-M825]
26. BUTTON HEAD M8x40mm [BBT-M840]
27. HEX HEAD M5x6mm [HBT-M56]
28. STUD M6 [STUD-M6]
29. STUD BOLT M8x50mm [STBT-50] x 2
30. PEG WASHER M8 [PWS-8]
31. NUT M5 [NUT-5]
32. LOCK NUT M6 [LNT-6]
33. JAM NUT M6 [JNT-6] x 3
34. REVERSE JAM NUT M6 [JNT-6L]
35. FLANGE NUT M8 [FNT-8] x 2
36. ROD ADAPTER M6-8 [BRD-ADPTRM6-8]
37. MALE REVERSE ROD END M6 [RDED-M6L]
38. MALE ROD END M6 [RDED-M6]
39. PULL SWITCH STAY 16 [PSTAY-16]
40. LOW SOCKET HEAD M6x20mm [LSBT-M620] x 2

[R]

For ABS model (not pictured) -

- SOCKET HEAD M6x30mm [SBT-M630]
- COLLAR 10-6 (SV) [CLR-10-6]
- WASHER M6L [WS-6L]

(back side)

Attach Pull Switch / Spring