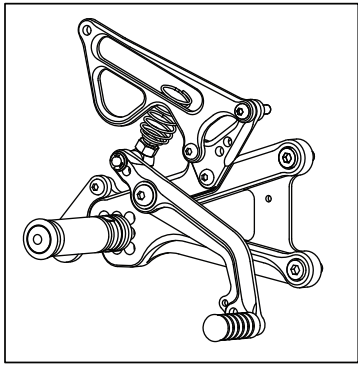
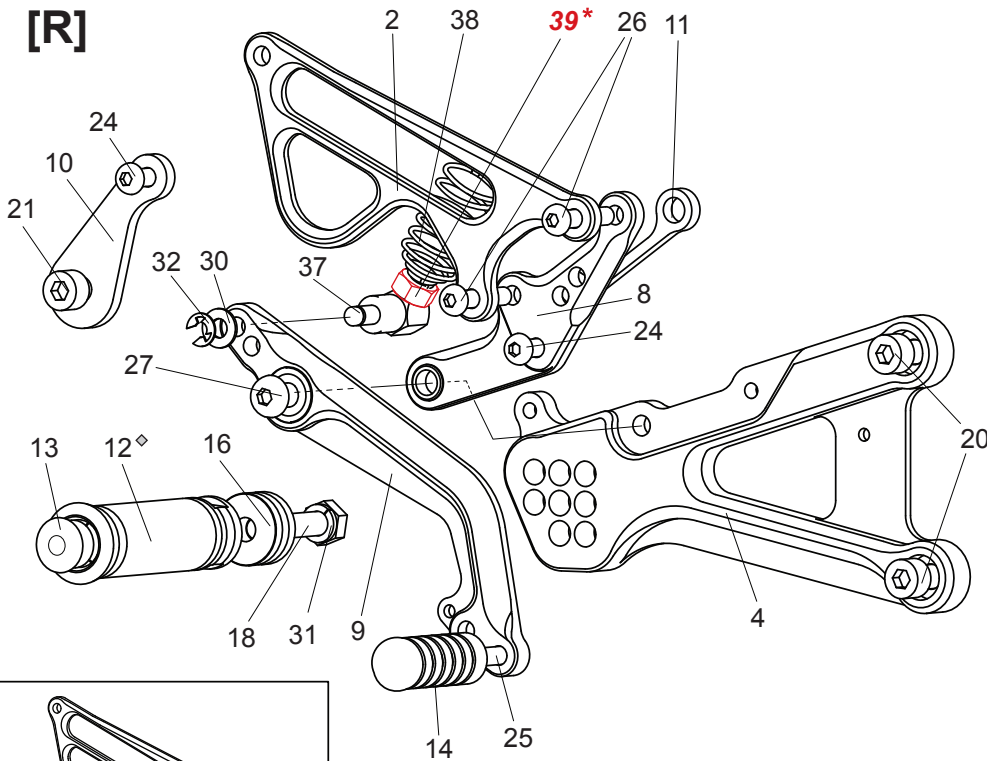


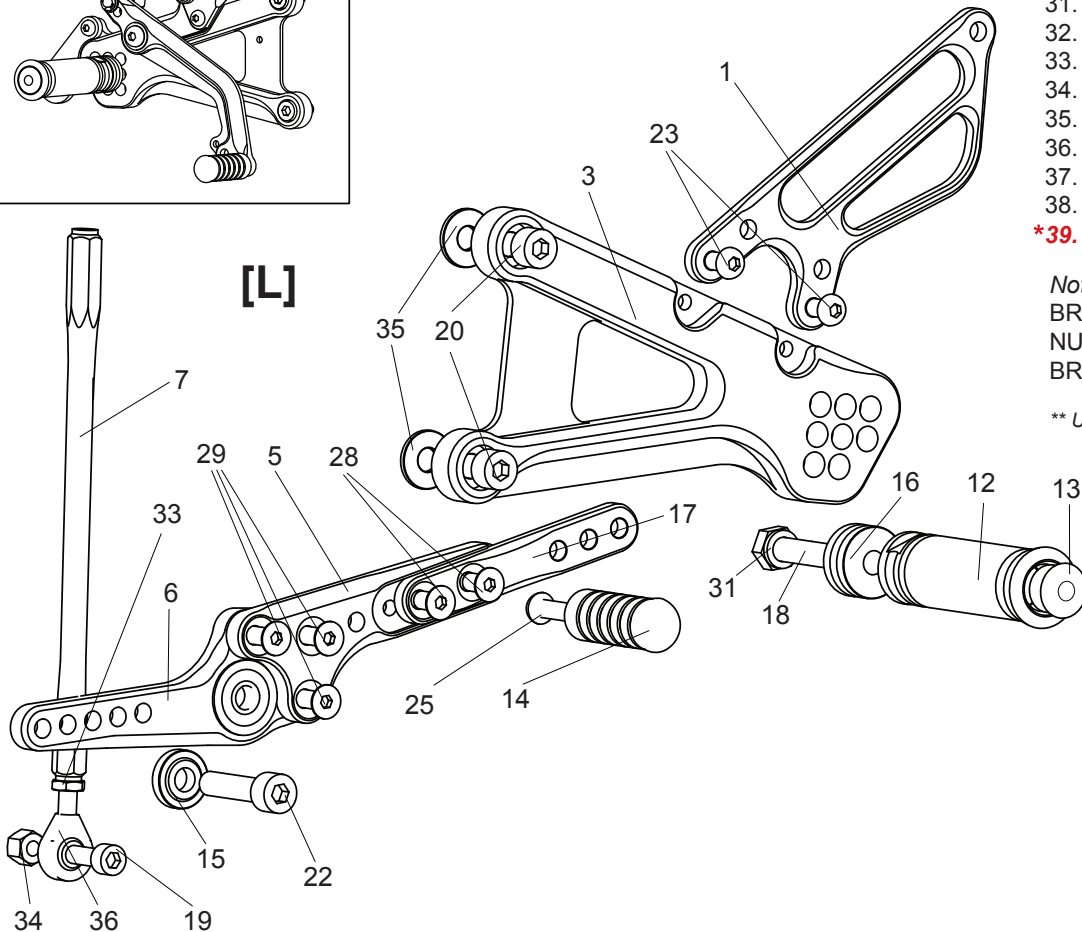
YAMAHA YZF-R6 '06-'16 REAR SETS (ver.2 design update)

part# Y-R606RS2

[R]



[L]



1. (L) HEEL GUARD [HG-3L]
2. (R) HEEL GUARD [HG-12R]
3. (L) STEP PLATE
4. (R) STEP PLATE
5. SHIFT BASE 2 (BK) [SB-Y2]
6. SHIFT BASE 1 (BK) [SB-Y1]
7. SHIFT ROD 210 (BK) [SRD-210B]
8. MASTER STAY [Y-R606MS]
9. BRAKE PEDAL [BPD-8]
10. CANISTER STAY (BK) [CANSY-1]
11. STAY (BK) [STAY-8L49T5]
12. FOOT PEG [PEG] × 2
13. FOOT PEG END CAP [ST-002] × 2
14. PEDAL TIP (DELRIN) [ST-001D18] × 2
15. BEARING COLLAR 5 (BK) [PEGBGCLR-5SB]
16. FOOT PEG COLLAR 12 [PEGCLR-12] × 2
17. SHIFT PEDAL SPD8 (BK) [SPD-8]
18. HEX HEAD M8×40mm [HBT-M840] × 2
19. SOCKET HEAD M6×25mm [SBT-M625]
20. SOCKET HEAD M8×20mm [SBT-M820] × 4
21. SOCKET HEAD C M8×20mm [SBT-M820C]
22. SOCKET HEAD M8×35mm [SBT-M835]
23. BUTTON HEAD M6×10mm [BBT-M610] × 2
24. BUTTON HEAD M6×12mm [BBT-M612] × 2
25. BUTTON HEAD M6×20mm [BBT-M620] × 2
26. BUTTON HEAD M6×30mm [BBT-M630] × 2
27. BUTTON HEAD M8×25mm [BBT-M830]
28. FLAT HEAD M6×12mm [FBT-M612] × 2
29. FLAT HEAD M6×15mm [FBT-M615] × 3
30. WASHER M6 [WS-6]
31. SPLIT WASHER M8 [SWS-8] × 2
32. E-CLIP M6 [ECP-6]
33. REVERSE JAM NUT M6 [JNT-6]
34. LOCK NUT M6 [LNT-6]
35. BASE PLATE COLLAR 2 (BK) [BPCLR-2] × 2
36. REVERSE MALE ROD END M6 [RDED-M6L]
37. BRAKE ROD S [BRD-S35]
38. RETURN SPRING 40 [RS-RSP]
- *39. NUT M8 (YAMAHA part)**

Not Pictured:

- BRAKE LIGHT SWITCH P-1.25 [BSW-125]
- NUT M5 [NUT-5]**
- BRACKET (SV) [UM61050SV]**

** Use for relocating brake reservoir to seat rail