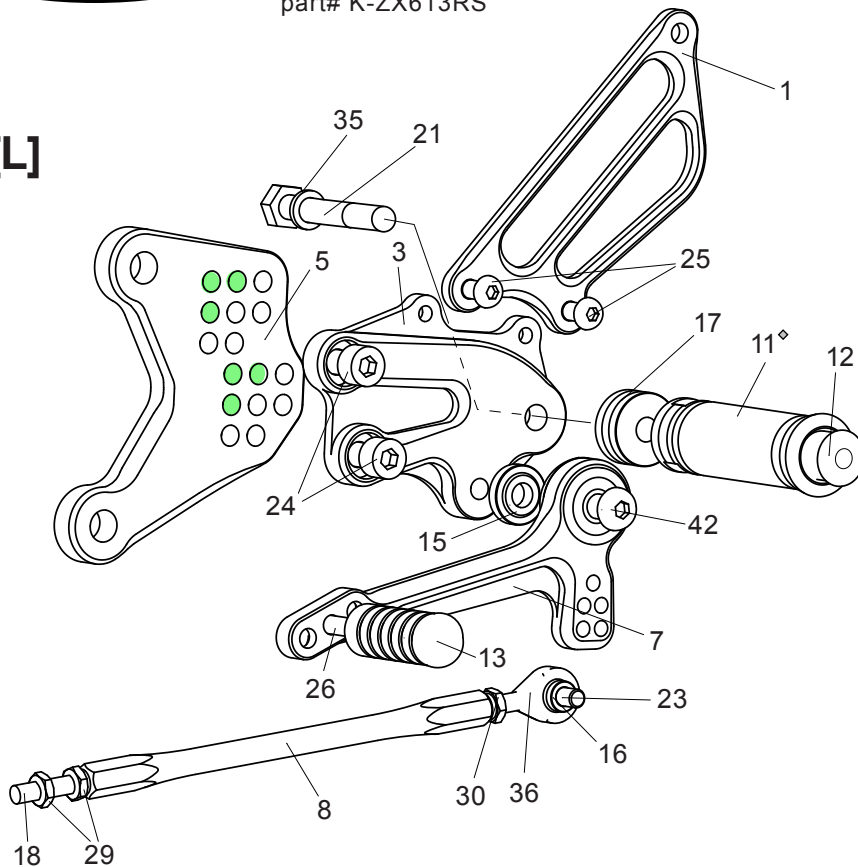


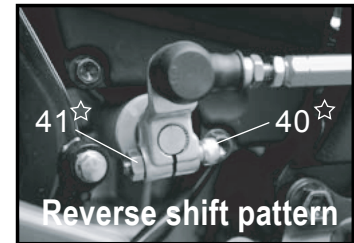
[L]



[L] SIDE

1. (L) HEEL GUARD [HG-2L]
3. (L) STEP PLATE [K-ZX613SP-L]
5. (L) BASE PLATE [K-ZX613BP-L]
7. SHIFT PEDAL [SPD-0912]
8. SHIFT ROD 160 [SRD-160]
11. FOOT PEG [PEG]
12. FOOT PEG END CAP [ST-002]
13. PEDAL TIP (DELRIN) [ST-001D18]
15. BEARING COLLAR 5 (BK) [PEGBGCLR-5SB]
16. ROD END COLLAR 3 (GD) [RDED-CLR3]
17. PEG COLLAR 12 [PEGCLR-12]
18. REVERSE STUD M6 [STUD-M6L]
21. HEX HEAD M8×40mm [HBT-M840]
23. SOCKET HEAD M6×20mm [SBT-M620]
24. SOCKET HEAD M8×15mm [SBT-M815] x 2
25. BUTTON HEAD M6×10mm [BBT-M610] x 2
26. BUTTON HEAD M6×20mm [BBT-M620]
29. REVERSE JAM NUT M6 [JNT-6L] x 2
30. JAM NUT M6 [JNT-6]
35. SPLIT WASHER M8 [SWS-8]
36. MALE ROD END M6 [RDED-M6]
- ☆40. SOCKET HEAD M6×30mm [SBT-M630]
- ☆41. NUT M6 [NUT-6]
42. BUTTON HEAD M8×30mm [BBT-M830]

☆ Parts used for reverse shift pattern only

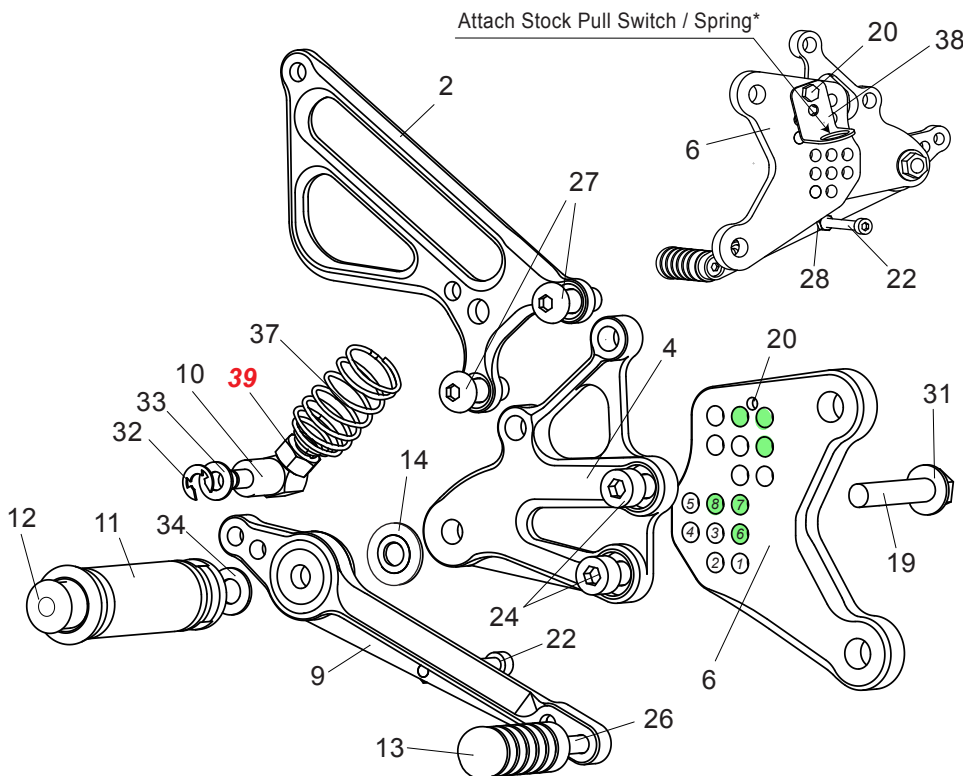


Reverse shift pattern

[R]

* Positions 1-5 are compatible with the stock brake light pull switch.
● Positions 6-8 requires Brake Light Switch part# BSW-125 (sold separately)

(Back Side)



[R] SIDE

2. (R) HEEL GUARD [HG-23R]
4. (R) STEP PLATE [K-ZX613SP-R]
6. (R) BASE PLATE [K-ZX613BP-R]
9. BRAKE PEDAL [BPD-19]
10. BRAKE ROD [BRD-M40]
11. FOOT PEG [PEG]
12. FOOT PEG END CAP [ST-002]
13. PEDAL TIP (DELRIN) [ST-001D18]
14. BEARING COLLAR SUS [BGCLR-SUS]
19. STUD BOLT M8×50mm [STBT-50]
20. HEX HEAD M5×8mm [HBT-M58]
22. SOCKET HEAD M5×45mm [SBT-M545]
24. SOCKET HEAD M8×15mm [SBT-M815] x 2
26. BUTTON HEAD M6×20mm [BBT-M620]
27. BUTTON HEAD M8×25mm [BBT-M825] x 2
28. NUT M5 [NUT-5]
31. FLANGE NUT M8 [FNT-8]
32. E-CLIP M6 [ECP-6]
33. WASHER M6 [WS-6]
34. PEG WASHER M8 [PWS-8]
37. RETURN SPRING 40 [RS-RSP]
38. PULL SWITCH STAY16 [PSTAY-16]
- 39. NUT (STOCK PART)**