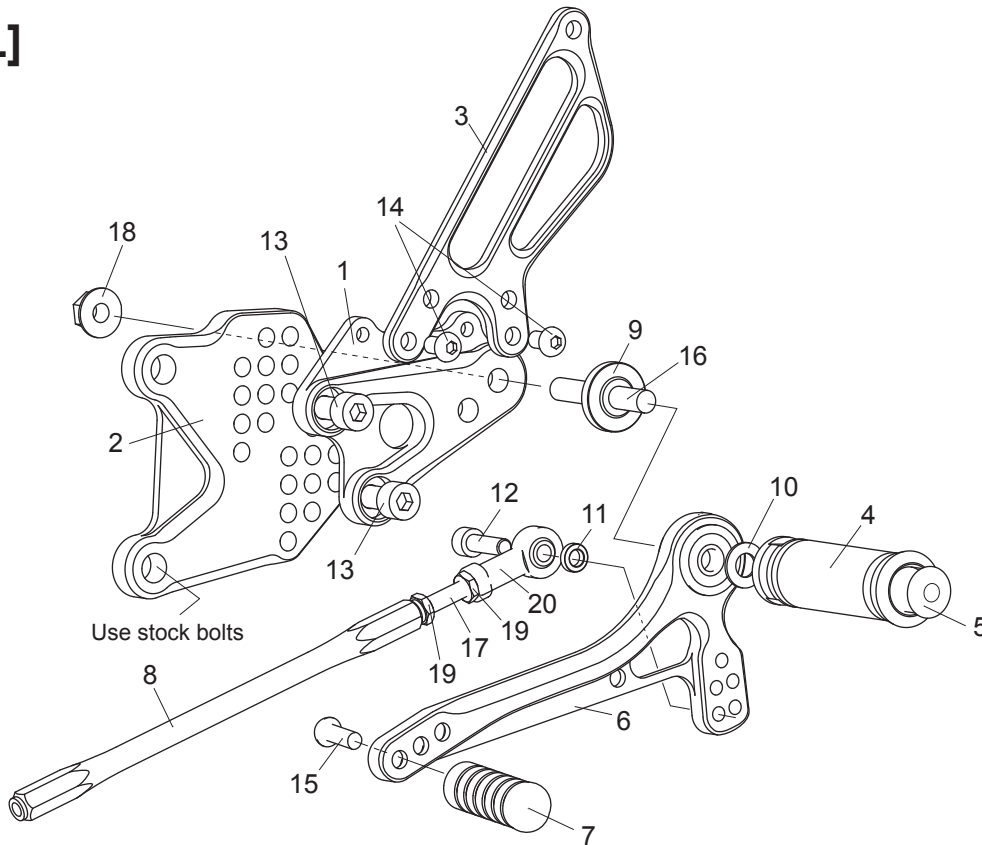


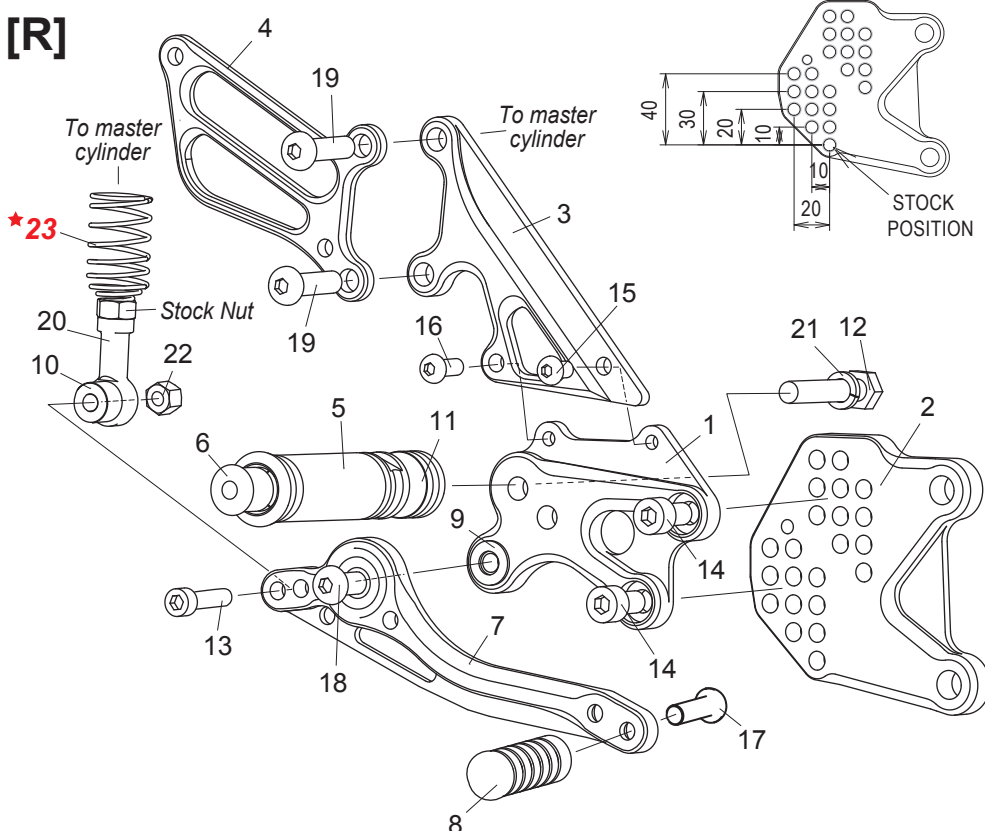
[L]



[L] SIDE

1. [L] STEP PLATE [K-ZX108SP-L]
2. [L] BASE PLATE [K-ZX108BP-L]
3. [L] HEEL GUARD [HG-14L]
4. FOOT PEG [PEG]
5. FOOT PEG END CAP [ST-002]
6. SHIFT PEDAL 70 [SPD-0102]
7. PEDAL TIP (DELRIN) [ST-001D18]
8. SHIFT ROD 180 [SRD-180]
9. PEG BEARING COLLAR 5 [PEGBGCLR-5]
10. PEG WASHER M8 [PWS-8]
11. ROD END COLLAR 3 (GD) [RDEDCLR3]
12. SOCKET HEAD M6×20mm [SBT-M620]
13. SOCKET HEAD M8×15mm [SBT-M815] ×2
14. BUTTON HEAD M6×10mm [BBT-M610] ×2
15. BUTTON HEAD M6×20mm [BBT-M620]
16. STUD BOLT M8×55mm [STBT-S]
17. STUD BOLT M6 [STUD-M6]
18. FLANGE NUT M8 [FNT-8]
19. JAM NUT M6 [JNT-6] ×2
20. FEMALE ROD END M6 [RDED-F6]

[R]



11 ADJUSTABLE POSITIONS

[R] SIDE

1. STEP PLATE [R] [K-ZX108SP-R]
2. BASE PLATE [R] [K-ZX108BP-R]
3. MASTER STAY [K-ZX108MS]
4. [R] HEEL GUARD [HG-9R]
5. FOOT PEG [PEG]
6. FOOT PEG END CAP [ST-002]
7. BRAKE PEDAL [BPD1]
8. PEDAL TIP (DELRIN) [ST-001D18]
9. PEG WASHER M8 [PWS-8]
10. BRAKE ROD COLLAR 10 (BK) [BRD-CLR10]
11. FOOT PEG COLLAR 12 [PEGCLR-12]
12. HEX HEAD M8×40mm [HBT-M840]
13. SOCKET HEAD M6×35mm [SBT-M635]
14. SOCKET HEAD M8×15mm [SBT-M815] ×2
15. BUTTON HEAD M6×10mm [BBT-M610]
16. BUTTON HEAD M6×15mm [BBT-M615]
17. BUTTON HEAD M6×20mm [BBT-M620]
18. BUTTON HEAD M8×25mm [BBT-M825]
19. BUTTON HEAD M8×30mm [BBT-M830] ×2
20. FEMALE ROD END 6-M8 [RDED-M6-8]
21. SPLIT WASHER M8 [SWS-8]
22. LOCK NUT M6 [LNT-6]
- \*23. RETURN SPRING 40 (OPTION) [RS-RSP]

Not Pictured:

BRAKE LIGHT SWITCH P-1.25 [BSW-125]