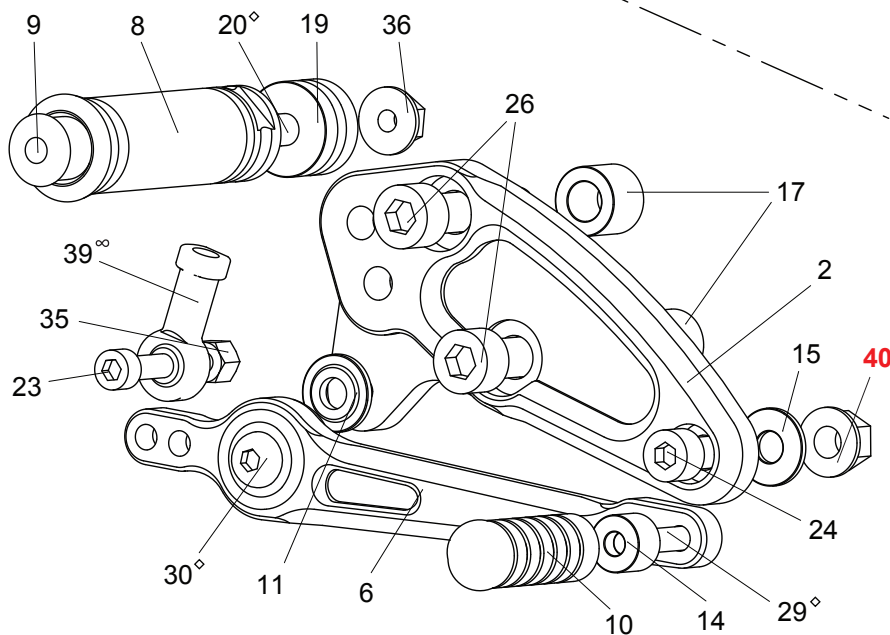
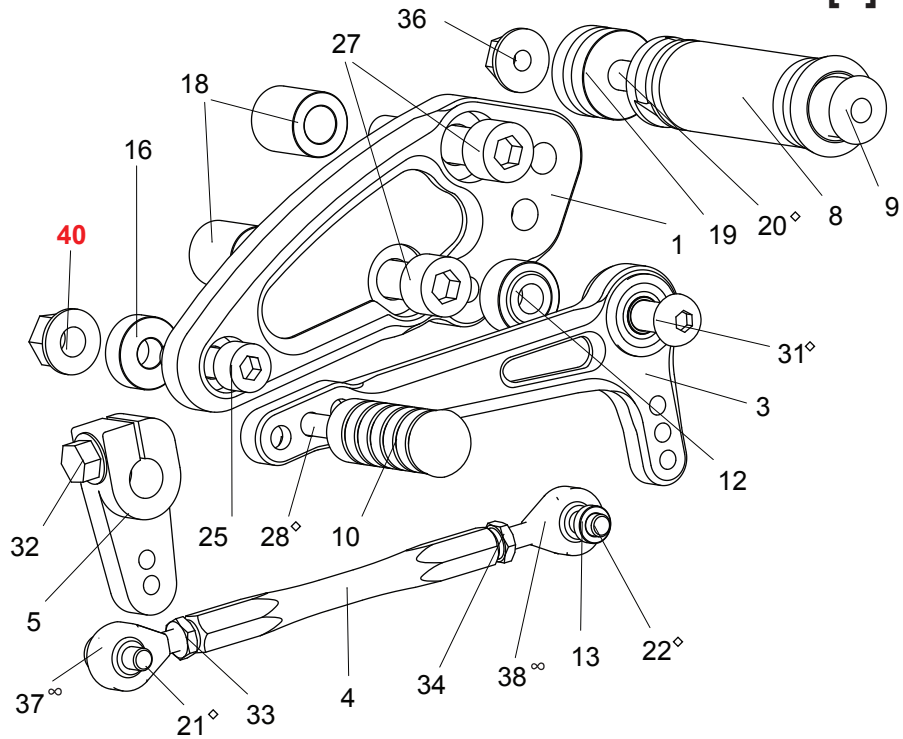
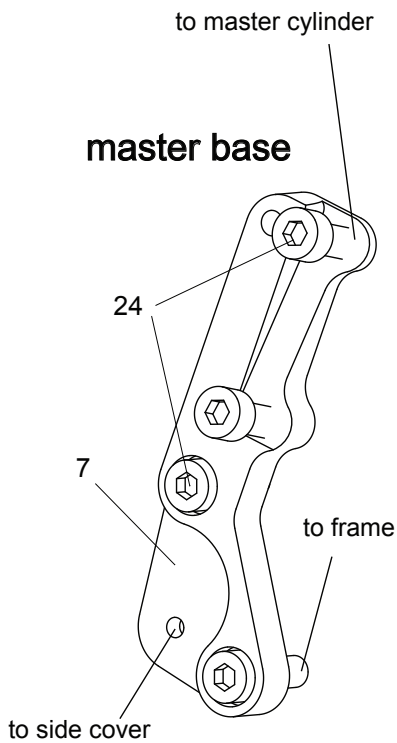


[R]



1. (L) STEP PLATE [T-BONSP-L]
2. (R) STEP PLATE [T-BONSP-R]
3. SHIFT PEDAL [SPD-SCP90]
4. SHIFT ROD 100 [SRD-100]
5. SHIFT ARM (BK) [CA-8]
6. BRAKE PEDAL [BPD-180]
7. MASTER BASE [T-BONMS]
8. FOOT PEG [PEG] x 2
9. FOOT PEG END CAP [ST-002] x 2
10. PEDAL TIP (DELRIN) [ST-001D] x 2
11. PEG BEARING COLLAR 3S(BK) [PEGBGCLR-3SB]
12. PEG BEARING COLLAR 10S(BK) [PEGBGCLR-10SB]
13. ROD END COLLAR 3(GD) [RDED-CLR3]
14. COLLAR 10-6(BK) [HGCLR-10]
15. BASE PLATE COLLAR 2(BK) [BPCLR-2]
16. BASE PLATE COLLAR 7(BK) [BPCLR-7]
17. COLLAR 14-17.5(BK) [CLR-14-17.5BON] x 2
18. COLLAR 20-17.5(BK) [CLR-20-17.5BON] x 2
19. FOOT PEG COLLAR 15 [PEGCLR-15] x 2
20. STUD BOLT M8-50mm [STBT-50] x 2
21. SOCKET HEAD M6-16mm [SBT-M616]
22. SOCKET HEAD M6-20mm [SBT-M620]
23. SOCKET HEAD M6-25mm [SBT-M625]
24. SOCKET HEAD M8-25mm [SBT-M825] x 5
25. SOCKET HEAD M8-30mm [SBT-M830]
26. SOCKET HEAD M10-45mm(P-1.25) [SBT-M1045] x 2
27. SOCKET HEAD M10-50mm(P-1.25) [SBT-M1050] x 2
28. BUTTON HEAD M6-20mm [BBT-M620]
29. BUTTON HEAD M6-30mm [BBT-M630]
30. BUTTON HEAD M8-25mm [BBT-M825]
31. BUTTON HEAD M8-35mm [BBT-M835]
32. FLANGE HEAD M6-20mm [FGBT-M620]
33. JAM NUT M6 [JNT-6]
34. REVERSE JAM NUT M6 [JNT-6L]
35. LOCK NUT M6 [LNT-6]
36. FLANGE NUT M8 [FNT-8] x 2
37. MALE ROD END M6 [RDED-M6]
38. MALE REVERSE ROD END M6 [RDED-M6L]
39. FEMALE ROD END 6-M8 [RDED-F6-8]
- 40. FLANGE LOCK NUT M8 x2 (TRIUMPH PARTS)**

◇ We recommend applying some threadlocker (such as Loctite or Vibra Tite) to these bolts. This should help prevent the parts from vibrating their way loose during use. (Some pre-attached parts such as the pedals have already been Loctited.)

∞ Lubricate rod ends regularly