

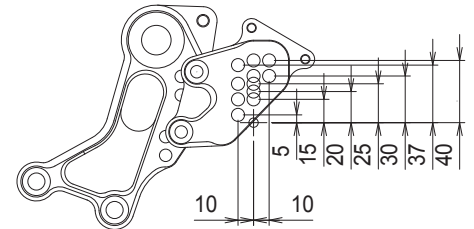
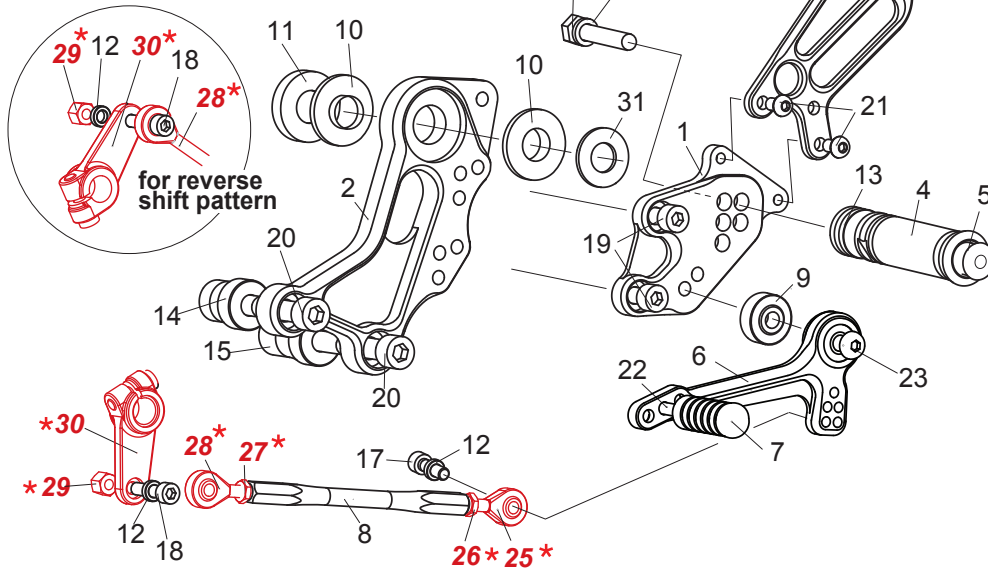
DUCATI MONSTER 1100/S ('09-'10) REAR SETS

part# D-M1100RS

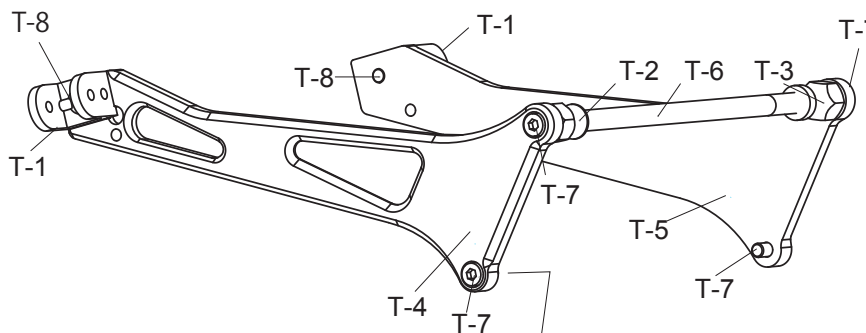
[L] SIDE

1. STEP PLATE [L] [D-M696SP-L]
2. BASE PLATE [L] [D-M696BP-L]
3. HEEL GUARD [L] [HG-6L]
4. FOOT PEG [PEG]
5. FOOT PEG END CAP [ST-002]
6. SHIFT PEDAL SCP75 [SPD-0912]
7. PEDAL TIP (DELTRIN) [ST-001D18]
8. SHIFT ROD 130 [SRD-130]
9. PEG BEARING COLLAR 10 [PEGBGCLR-10]
10. COLLAR 3.5 (BK) [BPCLR-35D] × 2
11. COLLAR 7.5 (BK) [BPCLR-75D]
12. ROD END COLLAR 3 (GD) [RDED-CLR3] × 2
13. FOOT PEG COLLAR 12 [PEG-CLR12]
14. COLLAR 30 (BK) [CLR-30V-10]
15. COLLAR 40 (BK) [CLR-40V-10]
16. HEX HEAD M8×40mm [HBT-M840]
17. SOCKET HEAD M6×20mm [SBT-M620]
18. SOCKET HEAD M6×25mm [SBT-M625]
19. SOCKET HEAD M8×15mm [SBT-M815] × 2
20. SOCKET HEAD M10×65mm (P-1.5) [SBT-M1065-15] × 2
21. BUTTON HEAD M6×10mm [BBT-M610] × 2
22. BUTTON HEAD M6×20mm [BBT-M620]
23. BUTTON HEAD M8×35mm [BBT-M835]
24. SPLIT WASHER M8 [SWS-8]
- * 25. M6 MALE ROD END (STOCK)
- * 26. M6 NUT (STOCK)
- * 27. M6 REVERSE NUT (STOCK)
- * 28. M6 MALE REVERSE ROD END (STOCK)
- * 29. M6 LOCK NUT (STOCK)
- * 30. DUCATI CHANGE ARM (STOCK)
31. WASHER M12 [WS-12]

[L]



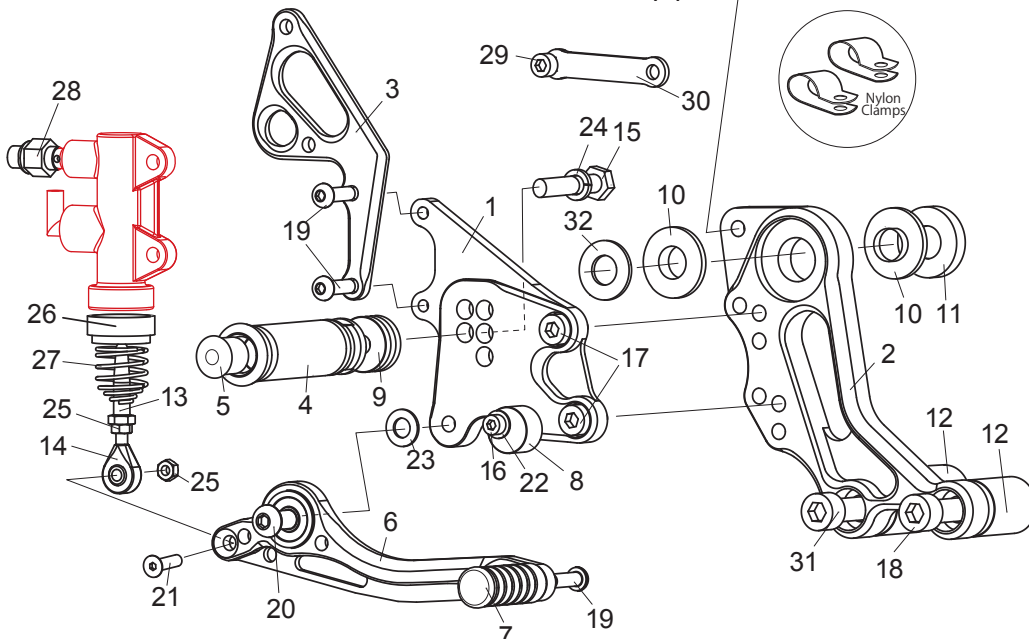
TANDEM BRACKETS (Optional) (part# D-MTB)



TANDEM BRACKETS

- T-1. TANDEM HOLDER × 2
- T-2. HEX21 L30 M12-M8
- T-3. HEX21 L35 M12-M8
- T-4. TANDEM BRACKET [R]
- T-5. TANDEM BRACKET [L]
- T-6. BOLT M12×265mm
- T-7. SOCKET HEAD M8×15mm × 4
- T-8. BUTTON HEAD M8×15mm × 2

[R]



[R] SIDE

1. STEP PLATE [R] [D-M696SP-R]
2. BASE PLATE [R] [D-M696BP-R]
3. HEEL GUARD [R] [HG-21R]
4. FOOT PEG [PEG]
5. FOOT PEG END CAP [ST-002]
6. BRAKE PEDAL 150-2 [BPD-14]
7. PEDAL TIP [ST-001D18]
8. BRAKE PEDAL STOPPER (BK) [BPD-STPR]
9. FOOT PEG COLLAR 12 [PEGCLR-12]
10. COLLAR 3.5 (BK) [BPCLR-35D] × 2
11. COLLAR 7.5 (BK) [BPCLR-75D]
12. COLLAR 33 (BK) [CLR-33-10] × 2
13. PUSH ROD (BK) [PRD]
14. MALE ROD END M5 [RDED-M5]
15. HEX BOLT M8×40mm [HBT-M840]
16. SOCKET HEAD M5×25mm [SBT-M525]
17. SOCKET HEAD M8×15mm [SBT-M815] × 2
18. SOCKET HEAD M10×55mm (P-1.5) [SBT-M1055-15]
19. BUTTON HEAD M6×20mm [BBT-M620] × 3
20. BUTTON HEAD M8×25mm [BBT-M825]
21. FLAT HEAD M5×20mm [FBT-M520]
22. WASHER M5 [WS-5]
23. PEG WASHER M8 [PWS-8]
24. SPLIT WASHER M8 [SWS-8]
25. NUT M5 [NUT-5] × 2
26. RETURN SPRING COLLAR (BK) [RS-RSCLR]
27. RETURN SPRING 20 [RS-RSP2]
28. BRAKE LIGHT SWITCH P-1.0 [BSW-1]
29. SOCKET HEAD M6×10mm [SBT-M610]
30. UNIVERSAL BRACKET [UB-M650-B]
31. SOCKET HEAD M10×65mm (P-1.5) [SBT-M1065-15]
32. WASHER M12 [WS-12]