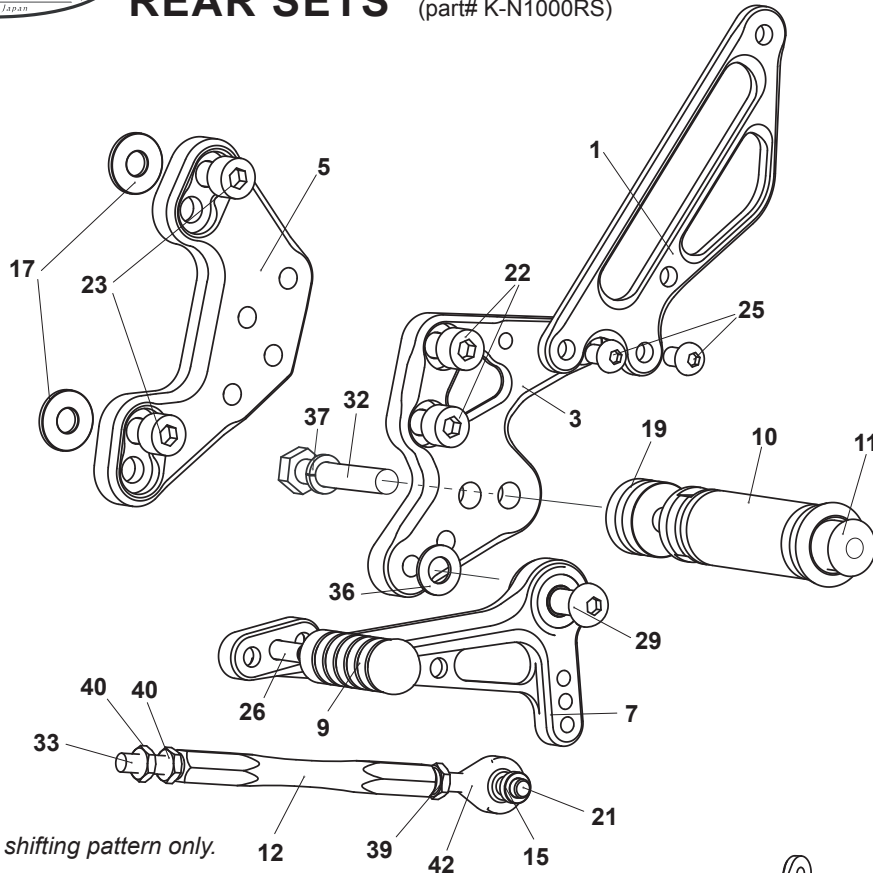


[L]

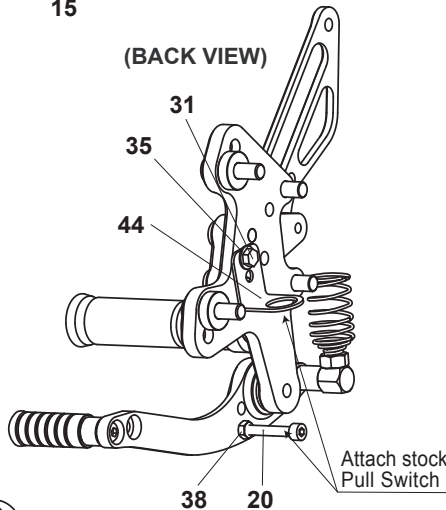


[L] SIDE

1. (L) HEEL GUARD [HG-8L]
3. (L) STEP PLATE [K-N1000SP-L]
5. (L) BASE PLATE [K-N1000BP-L]
7. SHIFT PEDAL SCP90 [SPD-14]
9. PEDAL TIP (DELRIN) [ST-001D18]
10. FOOT PEG [PEG]
11. FOOT PEG END CAP [ST-002]
12. SHIFT ROD 100 [SRD-100]
15. ROD END COLLAR 3(GD) [RDED-CLR3]
17. BASE PLATE COLLAR 2(BK) [BPCLR-2] x 2
19. FOOT PEG COLLAR 15 [PEGCLR-15]
21. SOCKET HEAD M6-20mm
22. SOCKET HEAD M8-15mm x 2
23. SOCKET HEAD M8-20mm x 2
25. BUTTON HEAD M6-10mm x 2
26. BUTTON HEAD M6-20mm
29. BUTTON HEAD M8-25mm
32. HEX HEAD M8-40mm [HBT-M840]
33. REVERSE STUD M6 [STUD-M6L]
36. PEG WASHER M8 [PWS-8]
37. SPLIT WASHER M8 [SWS-8]
39. JAM NUT M6 [JNT-6]
40. REVERSE JAM NUT M6 [JNT-6L] x 2
42. MALE ROD END M6 [RDED-M6]

Stock shifting pattern only.

(BACK VIEW)



[R] SIDE

2. (R) HEEL GUARD [HG-8R]
 4. (R) STEP PLATE [K-N1000SP-R]
 6. (R) BASE PLATE [K-N1000BP-R]
 8. BRAKE PEDAL 180b [BPD-2]
 9. PEDAL TIP (DELRIN) [ST-001D18]
 10. FOOT PEG [PEG]
 11. FOOT PEG END CAP [ST-002]
 13. BRAKE ROD M40 [BRD-M40]
 14. BEARING COLLAR SUS [BGCLR-SUS]
 16. COLLAR 10-6(BK) [HGCLR-10]
 18. BASE PLATE COLLAR 6(BK) [BPCLR-6] x 2
 19. FOOT PEG COLLAR 15 [PEGCLR-15]
 20. SOCKET HEAD M5-35mm
 22. SOCKET HEAD M8-15mm x 2
 24. SOCKET HEAD M8-25mm x 2
 25. BUTTON HEAD M6-10mm x 2
 27. BUTTON HEAD M6-25mm
 28. BUTTON HEAD M8-15mm x 2
 29. BUTTON HEAD M8-25mm
 30. FLAT HEAD M8-40mm [FBT-M840]
 31. HEX HEAD M5-8mm [HBT-M58]
 34. WASHER M6 [WS-6]
 35. WASHER M5 [WS-5]
 38. NUT M5 [NUT-5]
 41. E CLIP [ECP-6]
 43. RETURN SPRING 40 [RS-RSP]
 44. PULL SWITCH STAY 16 [PSTAY-16]
- ★ 45. NUT M8 (STOCK PART)

[R]

(Use stock brake light switch)

