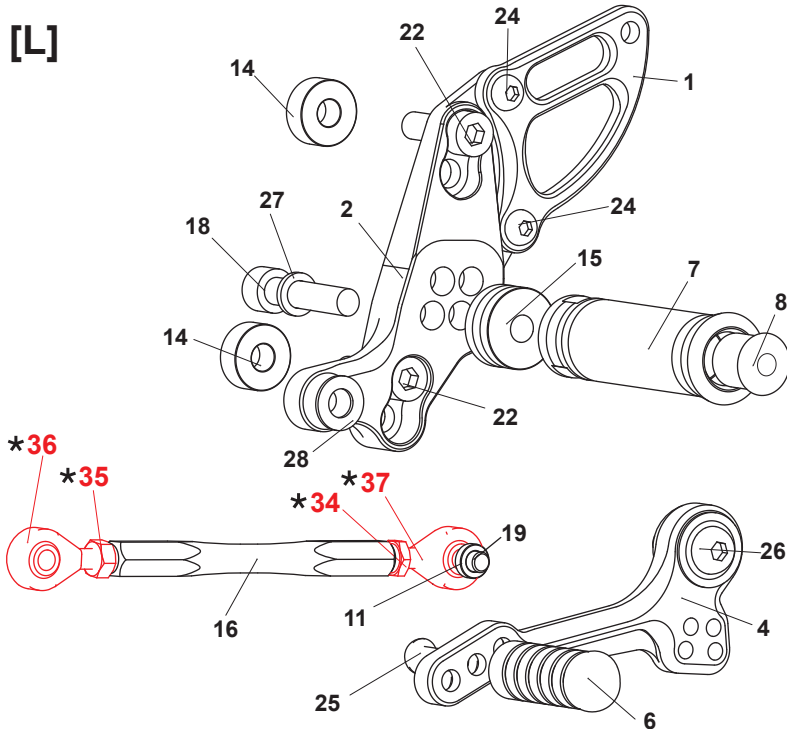


DUCATI STREETFIGHTER REAR SETS

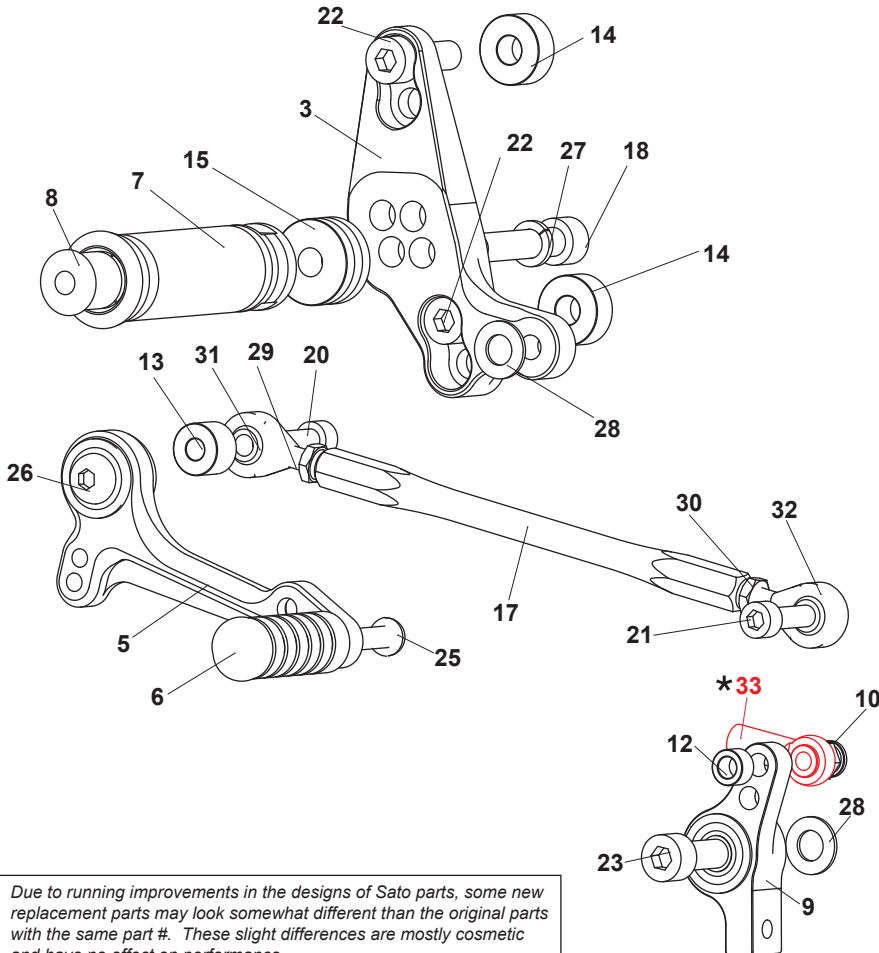
part# D-STRS

1. HEEL GUARD [L] [HG22]
2. STEP PLATE [L]
4. SHIFT PEDAL [SPD10]
6. PEDAL TIP [DELRIN] [ST-001D]
7. FOOT PEG
8. FOOT PEG END CAP
11. ROD END COLLAR 3
14. BASE PLATE COLLAR 8(BK)×2
15. FOOT PEG COLLAR 12
16. SHIFT ROD 100 [SRD-100]
18. SOCKET HEAD M8×40mm
19. SOCKET HEAD M6×20mm
22. SOCKET HEAD M8×25mm ×2
24. BUTTON HEAD M6×10mm ×2
25. BUTTON HEAD M6×20mm
26. BUTTON TIP HEAD M8×25mm
27. SPLIT WASHER M8
28. PEG WASHER M8
- *34. NUT(STOCK)
- *35. NUT(STOCK)
- *36. ROD END(STOCK)
- *37. ROD END(STOCK)

[L]



[R] No brake light switch included in kit. (Uses stock brake light switch)



3. STEP PLATE [R]
5. BRAKE PEDAL [BPD10]
6. PEDAL TIP [DELRIN] [ST-001D]
7. FOOT PEG
8. FOOT PEG END CAP
9. BRAKE LINK
10. SPRING HOOK NUT
12. ROD END COLLAR 6
13. ROD END COLLAR 10
14. BASE PLATE COLLAR 8(BK)×2
15. FOOT PEG COLLAR 12
17. SHIFT ROD 145 [SRD-145]
18. SOCKET HEAD M8×40mm
20. SOCKET HEAD M6×25mm
21. SOCKET HEAD M6×35mm
22. SOCKET HEAD M8×25mm ×2
23. SOCKET HEAD M8×35mm
25. BUTTON HEAD M6×20mm
26. BUTTON HEAD M8×25mm
27. SPLIT WASHER M8
28. PEG WASHER M8 ×2
29. JAM NUT M6
30. REVERSE JAM NUT M6
31. MALE ROD END M6
32. MALE REVERSE ROD END M6
- *33. BRAKE ROD(STOCK)

Due to running improvements in the designs of Sato parts, some new replacement parts may look somewhat different than the original parts with the same part #. These slight differences are mostly cosmetic and have no effect on performance.