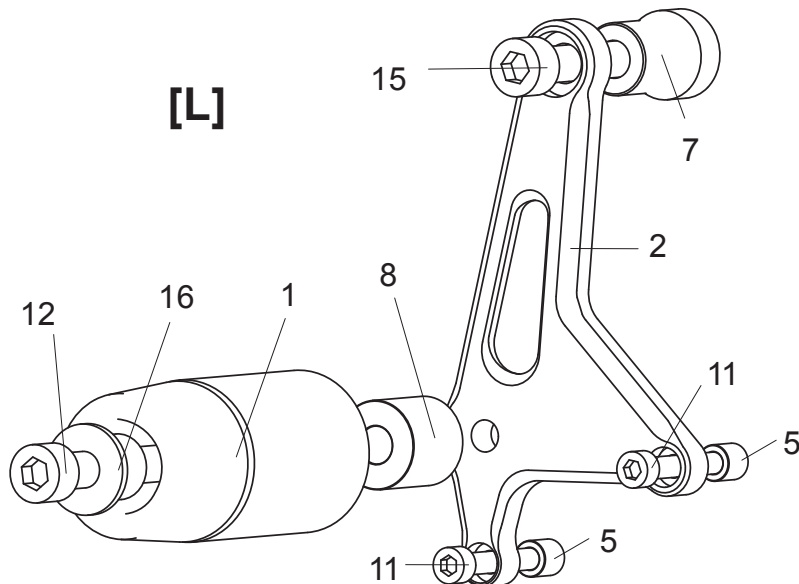
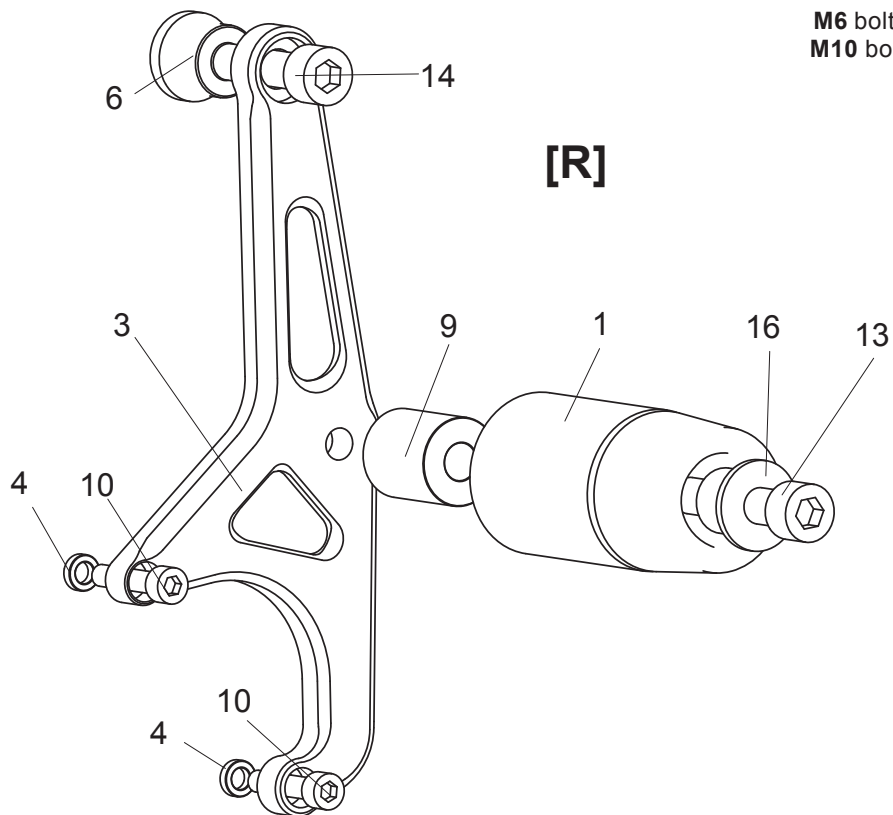


APRILIA TUONO 660 '21- ENGINE SLIDERS

part# A-T660ES



1. SLIDER PUCK [SDR-L100D] x 2
2. [L] SLIDER BASE
3. [R] SLIDER BASE
4. COLLAR 3-6 (SV) x 2
5. COLLAR 10-6 (SV) x 2
6. COLLAR 20-10V (BK)
7. COLLAR 35-10V (BK)
8. COLLAR 25-10 (BK)
9. COLLAR 30-10 (BK)
10. SOCKET HEAD M6×30mm x 2
11. SOCKET HEAD M6×40mm x 2
12. SOCKET HEAD M10×55mm (P-1.25)
13. SOCKET HEAD M10×60mm (P-1.25)
14. SOCKET HEAD M10×40mm (P-1.5)
15. SOCKET HEAD M10×55mm (P-1.5)
16. COLLAR 17.5-10Z x 2
 (Pre-installed in Slider Puck)



Suggested torque specifications:

M6 bolt - 10 Nm / 7-8 lb ft

M10 bolt - 34 Nm / 22-25 lb ft