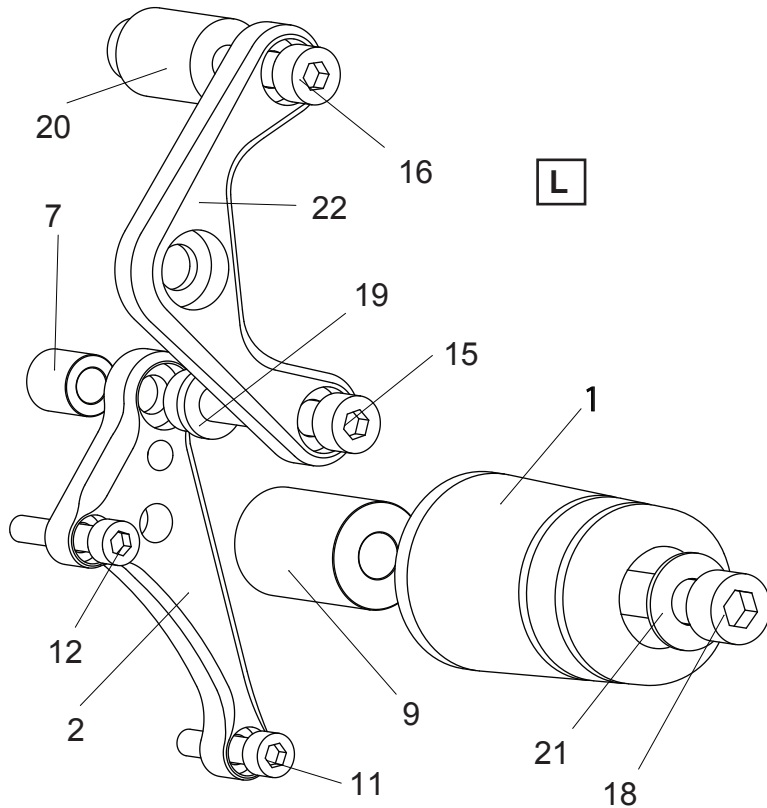


DUCATI 899 PANIGALE ENGINE SLIDERS

w/ SUSPENSION SUPPORT
 part# D-899ES2-BK



1. SLIDER PUCK L10-85 [SDR-L10-85] (x2)
2. SLIDER BASE [L] [SDRB-D1199L]
3. SLIDER BASE [R] [SDRB-D899R]
4. SPACER NUT M5-899 [SNUT-5-899] (x2)
5. COLLAR 28-6 [CLR-28-6]
6. COLLAR 40-6 [CLR-40-6]
7. COLLAR 16-8 [CLR-16-8]
8. COLLAR 25-10(BK) [CLR-25-10]
9. COLLAR 40-10(BK) [CLR-40-10]
10. SOCKET HEAD M5×10 [SBT-M510] (x2)
11. SOCKET HEAD M6×30 [SBT-M630]
12. SOCKET HEAD M6×35 [SBT-M635]
13. SOCKET HEAD M6×60 [SBT-M660]
14. SOCKET HEAD M6×70 [SBT-M670]
15. SOCKET HEAD M8×55 [SBT-M855]
16. SOCKET HEAD M8×60 [SBT-M860]
17. SOCKET HEAD M10×55 (P-1.25) [SBT-M1055]
18. SOCKET HEAD M10×70 (P-1.25) [SBT-M1070]
19. COLLAR 10Z-8(BK) [CLR-10Z-8]
20. COLLAR 38Z-8 [CLR-38Z-8]
21. WASHER M10 [WS-10] (x2)
22. SUSPENSION SUPPORT PLATE [D-1199ES-SSPTE]

