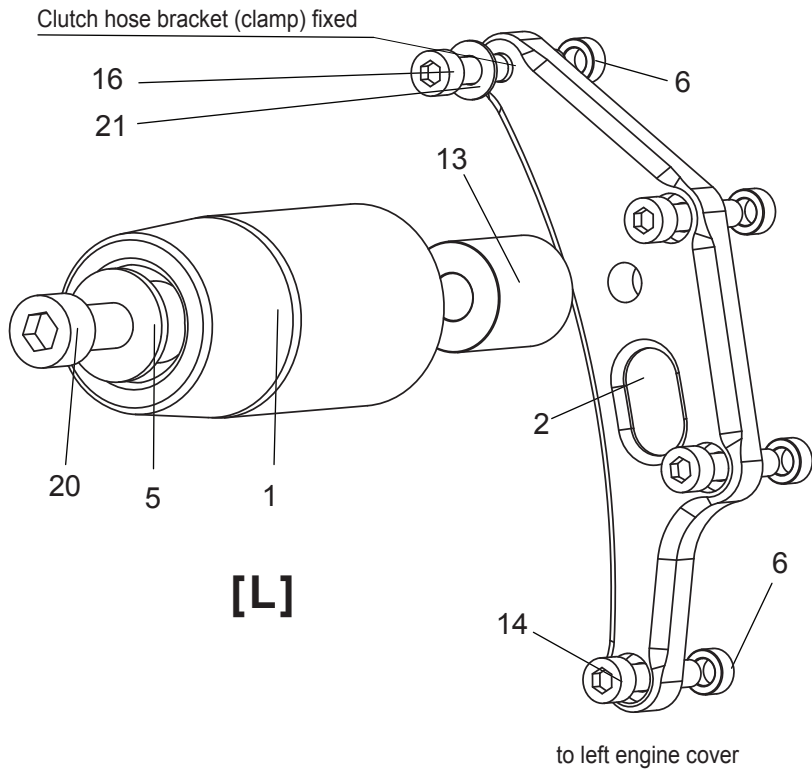


part# D-SFV4ES



1. SLIDER PUCK [SDR-L100D] x 2
2. SLIDER BASE L [SDRB-DSFV4ES-L]
3. SLIDER BASE R OUTER [SDRB-DSFV4ES-R2]
4. SLIDER BASE R INNER [SDRB-DSFV4ES-R1]
5. COLLAR 17.5-10Z [CLR-17.5-10Z] x 2
(pre-installed in Slider Puck)
6. COLLAR 5-6 [CLR-5-6] x 4
7. COLLAR 6-6 [CLR-6-6]
8. COLLAR 8-6 [CLR-8-6]
9. COLLAR 13-6 [CLR-13-6]
10. COLLAR 44-6 [CLR-44-6]
11. COLLAR 52-6 [CLR-52-6]
12. COLLAR 5-10 (BK) [CLR-5-10]
13. COLLAR 30-10 (BK) [CLR-30-10]
14. SOCKET HEAD M6 x 30mm [SBT-M630] x 5
15. SOCKET HEAD M6 x 35mm [SBT-M635]
16. SOCKET HEAD M6 x 45mm [SBT-M645]
17. SOCKET HEAD M6 x 70mm [SBT-M670]
18. SOCKET HEAD M6 x 75mm [SBT-M675]
19. SOCKET HEAD M10 x 45mm (P-1.25) [SBT-M1045]
20. SOCKET HEAD M10 x 60mm (P-1.25) [SBT-M1060]
21. WASHER M6 [WS-6]

