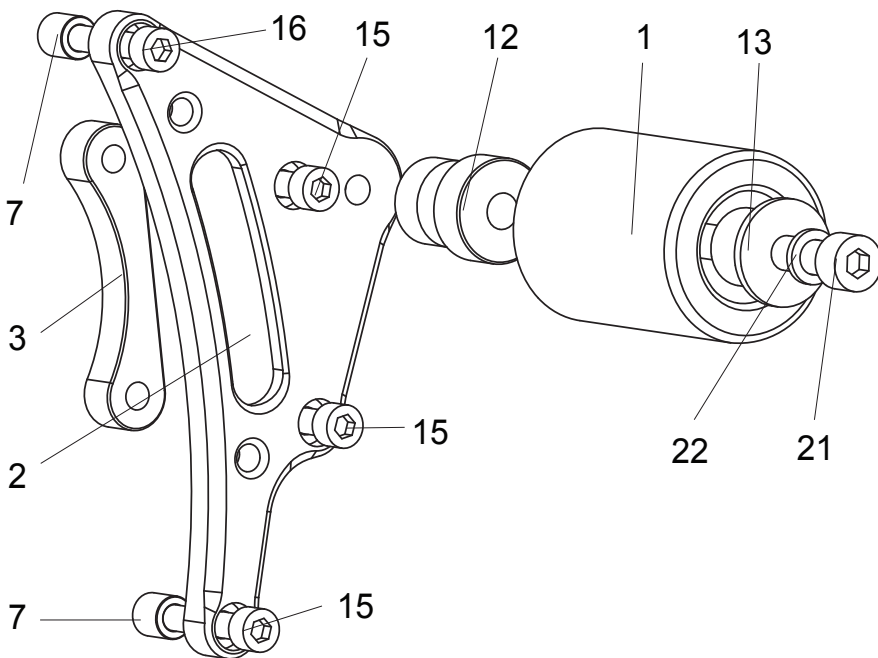


[L] Attached to the generator cover



1. SLIDER PUCK [SDR-L72.5] x 2
2. [L] SLIDER BASE (OUTER)
3. [L] SLIDER BASE (INNER)
4. [R] SLIDER BASE (OUTER)
5. [R] SLIDER BASE (INNER)
7. COLLAR 10-6 [CLR-10-6] x 2
8. COLLAR 36-6 [CLR-36-6]
9. COLLAR 44-6 [CLR-44-6]
10. COLLAR 5-8(BK) [BPCLR-5]
11. COLLAR 15-8(24mm)(BK) [CLR24-15-8]
12. COLLAR 30V-8(BK) [CLR-30-8V]
13. COLLAR 17.5-8Z (Pre-installed in Slider Puck) x 2
14. SOCKET HEAD M6x30mm [SBT-M630] x 2
15. SOCKET HEAD M6x35mm [SBT-M635] x 3
16. SOCKET HEAD M6x40mm [SBT-M640]
17. SOCKET HEAD M6x60mm [SBT-M660]
18. SOCKET HEAD M6x70mm [SBT-M670]
19. SOCKET HEAD M8x20mm [SBT-M820]
20. SOCKET HEAD M8x45mm [SBT-M845]
21. SOCKET HEAD M8x60mm [SBT-M860]
22. SPLIT WASHER M8 [SWS-8] x 2