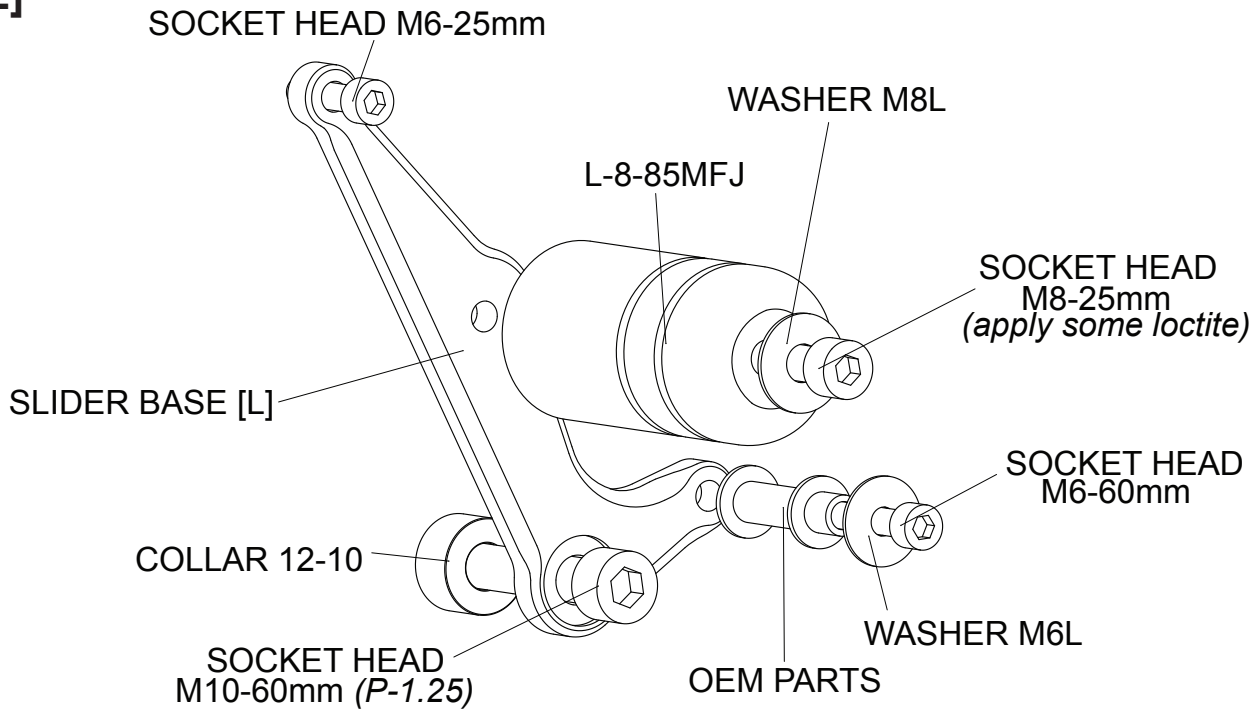


# FRAME SLIDERS SUZUKI GSX-R600/750 ('11-)

[L]



[R]



URETHANE DAMPER  
 (make sure it stays on,  
 where the groove is)

