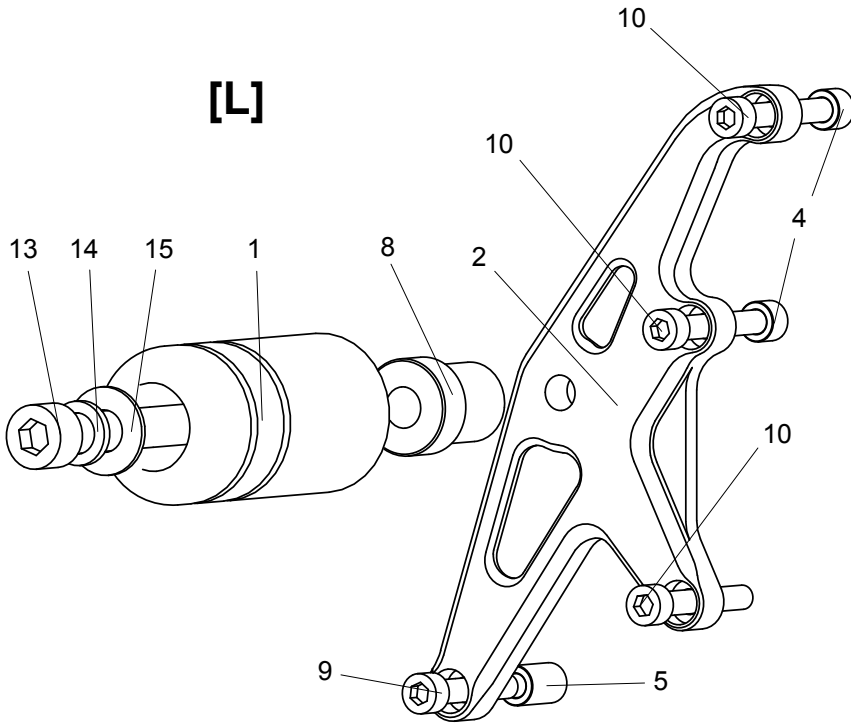


**HONDA GROM ('17-)
 FRAME SLIDERS**

part# H-GROM17FS



1. SLIDER PUCK [SDR-L10-85MFJ] x 2
 2. SLIDER BASE [L] [SDRB-HGROM-L]
 3. SLIDER BASE [R] [SDRB-HGROM-R]
 4. COLLAR 7-6 [CLR-7-6] x 2
 5. COLLAR 16-6 [CLR-16-6]
 6. COLLAR 35-6 [CLR-35-6] x 3
 7. COLLAR 52-6 [CLR-52-6]
 8. COLLAR 32S-10 (BK) [CLR-32S-10] x 2
 9. SOCKET HEAD M6x35mm [SBT-M635]
 10. SOCKET HEAD M6x40mm [SBT-M640] x 3
 11. SOCKET HEAD M6x65mm [SBT-M665]
 12. SOCKET HEAD M6x80mm [SBT-M680] x 3
 13. SOCKET HEAD M10x65mm (P-1.25) [SBT-M1065] x 2
 14. SPLIT WASHER M10 [SWS-10] x 2
 15. WASHER M10 [WS-10] x 2
- Ties 100mm (not pictured) x 4

