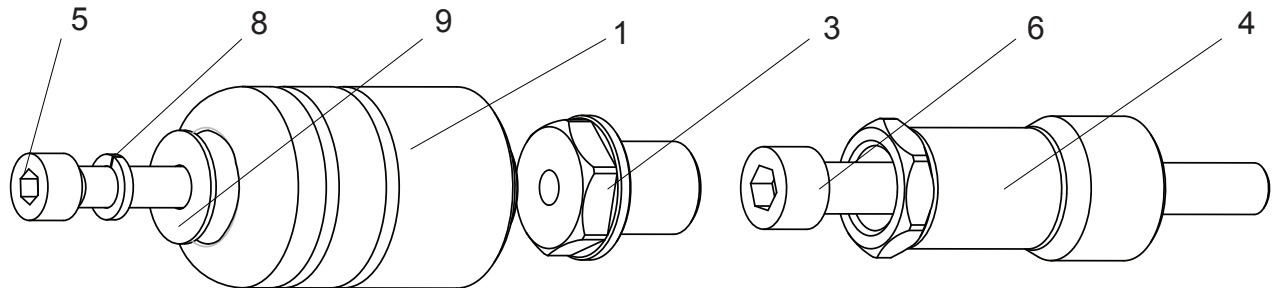
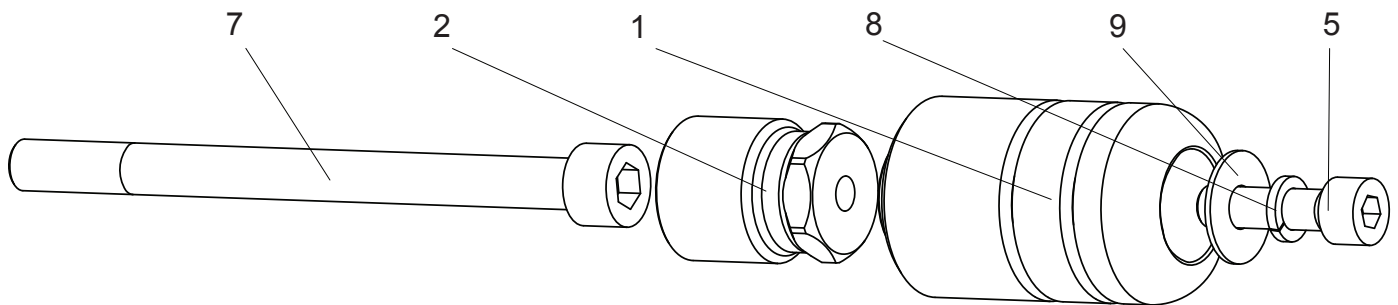


**[L]**



**[R]**



1. SLIDER PUCK [SDR-L10MFJ-M8] x 2
2. SLIDER BASE R
3. BOLT (SLIDER BASE)
4. SLIDER BASE L
5. SOCKET HEAD M8 x 30mm [SBT-M830] x 2
6. SOCKET HEAD M10 x 105mm (P-1.25) [SBT-M10105]
7. SOCKET HEAD M10 x 130mm (P-1.25) [SBT-M10130]
8. SPLIT WASHER M8 [SWS-8] x 2
9. WASHER M8L [WS-8L] x 2