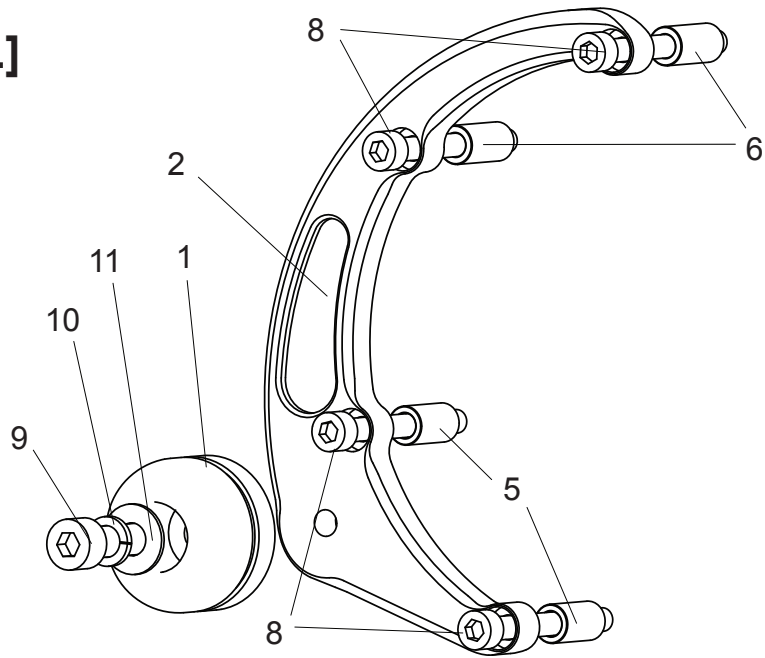
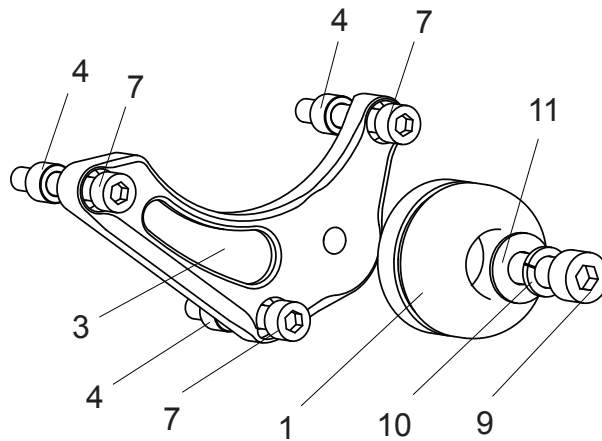


**[L]**



**[R]**



1. SLIDER PUCK [SDR-S8MFJ] x 2
2. SLIDER BASE [L]
3. SLIDER BASE [R]
4. COLLAR 7-6 [CLR-7-6] x 3
5. COLLAR 18-6 [CLR-18-6] x 2
6. COLLAR 20-6 [CLR-20-6] x 2
7. SOCKET HEAD M6 x 40mm [SBT-M640] x 3
8. SOCKET HEAD M6 x 50mm [SBT-M650] x 4
9. SOCKET HEAD M8 x 25mm [SBT-M825] x 2
10. SPLIT WASHER M8 [SWS-8] x 2
11. WASHER M8 [WS-8] x 2