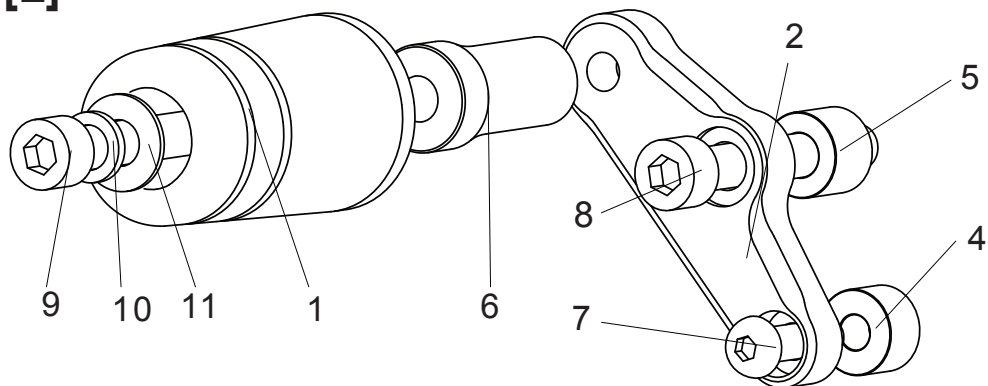
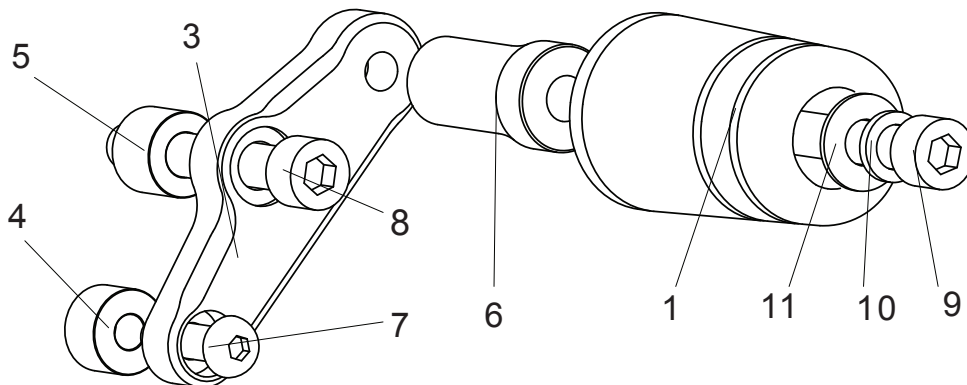


[L]



[R]



1. SLIDER PUCK [SDR-L10-85] x 2
2. [L] SLIDER BASE
3. [R] SLIDER BASE
4. COLLAR 12-8 x 2
5. COLLAR 15-10 x 2
6. COLLAR 50-10V x 2
7. BUTTON HEAD M8x30mm [BBT-M830] x 2
8. SOCKET HEAD M10x70mm (P-1.5) [SBT-M1070-15] x 2
9. SOCKET HEAD M10x85mm (P-1.25) [SBT-M1085] x 2
10. SPLIT WASHER M10 [SWS-10] x 2
11. WASHER M10 [WS-10] x 2