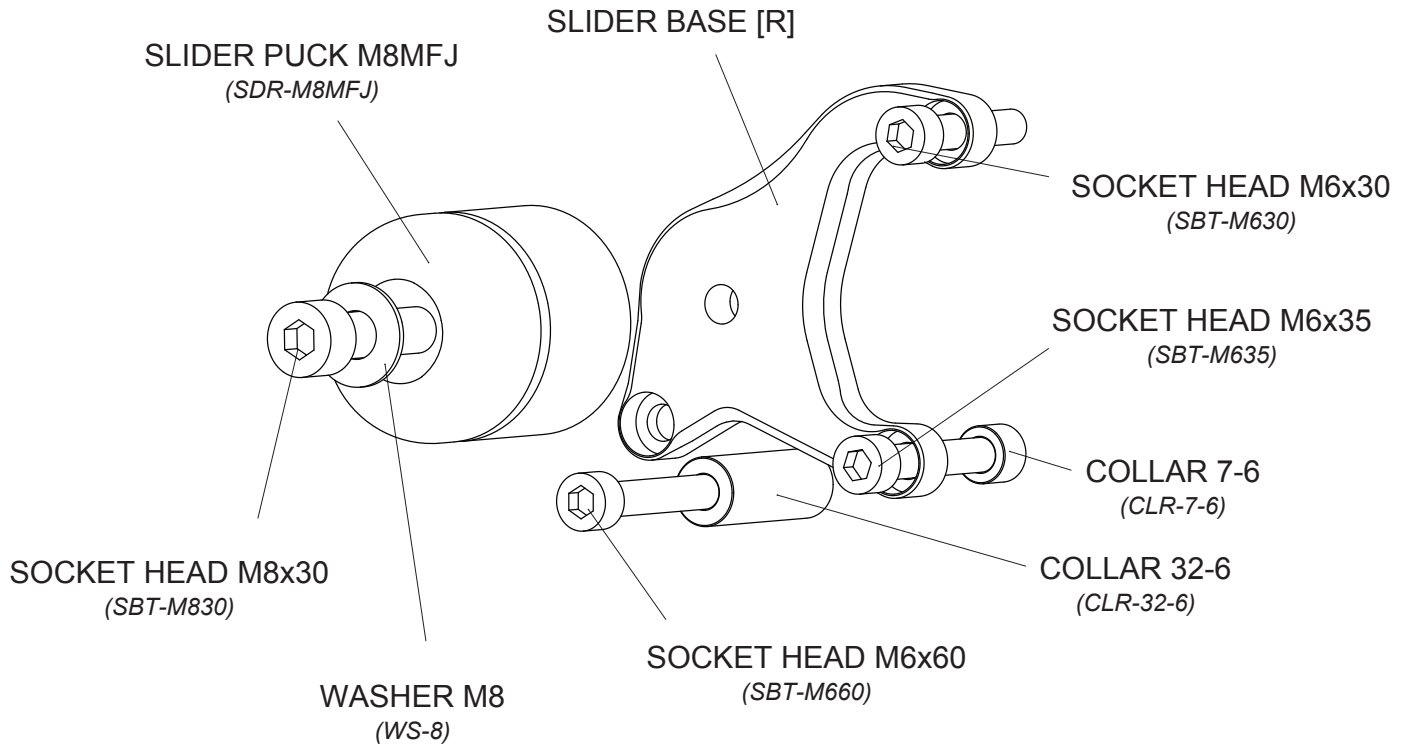




Triumph Daytona 675/R ('13-) ENGINE SLIDERS

[R] (part# T-67513ESR)



[L] (part# T-67513ESL)

