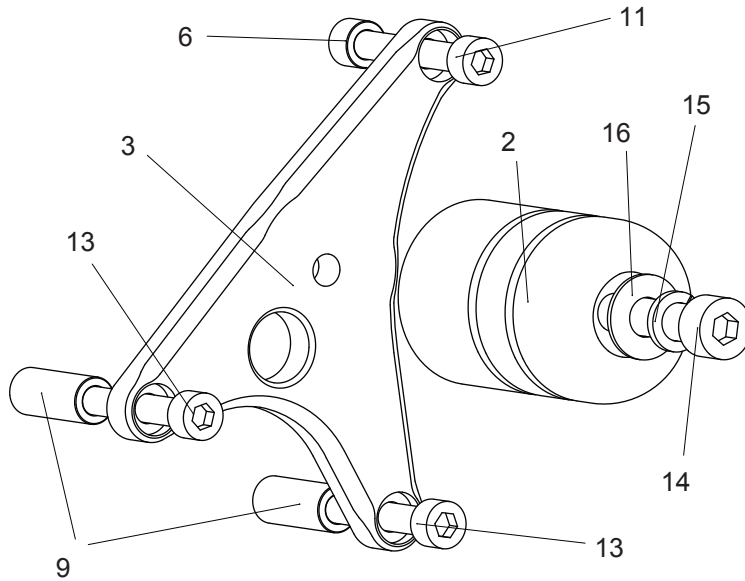


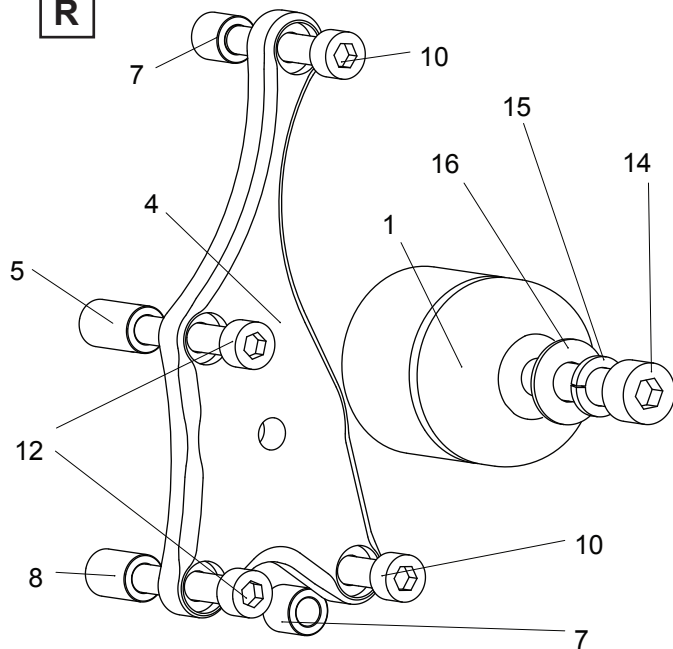
YAMAHA FZ-09 / MT-09 ('14-)
ENGINE SLIDERS

part# Y-MT09ES

L



R



1. [R] SLIDER PUCK [SDR-M8MFJ]
2. [L] SLIDER PUCK [SDR-L8MFJ]
3. SLIDER BASE [L]
4. SLIDER BASE [R]
5. COLLAR 15-6
6. COLLAR 7-6
7. COLLAR 10-6 (Qty:2)
8. COLLAR 15-6
9. COLLAR 25-6 (Qty:2)
10. SOCKET HEAD M6×35
11. SOCKET HEAD M6×40
12. SOCKET HEAD M6×50 (Qty:2)
13. SOCKET HEAD M6×60 (Qty:2)
14. SOCKET HEAD M8×35 (Qty:2)
15. SPLIT WASHER M8 (Qty:2)
16. WASHER M8 (Qty:2)