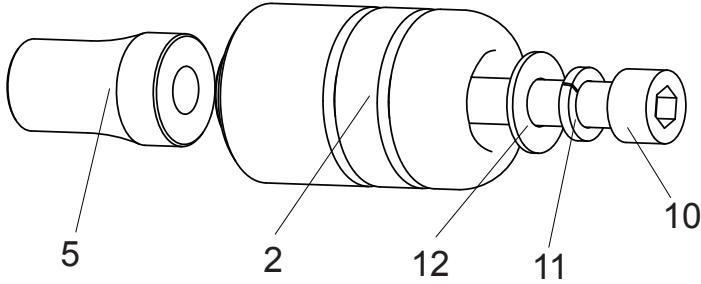
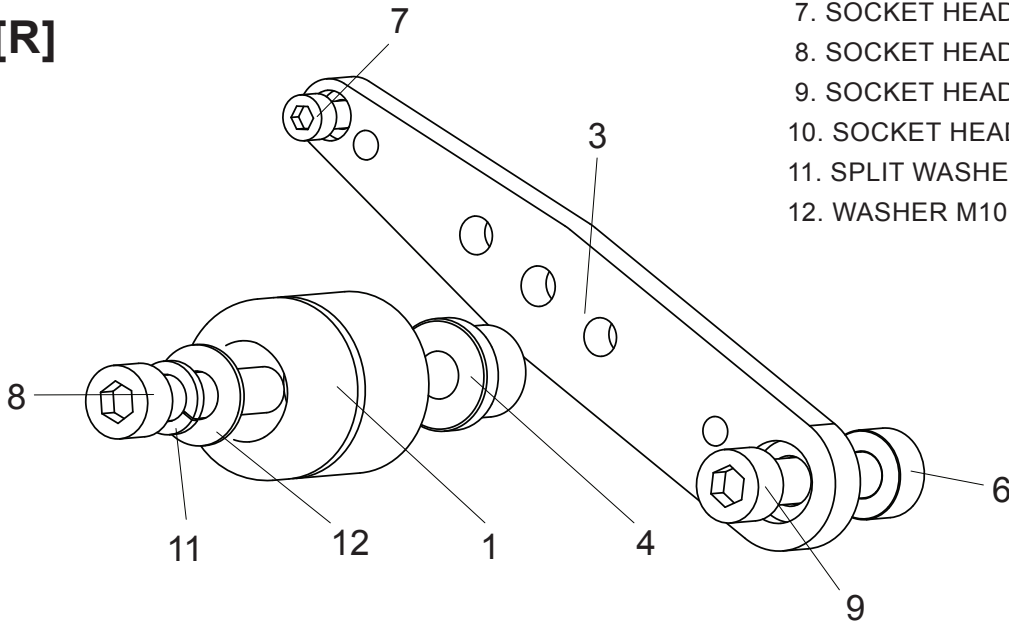


[L]



- 1. (R) SLIDER PUCK [SDR-M10MFJ]
- 2. (L) SLIDER PUCK [SDR-L10MFJ]
- 3. (R) SLIDER BASE [SDRB-YR617FS-R]
- 4. COLLAR 20-10V [CLR-20V-10]
- 5. COLLAR 40-10V [CLR-40V-10]
- 6. COLLAR 10-10 [CLR-10-10]

[R]



- 7. SOCKET HEAD M6x15mm [SBT-M615]
- 8. SOCKET HEAD M10x50mm (P-1.25) [SBT-M1050]
- 9. SOCKET HEAD M10x55mm (P-1.25) [SBT-M1055]
- 10. SOCKET HEAD M10x100mm (P-1.25) [SBT-M10100]
- 11. SPLIT WASHER M10 [SWS-10] x 2
- 12. WASHER M10 [WS-10] x 2