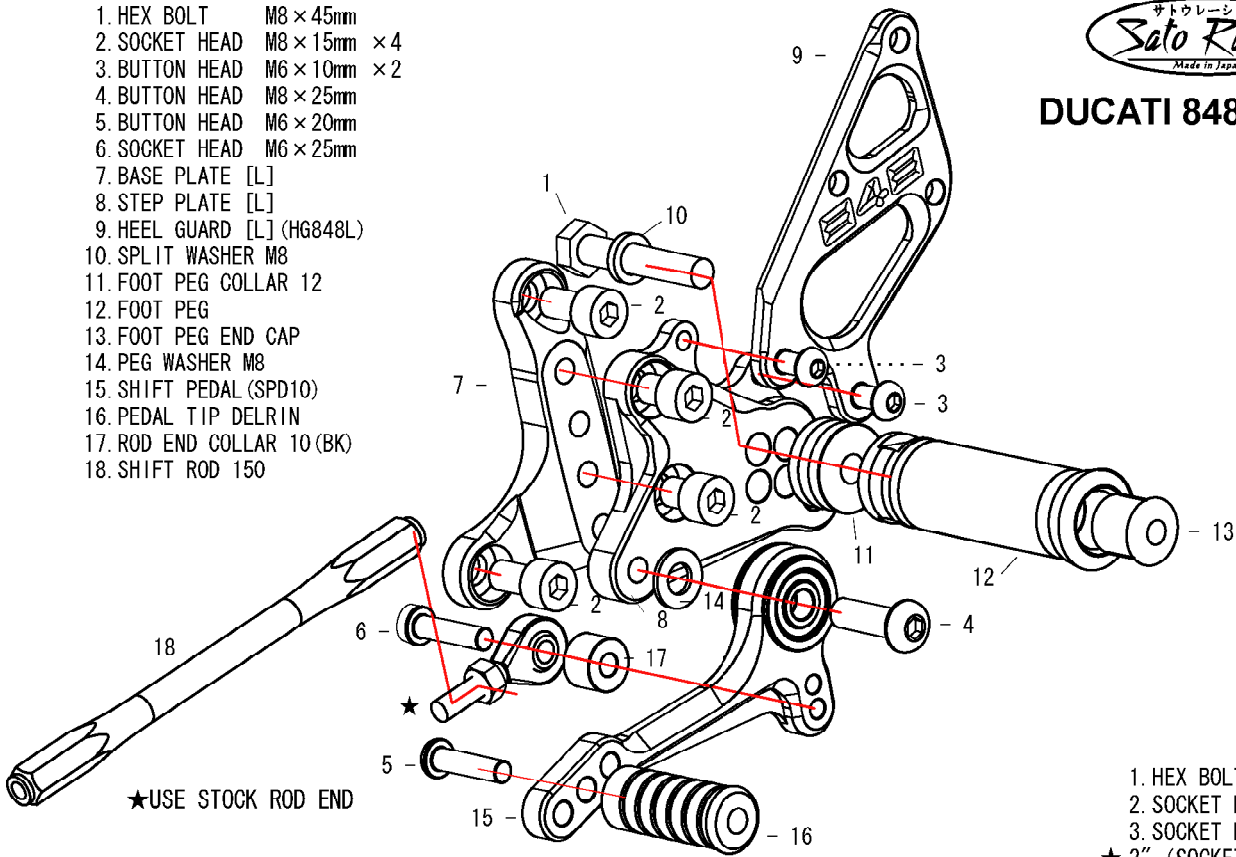


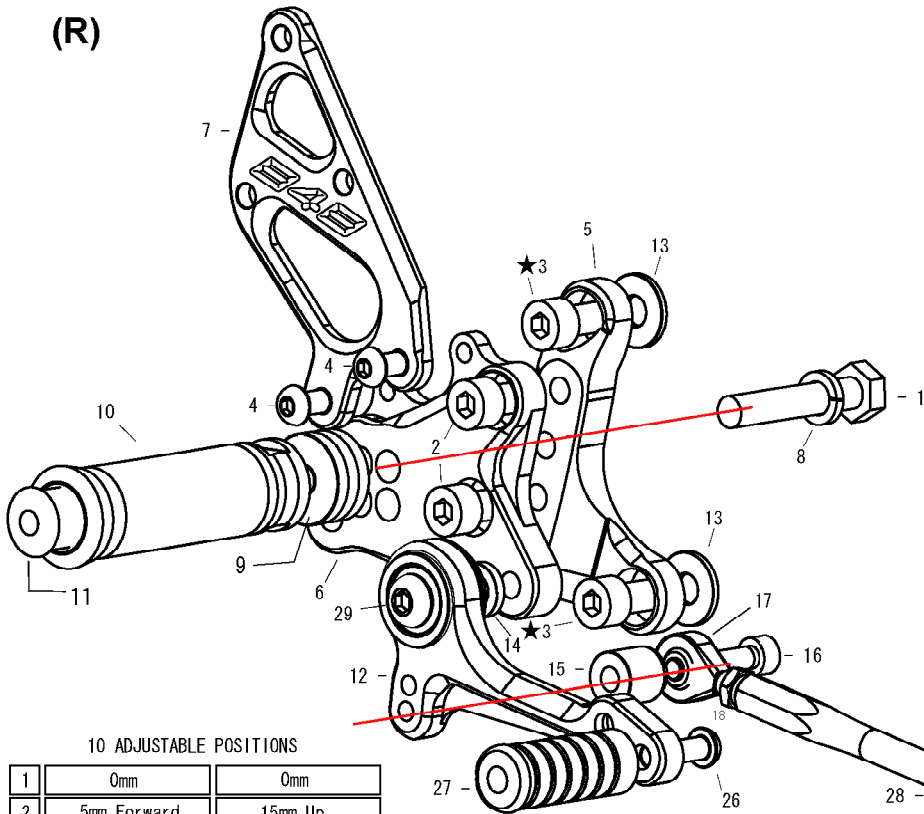
DUCATI 848 Type2 (L)

1. HEX BOLT M8 × 45mm
2. SOCKET HEAD M8 × 15mm × 4
3. BUTTON HEAD M6 × 10mm × 2
4. BUTTON HEAD M8 × 25mm
5. BUTTON HEAD M6 × 20mm
6. SOCKET HEAD M6 × 25mm
7. BASE PLATE [L]
8. STEP PLATE [L]
9. HEEL GUARD [L] (HG848L)
10. SPLIT WASHER M8
11. FOOT PEG COLLAR 12
12. FOOT PEG
13. FOOT PEG END CAP
14. PEG WASHER M8
15. SHIFT PEDAL (SPD10)
16. PEDAL TIP DELRIN
17. ROD END COLLAR 10 (BK)
18. SHIFT ROD 150



★USE STOCK ROD END

(R)

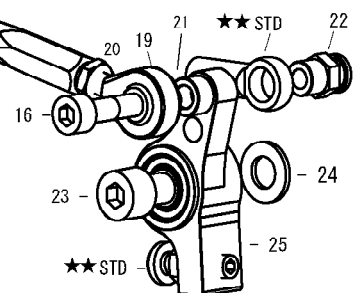


1. HEX BOLT M8 × 45mm
2. SOCKET HEAD M8 × 15mm × 2
3. SOCKET HEAD M8 × 15mm × 2
- ★ 3" (SOCKET HEAD M8 × 25mm × 2)
- ★ BASE PLATE COLLAR 10mm (BK) × 2
4. BUTTON HEAD M6 × 10mm × 2
5. BASE PLATE [R]
6. STEP PLATE [R]
7. HEEL GUARD [R] (HG848R)
8. SPLIT WASHER M8
9. FOOT PEG COLLAR 12
10. FOOT PEG
11. FOOT PEG END CAP
12. BRAKE PEDAL SS75 (BPD10)
13. BASE PLATE COLLAR 2 (BK)
14. BRAKE PEDAL COLLAR 3 (BK)
15. BRAKE ROD COLLAR 15 (BK)
16. SOCKET HEAD M6 × 30mm × 2
17. MALE REVERSE ROD END M6
18. REVERSE JAM NUT M6
19. MALE ROD END M6
20. JAM NUT M6
21. ROD END COLLAR 6
22. SPRING HOOK NUT
23. SOCKET HEAD M8 × 35mm
24. PEG WASHER M8
25. BRAKE LINK
26. BUTTON HEAD M6 × 20mm
27. PEDAL TIP DELRIN
28. BRAKE ROD 130
29. BUTTON HEAD M8 × 25mm

10 ADJUSTABLE POSITIONS

1	0mm	0mm
2	5mm Forward	15mm Up
3	10mm Forward	5mm Up
4	10mm Forward	15mm Up
5	15mm Forward	20mm Up
6	15mm Forward	30mm Up
7	20mm Forward	5mm Up
8	20mm Forward	15mm Up
9	25mm Forward	20mm Up
10	25mm Forward	30mm Up

★USE SOCKET HEAD M8 × 25mm AND
BASE PLATE COLLAR 10mm
FOR RACING KIT INSTEAD OF
SOCKET HEAD M8 × 15mm FOR #3.



★★USE STOCK PARTS