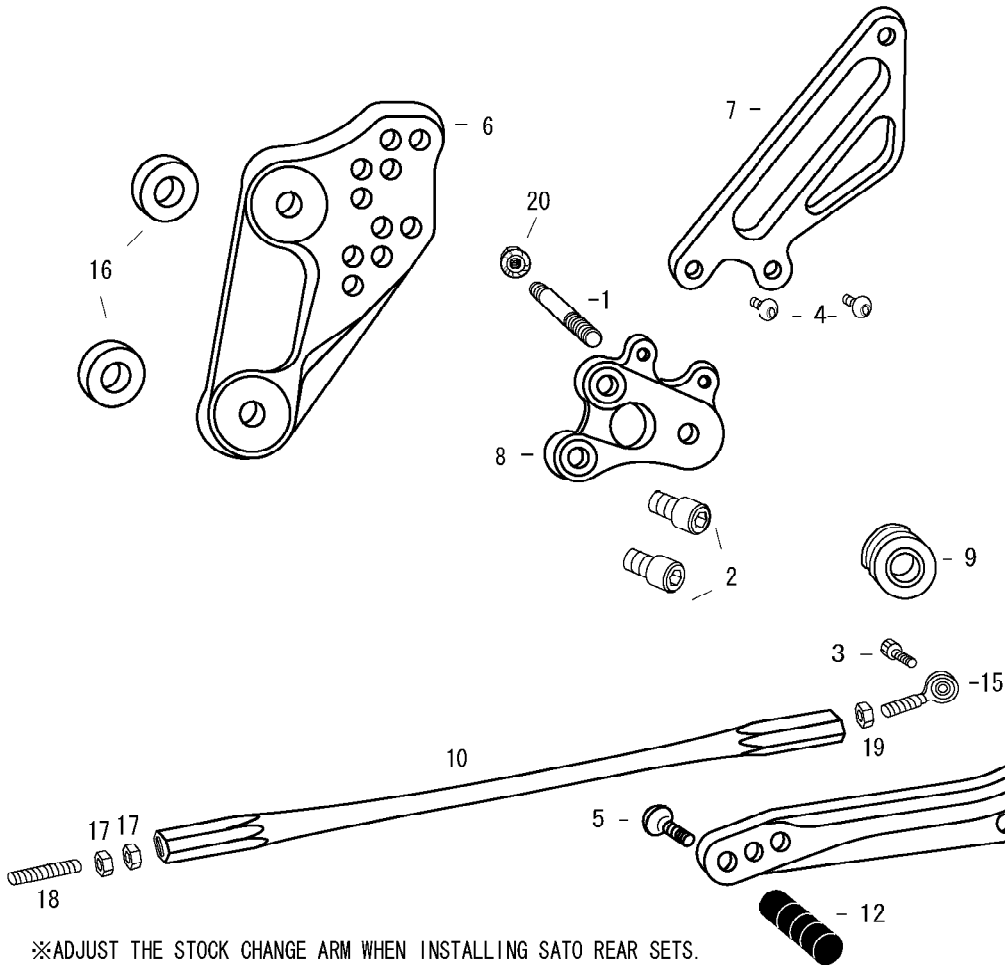


# GSF1200 / Bandit1200 / S (L)



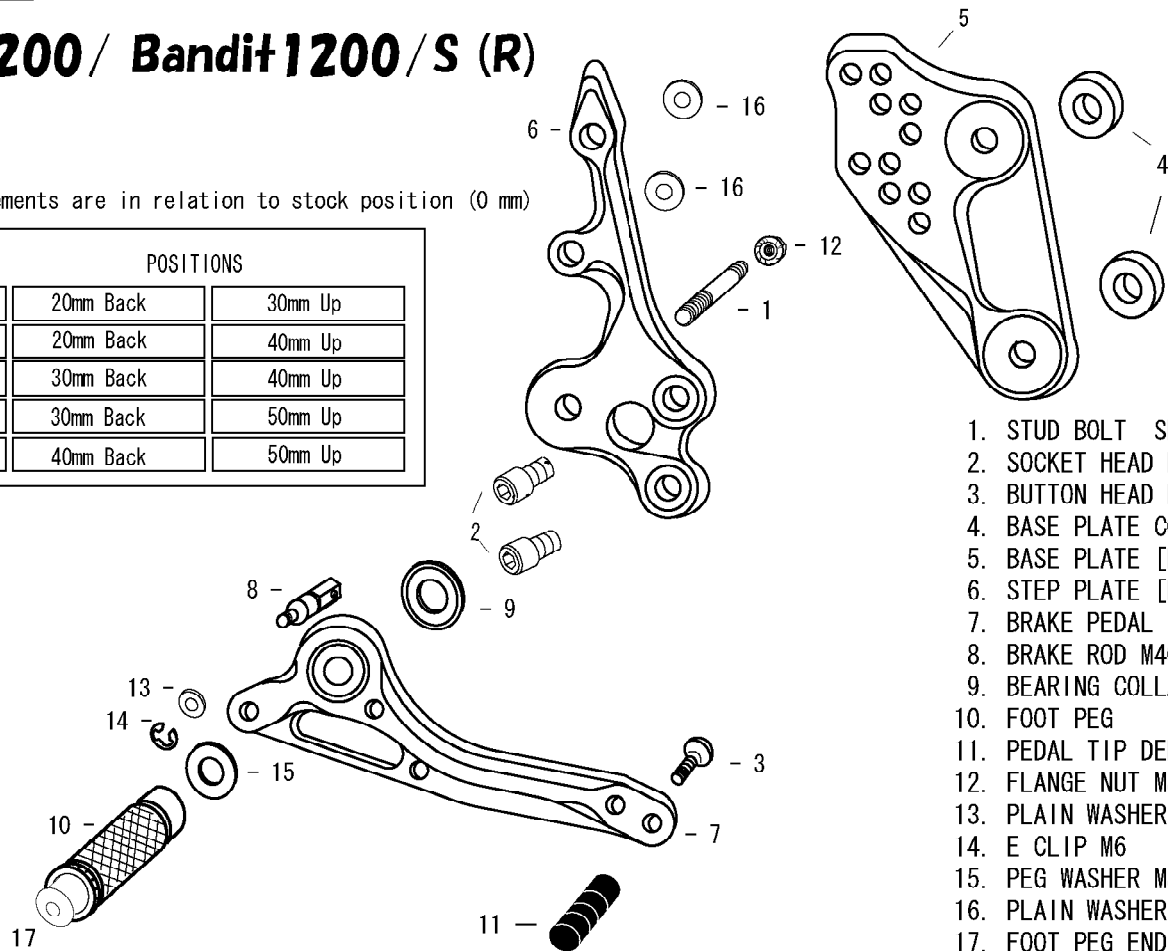
1. STUD BOLT LONG
2. SOCKET HEAD M8 × 15mm × 2
3. SOCKET HEAD M6 × 15mm
4. BUTTON HEAD M6 × 10mm × 2
5. BUTTON HEAD M6 × 20mm
6. BASE PLATE [L]
7. HEEL GUARD [L] (HG8)
8. STEP PLATE [L]
9. FOOT PEG BEARING COLLAR 10
10. SHIFT ROD 220
11. FOOT PEG
12. PEDAL TIP DELRIN
13. PEG WASHER M8
14. SHIFT PEDAL 70 (SPD2)
15. REVERSE MALE ROD END M6
16. BASE PLATE COLLAR 8 (BK) × 2
17. JAM NUT R6 × 2
18. STUD M6
19. REVERSE JAM NUT M6
20. FLANGE NUT M8
21. FOOT PEG END CAP



# GSF1200 / Bandit1200 / S (R)

All measurements are in relation to stock position (0 mm)

POSITIONS		
1	20mm Back	30mm Up
2	20mm Back	40mm Up
3	30mm Back	40mm Up
4	30mm Back	50mm Up
5	40mm Back	50mm Up



1. STUD BOLT SHORT
2. SOCKET HEAD M8 × 15mm × 2
3. BUTTON HEAD M6 × 25mm
4. BASE PLATE COLLAR 8 (BK) × 2
5. BASE PLATE [R]
6. STEP PLATE [R]
7. BRAKE PEDAL 130 (BPD7)
8. BRAKE ROD M40
9. BEARING COLLAR SUS
10. FOOT PEG
11. PEDAL TIP DELRIN
12. FLANGE NUT M8
13. PLAIN WASHER M6
14. E CLIP M6
15. PEG WASHER M8
16. PLAIN WASHER M8
17. FOOT PEG END CAP