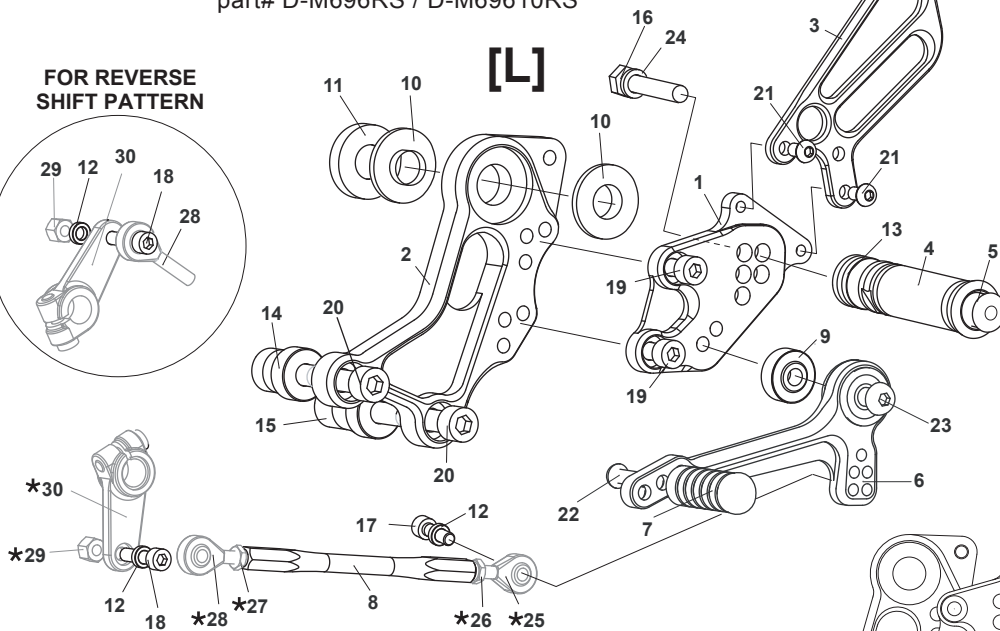
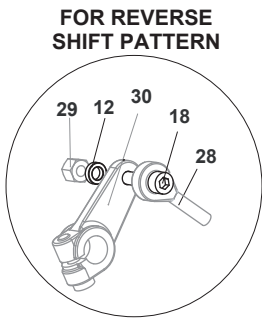


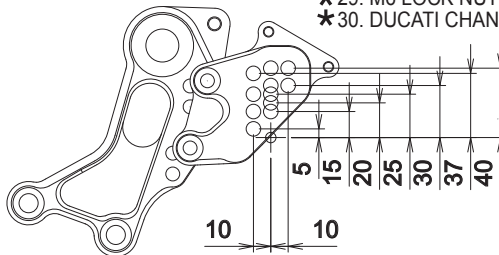
DUCATI Monster 696 ('08-'14) REAR SETS

part# D-M696RS / D-M69610RS



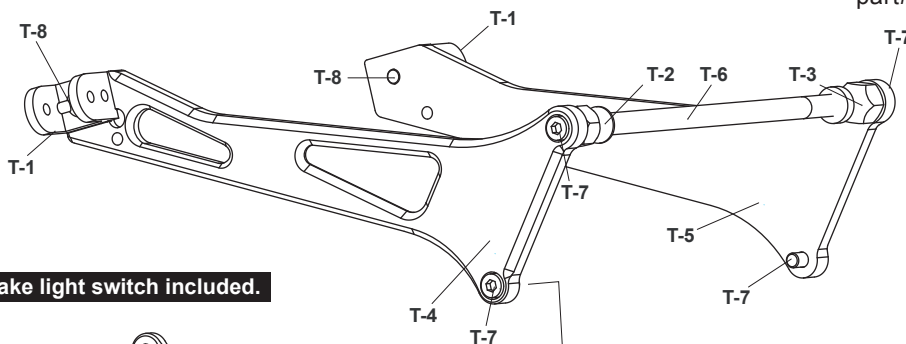
1. (L) STEP PLATE [D-696SP-L]
2. (L) BASE PLATE [D-696BP-L]
3. (L) HEEL GUARD [HG-6L]
4. FOOT PEG [PEG]
5. FOOT PEG END CAP [ST-002]
6. SHIFT PEDAL SCP65-75 [SPD-0912]
7. PEDAL TIP (DELRIN) [ST-001D]
8. SHIFT ROD 130 [SRD-130]
9. FOOT PEG BEARING COLLAR 10 [PEGBGCLR10]
10. COLLAR 3.5 (BK) [BPCLR-35D] x2
11. COLLAR 7.5 (BK) [BPCLR-75]
12. ROD END COLLAR 3(GD) [RDED-CLR3] x2
13. FOOT PEG COLLAR 12 [PEGCLR-12]
14. COLLAR 30 (BK) [CLR-30-10]
15. COLLAR 40 (BK) [CLR-40-10]
16. HEX BOLT M8-40mm [HBT-M840]
17. SOCKET HEAD M6-20mm [SBT-M620]
18. SOCKET HEAD M6-25mm [SBT-M625]
19. SOCKET HEAD M8-15mm [SBT-M815] x2
20. SOCKET HEAD M10-65mm (P-1.5) [SBT-M1065] x2
21. BUTTON HEAD M6-10mm [BBT-M610] x2
22. BUTTON HEAD M6-20mm [BBT-M620]
23. BUTTON HEAD M8-35mm [BBT-M835]
24. SPLIT WASHER M8 [SWS-8]
- *25. M6 MALE ROD END (STOCK)
- *26. M6 NUT (STOCK)
- *27. M6 REVERSE NUT (STOCK)
- *28. M6 MALE REVERSE ROD END (STOCK)
- *29. M6 LOCK NUT (STOCK)
- *30. DUCATI CHANGE ARM (STOCK)

Flat side of FOOT PEG BEARING COLLAR 10 (#9) should face STEP PLATE (#1), with the stepped side facing out toward pedal bearing.



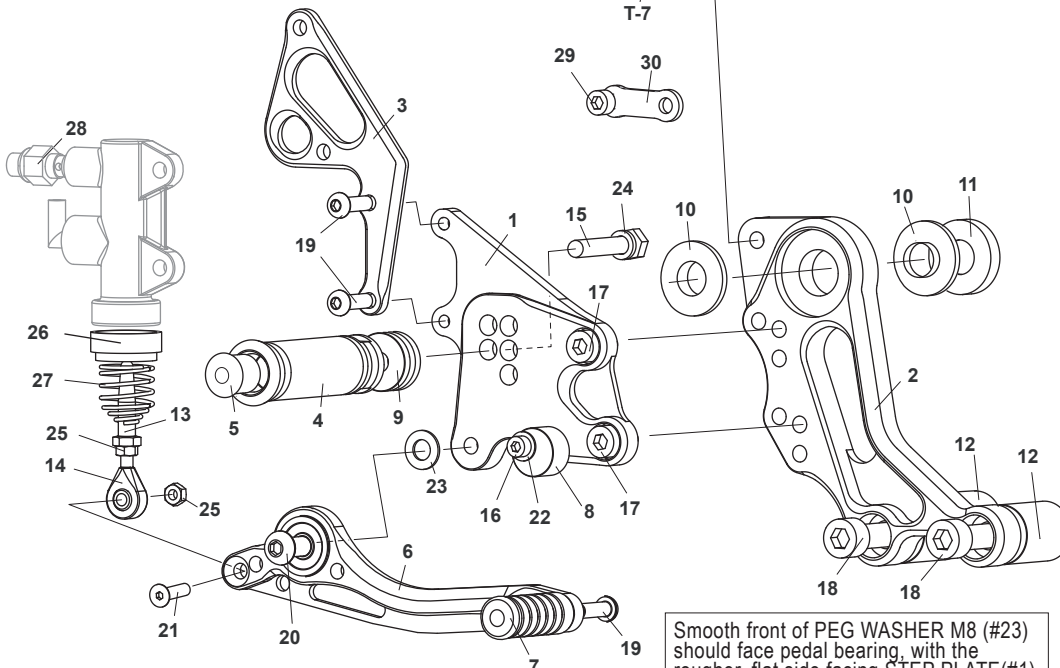
TANDEM BRACKETS (Optional)

part# D-MTB



- T-1. TANDEM HOLDER x2
- T-2. HEX21 L30 M12-M8
- T-3. HEX21 L35 M12-M8
- T-4. (R) TANDEM BRACKET
- T-5. (L) TANDEM BRACKET
- T-6. BOLT M12-265mm
- T-7. SOCKET HEAD M8-15mm [SBT-M815] x4
- T-8. BUTTON HEAD M8-15mm [BBT-M815] x2

P-1.0 brake light switch included.



1. (R) STEP PLATE [D-M696SP-R]
2. (R) BASE PLATE [D-M696BP-R]
3. (R) HEEL GUARD [HG-21R]
4. FOOT PEG [PEG]
5. FOOT PEG END CAP [ST-002]
6. BRAKE PEDAL 150-2 [BPD-14]
7. PEDAL TIP (DELRIN) [ST-001D]
8. BRAKE PEDAL STOPPER(BK) [BPD-STOPPER]
9. FOOT PEG COLLAR 12 [PEGCLR-12]
10. COLLAR 3.5 (BK) [BPCLR-35] x2
11. COLLAR 7.5(BK) [BPCLR-75]
12. COLLAR 33(BK) [CLR-33-10] x2
13. PUSH ROD(BK) [PRD]
14. MALE ROD END M5 [RDED-M5]
15. HEX BOLT M8-40mm [HBT-M840]
16. SOCKET HEAD M5-25mm [SBT-M525]
17. SOCKET HEAD M8-15mm [SBT-M815] x2
18. SOCKET HEAD M10-55mm (P-1.5) [SBT-M1055-15] x2
19. BUTTON HEAD M6-20mm [BBT-M620] x3
20. BUTTON HEAD M8-25mm [BBT-M825]
21. FLAT HEAD M5-20mm [FBT-M520]
22. WASHER M5 [WS-5]
23. PEG WASHER M8 [PWS-8]
24. SPLIT WASHER M8 [SWS-8]
25. NUT M5 [NUT-5] x2
26. RETURN SPRING COLLAR(BK) [RS-RSCLR]
27. RETURN SPRING 20 [RS-RSP2]
28. BRAKE LIGHT SWITCH P-1.0 [BSW-1]
29. SOCKET HEAD M6-10mm [SBT-M610]
30. UNIVERSAL BRACKET [UB-M625]

Smooth front of PEG WASHER M8 (#23) should face pedal bearing, with the rougher, flat side facing STEP PLATE(#1).