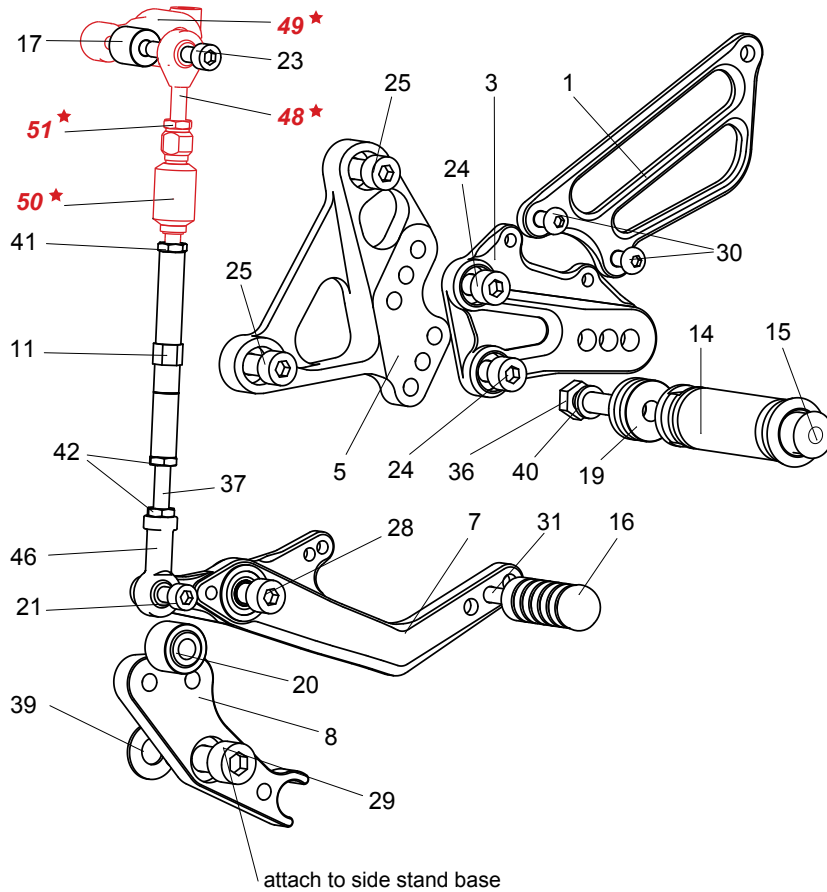


MV AGUSTA F3 ('12-)

(QUICKSHIFTER-EQUIPPED MODEL)

REAR SETS Part# MV-F312RSQ

[L]



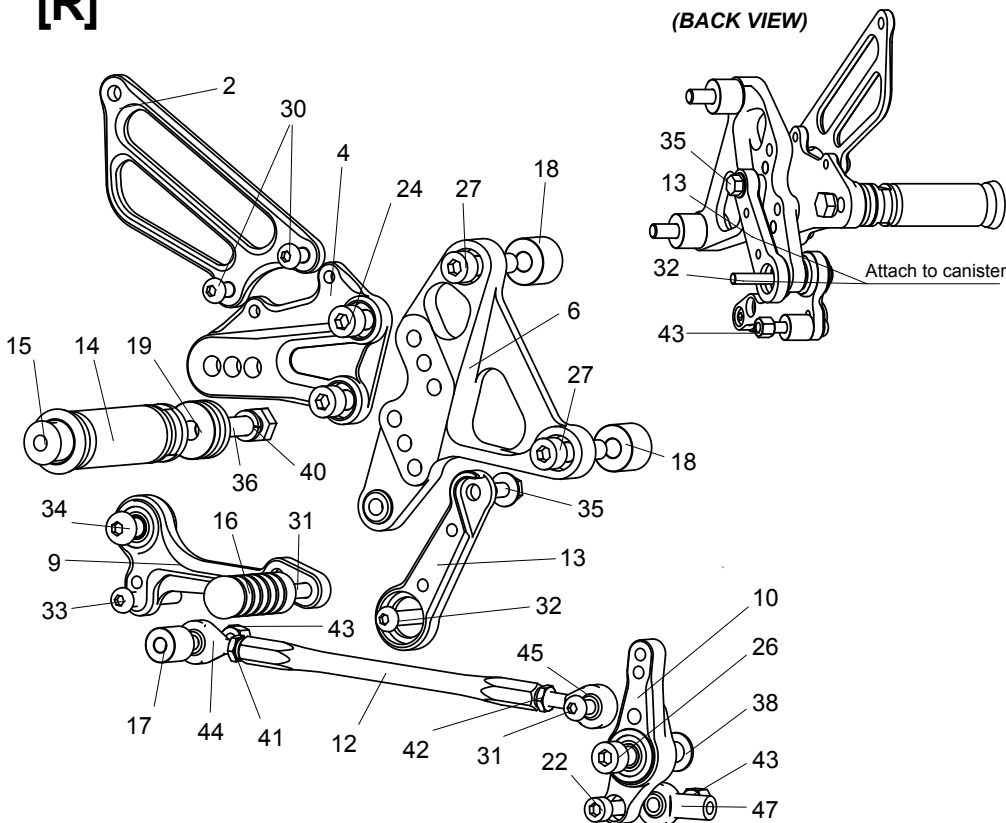
[L] SIDE

1. (L) HEEL GUARD [HG-2L]
3. (L) STEP PLATE [H-CBR109ASP-L]
5. (L) BASE PLATE [MV-F312BP-L]
7. SHIFT PEDAL [SPD-MV3-BK]
8. SHIFT BASE (BK) [SB-MV3]
11. SHIFT ROD 80 (BK) [SRD-80B]
14. FOOT PEG [PEG]
15. FOOT PEG END CAP [ST-002]
16. PEDAL TIP (DELRIN) [ST-001D18]
17. ROD END COLLAR 15 (BK) [RDEDCLR-15]
19. PEG COLLAR 12 [PEGCLR-12]
20. BEARING COLLAR 15(BK) [PEGBGCLR-15SB]
21. SOCKET HEAD M6×16mm [SBT-M616]
23. SOCKET HEAD M6×35mm [SBT-M635]
24. SOCKET HEAD M8×15mm [SBT-M815] (x2)
25. SOCKET HEAD M8×20mm [SBT-M820] (x2)
28. SOCKET HEAD M8×40mm [SBT-M840]
29. SOCKET HEAD M10×35mm (P-1.25) [SBT-M1035]
30. BUTTON HEAD M6×10mm [BBT-M610] (x2)
31. BUTTON HEAD M6×20mm [BBT-M620]
36. HEX HEAD M8×40mm [HBT-M840]
37. REVERSE STUD M6 [STUD-M6L]
39. WASHER M10 [WS-10]
40. SPLIT WASHER M8 [SWS-8]
41. JAM NUT M6 [JNT-6]
42. REVERSE JAM NUT M6 [JNT-6L] (x2)
46. FEMALE REVERSE ROD END M6 [RDED-F6L]

★ STOCK MV AGUSTA PART

48. REVERSE MALE ROD END M6
 49. SHIFT ARM
 50. QUICK SHIFTER SWITCH
 51. NUT

[R]



[R] SIDE

2. (R) HEEL GUARD [HG-2R]
4. (R) STEP PLATE [H-CBR109ASP-R]
6. (R) BASE PLATE [MV-F312BP-R]
9. BRAKE PEDAL [BPD-10]
10. BRAKE LINK (BK)
12. BRAKE ROD 150 (BK) [SRD-150B]
13. CANISTER BRACKET [CANBT-MV3]
14. FOOT PEG [PEG]
15. FOOT PEG END CAP [ST-002]
16. PEDAL TIP (DELRIN) [ST-001D18]
17. ROD END COLLAR 15 (BK) [RDEDCLR-15]
18. BASE PLATE COLLAR 15(BK) [BPCLR-15] (x2)
19. PEG COLLAR 12 [PEGCLR-12]
22. SOCKET HEAD M6×20mm [SBT-M620]
24. SOCKET HEAD M8×15mm [SBT-M815] (x2)
26. SOCKET HEAD M8×30mm [SBT-M830]
27. SOCKET HEAD M8×35mm [SBT-M835] (x2)
30. BUTTON HEAD M6×10mm [BBT-M610] (x2)
31. BUTTON HEAD M6×20mm [BBT-M620] (x2)
32. BUTTON HEAD M6×30mm [BBT-M630]
33. BUTTON HEAD M6×40mm [BBT-M640]
34. BUTTON HEAD M8×25mm [BBT-M825]
35. FLANGE HEAD M6×10mm [FGBT-M610]
36. HEX HEAD M8×40mm [HBT-M840]
38. SMALL WASHER [PWS-8]
40. SPLIT WASHER M8 [SWS-8]
41. JAM NUT M6 [JNT-6]
42. REVERSE JAM NUT M6 [JNT-6L]
43. LOCK NUT M6 [LNT-6] (x2)
44. MALE ROD END M6 [RDED-M6]
45. REVERSE MALE ROD END M6 [RDED-M6L]
47. FEMALE ROD END M6 SHORT [RDED-F6S]